

PRODUCT CATALOGUE

INDEX

A			
A/C Kits	1-12	Access Tees	83,86,8794,102
Amman	3	Adapter - bulkhead	90-91,102
ASV	3	Adapter "O" Ring to Flare	79
Bobcat	3	Adapter Flare to "O" Ring	79
Buhler	3	Adapter tube "O" to rotolock	79
Case Industrial	3	Adapters - Metric	79
Case Farm	11	Adapters - Rotolock to "O"ring	78
Caterpillar	3	Adapters - 134a vacuum pump	18
Champion	5	Aeroquip fittings	100-103
Daiwoo	5	Aeroquip hose	97
Dresser	5	Amman AC Kits	3
Fermac	5	Arctic Breeze 12V AC	224
Fiat	6	ASV AC Kits	3
Ford Industrial	6	Auxiliary Heaters	239-242
Ford Farm	11		
Gleaner	11	B	
Gradeall	6	Ball Valves	18
Hitachi	6	Beadlock Repair Kit	23
IHI	6	Binary Switch	109-110
International	11	Block Expansion Valves	122.124
JCB	6	Blower Assemblies	137-140
John Deere Industrial	7	Blower Housings	136
John Deere Farm	11	Blower Motors - Single Shaft	142-145
Kobelco	8	Blower Motors - Double Shaft	146-149
Komatsu	8	Blower Wheels	136
Kubota	9	Bobcat AC Kits	3
Liebherr	9	Bowden Cable	128
Linkbelt	9	Braze-on Barbs	80
Loadlifter	9	Buhler AC kits	3
Manitou	9	Bulb Clamp	121
Massey	11	Bulkhead - Adapters	90-91, 102
Moxy	9	Bulkhead - Couplers	90
New Holland Industrial	9	Bushings	132
New Holland Farm	11		
Sakai	10	C	
Samsung	10	Case Industrial A/C Kits	3
Sellick	10	Case Farm A/C Kits	11
Terex	10	Caterpillar A/C Kits	3
Thomas	10	Champion A/C Kits	5
Universal	12	Charge Port Caps	77,103
Volvo	11	Charging Hoses	17
White	12	Charging Scale	16
Zetor	12	Circuit Breaker	108

Clamps	104
Clutch Assemblies	
A-6 clutch assy.	72
Diesel Kiki	67
Sanden	62,64
York	75
Clutch Bearing	60
Clutch Tool	26
Compressors	
A-6 Compressor	71
Diesel Kiki	64-67
Hydraulic	71
Nippondenso	68-70
Sanden 5 cyl	27-32
Sanden 7 cyl	32-47
York	74
Comp A-6 Shaft Seal Kits	72
Compressor Adjuster Ears	76
Compressor Bearing	60, 72,75
Compressor Caps	80
Compressor Clutch Assemblies	62,64,68,72,75
Compressor Conversion Kits	76
Compressor Dust Shield	61
Compressor Field Coils	61,63,68,72,74
Compressor Gasket Kits	60,63,73,75
Compressor - Hydraulic	71
Compressor Mounting Plate	76
Compressor Service Valves	61
Compressors Shaft Seal Kit	60,63,73,75
Compressors Tail Plates	48-59
Condensers	189
Condensers Highway Truck	191-215
Condenser Assemblies	218
Condenser Fans	150
Condenser Fin Combs	18
Condenser Motors	142-145
Control Knobs	119-120
Control Valves	127-128
Conversion Mount	76
York to Sanden	
Core Tie Kits	151
Crimp Dies	24
Crimper	24
Crimper replacement parts	25
Cross Reference	244

D

Daiwoo A/C Kits	5
Decals	117-118
Defrost Fan	141
Diesel Kiki Compressor	64.67
Digital Scale	16
Drain Elbow	132
Drain Hose	131
Drain Tee	132
Drain Tube	131
Drain Tube Air Restrictor	132
Dresser A/C Kits	5
Driers	155-189

E

Eccentrics Aluminum	153
Electronic Temp Control	115
Evaporators	188
Evaporators Assy	219,220
Evaporator - Marine	222
Evaporators - Kysor	230-238
Evaporator Fin Combs	18
Expansion Valves- Block	122-124
Expansion Valves-External	125
Expansion Valves- Internal	126
Expansion Bulb Clamp	121

F

Fans	141
Fan Blades	141
Fan Mount Feet	151
Fans - Power	150
Farm Equipment A/C Kits	11-12
Fermac AC Kits	5
Ferrules	80
Fiat A/C Kits	6
Filter	153
Filter - Pressurizer	151-152
Fin Combs	18
Fittings - Aeroquip	100-103

Fittings - Aluminum Flare	81
Fittings - Aluminum "o" Ring	81-82
Fittings - Aluminum Bulkhead	91
Fittings - Alum w/134a Access	83
Fittings - Bulkhead Adapter	91
Fittings - Inline Pressure Access	95
Fittings - GM header	95
Fittings - Steel	93-94
Flex tubing	131
Flex tubing Adapters	135
Flush Gun Kit	19
Ford Industrial A/C Kits	6
Ford Farm A/C Kits	11
Fuse Holder	107
Fuses	107

G

Gauge sets	17
GM Expansion Tube Kit	121
Gleaner A/C Kits	11
Grommets	132
Gradeall A/C Kits	6

H

Heater Accessories	129
Heater Blanket	25
Heater Cable	128
Heater Control Valves	127-128
Heater Elbow Rubber	130
Heater Hose	130
Heater Splice	130,132
Heaters	239-243
Hitachi A/C Kits	6
Hose - Heater	130
Hose - Refrigerant	96-97
Hose Clamps	104
Hose Cutters	26
Hose Adapters	135
Hose Wrap	131
Hydraulic Compressor	71
Hydraulic Heavy Duty A/C Unit	221

I

Idler Pulleys	154
IHI A/C Kits	6
Insulation Tape (tar tape)	131
International Farm A/C Kits	11

J

JCB A/C Kits	6
John Deere Industrial A/C Kits	7
John Deere Farm A/C Kits	11

K

Kobelco AC Kits	8
Komatsu A/C Kits	8
Knobs - plastic	119-120
Kubota AC Kits	9
Kysor Components	225-243
KC500 Condenser	226
Super Air Cond.	227
Super Air Plus Cond	227
KC110 Condenser	228
KC-1000 Condenser	228
HD 1000 A/C System	229
KA-200 Evap	230
Slimline Headliner Evap	231
KA700 Sidekick Evap	232
KA 7100 Headliner	233
KA-7300 Headliner	234
Ford "L" Kombo	235
Hardhat Headliner	236
Slimline Kombo	237
Backpack Kombo	238
KH-150 Heater	239
KH200 Heater	240
KH300 Heater	241
KH900 Heater	242
HP-1000 Heater	243
Pressurizer	

L

Label - retrofiting	25
Leak Detectors	21

Liebherr A/C Kits	9
Linkbelt A/C Kits	9
Loadlifter A/C Kits	9
Louvers	133-135

M

Manifold Gauges	17
Marine AC Systems	222,223
Marine Condenser	190
Manitou AC Kits	9
Massey A/C Kits	11
Methyl Hydrate	16
Motors- Single Shaft	59-145
Motors - Double Shaft	146149
Mount, Compressor	76
Moxy AC Kits	9

N

New Holland Industrial A/C Kits	9
New Holland Farm A/C Kits	11
Nippondenso Compressor	68-70
No- Idle Arctic Breeze AC	224

O

Oil - PAG	26
O Rings	19, 80
Oil Injector	18
Orifice Tube	121

P

Pag Oil	26
Part Number Index	254
Pliers Aeroquip	103
Power Fans	150
Pressure Relief Valve	72
Pressurizer Blower	151
Pressure Switch Adapter fitting	95
Pressure Switches - Binary	109-110
Pressure Switches High/Low	113
Pressure Switches - Trinary	111-112
Pulley – Idler	154

Q

Quick Couplers	17
Quick Disconnects	85

R

Receiver Driers	155-187
Recovery Systems	14-15
Refrigerant Cylinders	25
Refrigerant Hose	96-97
Relay	107
Remote Mount Condensers	218,226-228
Resistors	107
Retro Fit Service Port Adapter	77
Rooftop 12V AC	223
Rotolock Adapters	79
Rotolocks	78
Rubber Bushings	132

S

Sakai AC Kits	10
Samsung AC Kits	10
Sanden Compressor	27-47
Sanden Tail plates	48-59
Scale	16
Sellick AC Kits	10
Seltec fittings- bolt on	68
Service Couplers	17
Service Valve	78
Sight Glass	186
Spacers	153
SP-15 (PAG) Oil	26
Splices 90°	83,86,92,102
Splices Straight	82-83,86,92,102
Splices Tee	83,86,102
Splice Tee - Steel	83,102
Switches	105-106

T

Temperature Controller	115
Terex AC Kits	10
Thermal Limiter	108
Thermometer	19

Thermostat	114
Thomas A/C Kits	10

Trinary Switch	111-112
Truck AC	224
Tubing- Flex	131

U

Universal Farm A/C Kits	12
U.V. Dye	20
U.V. Dye Cleaner	20
U.V. Dye Injector Gun	20
U.V. Leak Detection System	21

V

Vacuum Pump	16
Vacuum Pump Adapters	18
Vacuum Pump Oil	16
Vacuum Pump Gauge	19
Valve Cores	77
Valve Core Tools	18,103
Volvo A/C Kits	11

W

Water Valves	127-128
White Farm A/C Kits	12

Y

York to Sanden	76
Conversion Mount	
York Compressor	74

Z

Zetor A/C Kits	12
----------------	----



TEL # 519-485-5961 / 1-800-267-2665
FAX # 519-485-3745 / 1-888-267-3745

TERMS AND CONDITIONS OF SALE

PAYMENT TERMS Net 30

F.O.B. Arctic Wolf™ Plant

FREIGHT Prepaid to one destination on orders of \$5000.00 or more.* Prepaid and billed back on orders below this minimum

RE-STOCKING FEE There is a 15% fee for items returned to stock. All returns must be in original packaging and a copy of the original purchase invoice to accompany the return.

PARTS WARRANTY Arctic Wolf™ offers a 60 day limited warranty replacement on defective parts and materials from date of purchase. Compressors have a one (1) year limited warranty providing all guidelines are adhered to during installation. Improperly installed or misused parts and materials will void all warranties. All defective parts or materials must be returned to Arctic Wolf™. After receiving our authorization for return and appropriate shipping instructions, the buyer must ship the material prepaid with all transportation charges assumed by the warranty claimant within thirty (30) days of the vehicle repair. Should our inspection disclose any alteration, misuse, or damage caused by abuse or the use of improper tools for installation, service or maintenance, the limited warranty will be void. Arctic Wolf™ does not warranty or make any representations for its products not installed in accordance with either Arctic Wolfs™ instructions or the instructions provided by the original manufacturer.

WARRANTY CLAIM PROCEDURE

- Warranty registration forms for A/C kit purchases **must** be completed and the white copy returned to Arctic Wolf™, yellow copy retained by the dealer and the pink copy goes to the end users of the equipment.
- Analyze air conditioning problem and determine repairs required.
- Please reference warranty registration number when calling for warranty.
- Parts replaced under warranty will be billed to the receiver at the time the parts are shipped. Warranty items must be returned to Arctic Wolf™ **freight prepaid** within thirty (30) days of receipt of replacement item. A copy of the original invoice or replacement invoice must be included with the returned parts. A credit will be issued upon inspection of the returned parts if applicable under warranty. All components need to be capped or sealed in an appropriate manor eliminating dirt and moisture contamination.
- No allowance will be made for mileage, travel time, down time, and/or related expenses.
- All claims are subject to review and verification at the discretion of Arctic Wolf™ Total warranty claim(s) can not exceed the cost of the part and/or system purchased.

*- Does not include Arctic Breeze systems.



TEL # 519-485-5961 / 1-800-267-2665
FAX # 519-485-3745 / 1-888-267-3745

**ARCTIC WOLF™
AFTERMARKET
AIR CONDITIONING
KITS**



AIR CONDITIONING KITS

As a designer and system developer, Hammond Air Conditioning Ltd. has a reputation of being able to air condition “anything with a cab and an engine”. Supplying dealers with air conditioning kits and installations for such brand names as Caterpillar, John Deere, Komatsu and Liebherr, just to name a few, we have become recognized as one of the premiere mobile equipment air conditioning companies in Canada.

The kits are designed with completely integrated evaporators and controls, when available. Most systems utilize a condenser mounted in the engine fan airflow. The condensers are designed as multiple cross-over assemblies with rifled tubes and steel end flanges for strength. Our own heavy duty condenser is designed for the most severe conditions, such as forestry and landfill applications, with a 1/4” plate construction case and heavy gauge sides. Most systems are designed for the integrated ‘factory’ styled appearance and function desired by the majority of our customers. With our own in-house product development teams we have possibly the shortest turn-around time for providing air conditioning systems for new machines to the market.

We believe in an on-going process of product development and a commitment to continuous improvement. This is evident in all our systems as we design them with the end user, service technician and installer in mind. All of our systems are developed from our own field installations and include all components required. Whenever possible we pre-assemble as much of the system as possible and test them prior to shipping from our facilities.



TEL # 519-485-5961 / 1-800-267-2665
 FAX # 519-485-3745 / 1-888-267-3745

AMMANN

AP240 Roller

ASV

RC 60 SKIDSTEER

BOBCAT

X337 Excavator
 S130 Skidsteer

BUHLER

B56 LOADER

CASE

BACKHOES

Case 570 XLT
 Case 570MXT
 Case 580K/Super K
 Case 580L/590 Super II
 Case 580L/590 Super L
 Case 580M Backhoe
 Case 580M Series 2
 Case 580M Series 3

DOZERS

Case 1150E
 Case 1150G
 Case 1150H
 Case 550G
 Case 850G
 Case 855D

EXCAVATORS

Case 9010
 Case 9010B
 Case 9020
 Case 9020B
 Case 9020B Drop in Evap
 Case 9030
 Case 9030B
 Case 9030B '99 and newer
 Case 9040B
 Case 9050B

CASE con't

LOADERS

Case 221D-2
 Case 321D -2
 Case 321E
 Case 521D/621D
 Case 521D/621D Tier II
 Case 621 B
 Case 621 B electric cond
 Case 621 C
 Case 721
 Case 721B
 Case 721C electric
 Case 721C rad
 Case 821B
 Case 821C rad

SKIDSTEER

Case 40XT H/C
 Case 60XT H/C
 Case 70XT H/C
 Case 70XT A/C only
 Case 75XT H/C
 Case 40/60XT Heat only
 Case 85 /90/95XT H/C
 Case 90XT heat only
 Case 410 w fact heat
 Case 410 w/o fact heat
 Case 435 w fact heat
 Case 435 w/o fact heat
 Case 440
 Case 445/455/465 Tier II

FORKLIFT

Case 586/588G
 Case 586/588G III

MINI EXCAVATOR

Case CX36B

CATERPILLAR

ARTICULATED DUMP TRUCK

Cat D250D Rock Truck
 Cat D250E
 Cat D350E
 Cat D400D



TEL # 519-485-5961 / 1-800-267-2665
 FAX # 519-485-3745 / 1-888-267-3745

CATERPILLAR con't

BACKHOES
Cat 416C / 426C
Cat 416D Tier II
Cat 416/420D
Cat 420/430D
Cat 420/430D Tier II
Cat 416/420/430E
SKIDDER / COMPACTOR
Cat 518
Cat 525
Cat 816B Electric
Cat 825G
Cat 826C
Cat 826C Electric
CRAWLER LOADER
Cat 943
Cat 953
Cat 953B
Cat 953C
Cat 963 Electric only
Cat 963B
Cat 963C RAD
DOZERS
Cat D3C/4/5III Electric condenser only
Cat D4CIII Rooftop H/C
Cat D4H Electric only
Cat D5H W/ Electric
Cat D5H W/Rad Condenser
Cat D5M W/ HD Electric
Cat D6D Electric SPLIT
Cat D6D headliner electric condenser
Cat D6H HD Electric
Cat D6H Rad Condenser
Cat D6M Rad Condenser
Cat D6M W/HD Electric
Cat D6R HD Electric Condenser
Cat D6R Rad Condenser
Cat D7G H/C
Cat D7H W/HD Electric
Cat D7H W/Rad Mount Condenser
Cat D7R
Cat D8N Rad Cond
Cat D8N W/HD Electric
Cat D8R
Cat D9L
Cat D9N W/HD Electric

CATERPILLAR con't

EARTH SCRAPERS
Cat 615C Series II
Cat 615C Series II w/ aftermarket cab
Cat 621E/623E
Cat 621F
Cat 627F w/ factory heat
Cat 627F w/o factory heat
EXCAVATORS
Cat 235
Cat 245
Cat 307B
Cat 307C
Cat 311 / 312 Plastic
Cat 311 / 312B Denzo
Cat 311 / 312
Cat 311 / 312BL Plastic
Cat 313 BCR
Cat 315B Rad
Cat 315B With Elect
Cat 315L Plastic
Cat 320 B/L Plastic
Cat 320B Denzo
Cat 322B Steel Box
Cat 322B With Elect
Cat 325L Plastic
Cat 325L Steel box
Cat 330L Plastic
Cat 330L Steel
GRADER
Cat 12H
Cat 14G*
Cat 14G/16G/140G drop in evap
Cat 14H
Cat 140G*
Cat 140H Tier I
Cat 140H s/n CCA Hydraulic fan
Cat 143H
LOADER
Cat 926E
Cat 928G Series II
Cat 936F
Cat 938F
Cat 950 B/D/E/F
Cat 950FII / 960FII
Cat 950G
Cat 950G W/Elect



TEL # 519-485-5961 / 1-800-267-2665
 FAX # 519-485-3745 / 1-888-267-3745

CATERPILLAR con't

Cat 950G Tier II
Cat 962G
Cat 966C rooftop
Cat 966 FII
Cat 966D/E/F
Cat 966G
Cat 966G Seires II
Cat 980C
Cat 980G
Cat 988B / F
Cat 988B rooftop
Cat IT 14B
Cat IT14F/914F
Cat IT14G/914G Electric
Cat IT14G/914G Tier 2
Cat IT18B/918B
Cat IT18FII/918FII
Cat IT24FII/924FII
Cat IT24G/924G
Cat IT28F/928F
Cat IT28G/928G
Cat IT28G/928G W/Ele
Cat IT38G/938G
Cat IT38G/938G W/Ele
MINI EQUIPMENT
Cat 226 Skidsteer H/C
Cat 236 Skidsteer
Cat 246 Skidsteer
Cat 248 Skidsteer
Cat 262 Skidsteer
Cat 277 Skidsteer H/C
Cat 246B Skitsteer
Cat 252B Skitsteer
Cat 262B Skidsteer
Cat 267B Skidsteer
Cat 268B Skidsteer
Cat 287B Skidsteer
Cat 302.5 Excavator
Cat 303CR Excavator
Cat 304.5 Excavator
Cat 305 CR Excavator
Cat 902 Loader
Cat 904B Loader
Cat 906 w/3034 eng
Cat 906 mitsubishi eng
Cat 908 w/3054T eng
Cat 908 mitsubishi eng

CATERPILLAR con't

ROCK TRUCKS
Cat 769C Rock Truck
Cat 769D/771D Rock Truck
Cat 773B Rock Truck
Cat 777 Rock Truck
Cat 777 Heat/Cool
Cat 777 B/C
Cat 777D Rock Truck
MISC
DP 115 Forklift
DP135 Forklift
EL200B
TH103 Telehandler
TH220B Telehandler
TH360/460B/560B Telehandler
Cat CS 563E Roller
Cat M 318 Rubber Tired Excavator
CHAMPION
Champion Grader 12v
Champion Grader 24v
Champion Grader 760
DAIWOO
D80L Dozer
DRESSER
540 Loader
545 Loader
560B Loader
726 HAULPACK
TD12 Dozer
TD15E Dozer Rooftop
TD15E Dozer H/D Elect
FERMAC
660B BACKHOE
FIAT
FR 15B Loader
FR 130 Loader
FR 30 Loader
Fiat Allis 945B



TEL # 519-485-5961 / 1-800-267-2665
 FAX # 519-485-3745 / 1-888-267-3745

FORD
BACKHOE
Ford 545D
Ford 555/575E/655/675
GRADEALL
EXCAVATORS
Grade all XL-3100/ 4100 Hydraulic compressor
Grade all XL-4100
Grade All XL-4100-II Lower
Grade all XL-5210
HITACHI
EXCAVATORS
Hitachi EX110-5
Hitachi EX120-2
Hitachi EX160-5
Hitachi EX 200
Hitachi EX200 Zaxus
Hitachi EX200LC1
Hitachi EX200LC3
Hitachi EX200LC5
Hitachi EX 300 LC 3
Hitachi EX400 LC1
Hitachi EX400 LC 1 Issuzu engine
Hitachi EX 300 LC3 HA600
Hitachi EX 400 LC3 HA600
Hitachi EX 450 LC5 HA600
Hitachi EX230 LC5
Hitachi EX270 LC5
IHI
EXCAVATORS
35N
35NX
35NX-2
45N
45NX I cab
45NX J cab
55N J Cab
55N I Cab s/n >690
65NX
CARRIER
IC45

JCB
BACKHOE
JCB 212SL
JCB 212SU
JCB 212 Tier II
JCB 214 III
JCB 214E
JCB 214 Series IV
JCB 214 Series IV Tier II
JCB 2CX w / JCB engine
JCB 3CX w / JCB engine
EXCAVATOR
JCB JS130
JCB JS160
JCB JS200
LOADER
JCB 407B / 409B
JCB 416B
JCB 436B
TELESCOPIC MATERIAL HANDLER
JCB 506C / 508C
JCB 520
JCB 520-40
JCB 524-50
JCB 530
JCB 530/532 Tier II
JCB 531-70T w/ jcb engine
JCB 535-140 w/jcb engine
JCB 550-140 w/jcb engine
JCB 540
JCB 550
JCB 550 Tier II
MINI EXCAVATOR
JCB 8032 ZTS
JCB 8052
JCB 8060
SKIDSTEER
JCB 160/170 Robot
JCB 1105 Skidsteer
JCB 1110 Robot
JCB 190T/1110T Series II

KOBELCO
MINI EXCAVATOR

Kobelco 35SR-3

KOMATSU
DOZER

Komatsu D21-E7 H/C

Komatsu D38E Heater Assy.

Komatsu D38E-1

Komatsu D39EX-21 after market cab

Komatsu D41E-6

Komatsu D65EX-12

Komatsu D65EX-12 Rops Cab

EXCAVATOR

Komatsu PC60-7B

Komatsu PC 75 UU2

Komatsu PC 75 UU3

Komatsu PC 75R **

Komatsu PC95-1

Komatsu PC120 LC6 Komatsu engine

Komatsu PC120 LC6 W/Jap Engine

Komatsu PC 150 LC5

Komatsu PC 150 LC6

Komatsu PC 200 LC5

Komatsu PC 200 LC5 W/Electric Condenser

Komatsu PC 200 LC5 H/C

Komatsu PC200LC6 Cummins

Komatsu PC 200 LC6 Eagle Box

Komatsu PC 200/220 LC6 Cummins/Denzo

Komatsu PC 200/220 LC6 Jap / Small Heater

Komatsu PC 220 LC3

Komatsu PC 220 LC5

Komatsu PC250 LC6 Jap/Small heater

Komatsu PC300LC3

Komatsu PC 300LC5 K

Komatsu PC300LC5 C

Komatsu PC 300 LC6 Eagle / Cummins

Komatsu PC 300 LC6 Cummins/Nippondenzo

Komatsu PC 300 LC6 Jap/ Small Heater

Komatsu PC400 LC3

Komatsu PC 400 LC3 W/ Electric

Komatsu PC 400 LC3 High Rise / Elec Cond.

Komatsu PC 400 LC5

Komatsu PC 400 LC6 High/Eagle/Cummins

Komatsu PC 400 LC6 Eagle/Cummins

Komatsu PC 400 LC6 Jap/ Small Heater

Komatsu PW170ES

KOMATSU con't
LOADER

Komatsu WA 120-3 Denzo Cummins

Komatsu WA 150-5 Denso/Cummins

Komatsu WA 180-3

Komatsu WA180-3 50000 Series Jap

Komatsu WA250-1

Komatsu WA 250-3

Komatsu WA 250-3 Jap Heater

Komatsu WA 300-3 Denzo Heat/ Komatsu Engine

Komatsu WA 300-3 Denzo Jap Engine

Komatsu WA320-1 w/Cummins engine

Komatsu WA-320-2

Komatsu WA 320-3

Komatsu WA 320-3 Jap Engine/ Denzo Heat

Komatsu WA350-1

Komatsu WA 380-1 Eagle

Komatsu WA 380-2 Eagle

Komatsu WA 380-2 Nippon

Komatsu WA 380-3

Komatsu WA 380-3 Cummins / Denzo

Komatsu WA 380-3 Cummins / Eagle

Komatsu WA 420-1

Komatsu WA 420-2

Komatsu WA 420-3 Cummins/ Denzo

Komatsu WA 420-3 Eagle Cummins

Komatsu WA450-2 Eagle/Komatsu eng

Komatsu WA 450-3

Komatsu WA 450-3 Jap

Komatsu WA 500-1 20392-20939

Komatsu WA 500-2

Komatsu WA 600

Komatsu WA 65 /75

Komatsu WA75-3

Komatsu WA95

Komatsu WB 140 ***

Komatsu WB146

GRADER

Komatsu GD555

KUBOTA

KX91-3

KX161-3

R520 Loader (CDN)

R520 W low Rise Cab

R520 factory cab (US)



TEL # 519-485-5961 / 1-800-267-2665
 FAX # 519-485-3745 / 1-888-267-3745

LIEBHERR

CRAWLER LOADER
Liebherr 621
DOZER
Liebherr 712
Liebherr 722
Liebherr 732
EXCAVATOR
Liebherr 308 Elect Cond
Liebherr 308 Rad Cond
Liebherr 902 Classic
Liebherr 902 High Rise
Liebherr 902 LIT rad
Liebherr 912 Litronic High Rise
Liebherr 912 Litronic rad
Liebherr 922 High Rise
Liebherr 922 Litronic Rad
Liebherr 932 High Rise
Liebherr 932 Litronic Rad
Liebherr 942 Classic
Liebherr 942 Classic High Rise
Liebherr 942 Rad Mounted
Liebherr 952 LIT Exc
Liebherr 954 High Rise
Liebherr 954 Litronic Rad Cond
Liebherr 962
Liebherr 964
Liebherr 964 Rad Mount
Liebherr 964 W/Larger Evap
Liebherr 974 Litronic High Rise
Liebherr A310
Liebherr A312

LINKBELT

EXCAVATORS
Linkbelt 2700 Elect
Linkbelt 2700 Rad
Linkbelt 3400Q
Linkbelt 3900
Linkbelt 4300Q
Linkbelt 5800
SCRAPMASTER
Linkbelt 6000Q
Linkbelt LS208H Dragline

LOADLIFTER

2200D Forklift H/C
2200D Forklift COOL
2400D Forklift H/C
2400D Forklift COOL
4400-20F Tier III

MANITOU

M40/M50 Forklift
MLT 526 Telehandler

MOXY

6225B Rock Truck

NEW HOLLAND

EXCAVATOR
NH EC25/35
NH EC45
NH E35

SKIDSTEER
NH LS 150 Skidsteer
NH LS 170 Skidsteer
NH C/L 185 Skidsteer

LOADER BACKHOES
NH B95
NH LB70B
NH LB75
NH LB75B
NH LB90
NH LB90B
NH LB115

MISC
RG 80 Grader
DC100 Dozer

SAKAI

SV505D Roller

SAMSUNG

Samsung 210LC2



TEL # 519-485-5961 / 1-800-267-2665
 FAX # 519-485-3745 / 1-888-267-3745

SELICK

TLT30D Teletruck
TLT30D TIER 2
TLT35D Teletruck
TLT 35D Tier 3

TEREX

BACKHOE/LOADER

760/860
760/860B (TIER II)

MINI EXCAVATOR

HR 3.7
HR14/16
HR18
TC29/TC35
TC29/TC35 T3
TC37
TC48
TC50

EXCAVATORS

HR20
HR32
HR32 TIER 2 (SN>1501)
HR42
SMB 2041
TC60
TC75
TC125

LOADERS

SKL 823/833/633
SKL 824/834
SKL 824>0474
SKL 834>1552
SKL 844
SKL 853
SKL 854
SKL 854>207
SKL 863 ELEC. COND
SKL 873 S/N <275
SKL 873 S/N > 275 & up
TL80 HIGH FLOW
TL80 Tier 3 >1181
TL100<#0646
TL100 T3 >0647
TL120 T3

TEREX con't

SCRAP HANDLERS

MHL 320
MHL 331 SN < 530
MHL 331 SN > 530
MHL 340 SN < 638
MHL 340 SN > 638
MHL 350 SN < 367
MHL 350 SN > 367
MHL 360 H/C OLD
MHL 360 SN < 62
MHL 360 SN > 62
MHL 380
MHL 380-2
MHL 460

CRANE

TX110-72R

THOMAS

SKIDSTEERS

175 H/C
205 H/C
245 H/C
250 H/C
255 H/C
320 H/C

VOLVO

ARTICULATED DUMP TRUCK

Volvo A25C Dump Truck
Volvo A35C/A40

LOADER

Volvo L20B
Volvo 4500 Side Mount
Volvo 4500 Under dash
Volvo L30D Rad Mount
Volvo L60E/L70E
VME L70 Loader
Volvo L70C
Volvo L70D
Volvo L90 1990 Vintage
Volvo L90B
Volvo L90C
Volvo L90D



TEL # 519-485-5961 / 1-800-267-2665
 FAX # 519-485-3745 / 1-888-267-3745

VOLVO con't

Volvo L110E/L120E
Volvo L120 1990 Vintage
Volvo L120C
Volvo L120E
Volvo L150C
Volvo L160

SKIDSTEER

MC70B HEATER
MC80B HEATER
MC90B HEATER
MC110B HEATER
MC110B H/C

FARM EQUIPMENT

Allis Chalmers 8030

CASE

Case MX110
Case 970/1070

FIAT ALLIS

Fiatag 100-90

FORD

Ford 1320 Tractor
Ford 3600/4600
Ford 3930/4630
Ford 5030
Ford 5600/6600 Tractor
Ford 5600/6600 w/Laurin cab
Ford 5610/6610
Ford 6710
Ford 7710
Ford TS 90

GLEANER

Gleaner F2 Combine
Gleaner L2 Combine
Gleaner K2 Combine

INTERNATIONAL

International 856 Rooftop
International 886
International 986
Int'l 4186 Tractor
Int'l 656 Tractor
Int'l 766 Tractor

JOHN DEERE

JD 2555 Tractor
JD 3130 W/Simms Cab
JD 4230
JD 4430
JD 4430 with Sanden
JD 5830 Harvester
JD 6200
JD 8430 Tractor

MASSEY

Massey 1085 / 1105
Massey 698 Tractor
Massey 750 Combine

NEW HOLLAND

N/H TC45D w/Jodale Perry cab
TM75D Tractor
N/H 2305 Tractor
N/H 1900
N/H 1905

UNIVERSAL

Universal 1033
Universal 833
Universal 643 Tractor

WHITE

White 2-85
White 2-105
White 4-150

ZETOR

Zetor UR1 w/fiberglass roof (older model)
Zetor UR1 6340 w/metal roof (newer model)
Zetor 6341 US
Zetor UR #3 9540 CDN
Zetor UR #3 9540 CDN Electric

AIR CONDITIONING COMPONENTS & SERVICE TOOLS CATALOGUE

FOR MOBILE EQUIPMENT

*CUSTOM MADE A/C HOSE
ASSEMBLIES WITH O.E.M.
STYLE CRIMP & STEEL
FITTINGS*

*CUSTOMIZED COILS TO
THE CUSTOMERS
SPECIFICATION*

- TOOLS
- SERVICE EQUIPMENT
- COMPRESSORS
- ALUMINUM FITTINGS
- STEEL FITTINGS
- REFRIGERANT HOSE
- EXPANSION VALVES
- THERMOSTATS
- SWITCHES
- RECEIVER DRIERS
- CONDENSER COILS
- EVAPORATOR COILS

- *ATCO FITTINGS*
- *AEROQUIP HOSE AND FITTINGS*
- *SANDEN COMPRESSORS*
- *CPS AUTOMOTIVE SERVICE
EQUIPMENT AND TOOLS*

CALL FOR QUOTES ON:

- ARCTIC WOLF™ CUSTOM FARM TRACTOR A/C KITS
- ARCTIC WOLF™ CUSTOM HEAVY EQUIPMENT A/C KITS

CPS PRODUCTS



529-AR300

MACH 1

Recovery/Recycling/Recharging Equipment

- -Instructions displayed on LCD
- -Integrated manifold and large easy to read 80mm gauges
- -System technician troubleshooting chart
- -OE preferred electronic charging scale technology
- -1/4 oz accuracy
- -Automatic oil drain and push button air purge
- -Dual stage 6cfm vacuum pump and 50lb tank
- -Program specific function or select fully automatic
- -Multi language
- -Optional printer
- -Includes free cover

1. Automatic Recover & Recycle
2. Programmed Evacuation, leak check vacuum hold and oil/dye injection
3. Power charge only (no heater blanket required)
4. Recover/recycle, vacuum, oil injection and charge
5. Evacuation, vacuum hold, oil injection and recharge
6. Quick charging for topping off system
7. Liquid refrigerant flush for oil removal
8. Filter change display
9. Refrigerant inventory tracking

PRO-SET REFRIGERANT RECOVERY SYSTEMS



OIL DRAIN
PORT

529-400



529-CR700

FEATURES: 529-400 & 529-CR700

- **AUTOMATIC RECOVERY** of both liquid and vapor refrigerant – no manual adjustments needed
- **INDESTRUCTIBLE HIGH DENSITY** polyethylene housing with built in carrying handle – no dents, cracks or breaks
- **HEAVY-DUTY** powder coated aluminum chassis holds components firmly in place
- Rugged integrated manifold block design with advanced diaphragm valves
- **DEPENDABLE** electro-mechanical interlock system – meets worldwide safety standards
- User selectable high-pressure shut-off switches protect you and your Pro-Set recovery machine: 450 psi
- **BUILT-IN 100 MICRON FILTER** is located under intake valve nut for quick and easy cleaning/replacement
- Rugged integrated manifold block design with advanced diaphragm valves.
- Extended pressure gauge ranges: 0 to 800 psi discharge gauge and – 30 inch hg. Vac. To 500 psi suction gauge
- **“ON-THE-FLY”** self-purging feature quickly clears unit of residual refrigerant
- Optional tank overfill sensor cord kit available
- High pressure light indicator
- Compatible with all CFC, HFC, HCFC refrigerants and blends
- UL certified to meet or exceed EPA regulations per ARI standard 740-95

529-400 ONLY

- Reliable 1/6 HP oil filled compressor
- The only OIL FILLED recovery machine that can handle direct liquid refrigerant
- **COMPACT** design weighs only 28 lbs.

529-CR700 ONLY

- Powerful 1HP oil-less compressor
- HD components with special long lasting composite seals

E-Z MAINTENANCE

- **QUICK & EASY CLEANING** of the built-in micron filter located under the intake valve nut.
- **NO HASSEL OIL CHANGES** with easy access to oil drain hose on front of unit (529-400 only)**this is all the technician is required to maintain!**

BUILT LIKE A ROCK

- **INDESTRUCTIBLE HIGH DENSITY** polyethylene protective housing with built-in carrying handle-no dents, cracks, or breaks...ever!
- **HEAVY-DUTY** aluminum chassis holds components firmly in place
- Rugged integrated manifold block design with **ADVANCED** diaphragm valves.
- Two user selectable high-pressure shut-off switches for unit and user protection.
- **“SUPER COOL”** dual fan system keeps machine cool & running in 140o desert heat.
- Units weighs only 28 lbs. (529-400) & 36 lbs (529-CR700)

CHARGING SCALE



600-400

FEATURES:

- 220lb capacity
- 1/4 ounce accuracy
- Battery operated (2 x 9v)
- For all refrigerants
- Large display

SUPERVAC PUMPS



MODEL 793-450

Vacuum guage	0-30" Hg.
Free air displacement	5.85 CFM
Number of stages	Single stage rotary vane
Field blank off	100 microns (29.92" HG.)
Intake	¼" and ½" Acme
Motor	1/3 hp-1720 rpm
Voltage (single phase)	1185 volt – 60 cycle

MODEL 793-451

Vacuum guage	0-30" Hg
Free Air Displacement	6.25 CFM
Number of Stages	Dual Stage
Field Blank off	15 Micron
Intake	¼", 3/8" SAE male & ½"
ACME male	
Motor	1/2HP
Voltage	110/220V

The pumps are tested with both refrigerants and can be interchanged.

VACUUM PUMP OIL



793-091

Vacuum pump oil is specially refined and formulated for extremely low vapor pressure and high pump efficiency at all temperature conditions. This means it can help you get a continued return on your pump investment.

METHYL HYDRATE



307-985 4 l

BRASS AND ALUMINUM MANIFOLD GAUGE



- Brass forged body for extreme durability
- Silicone anti-flutter gauges smooth pressure readings
- Double o-ring seals for smooth acting valves
- Brass forge body with angled side hand valves for ease of operation

R-134a Manifold Gauge Set	BRASS	ALUMINUM
72" Hoses w/ couplers	784-972	789-972
96" Hoses w/ coupler		789-996
Manifold only		784-996

Gauge only R134a (low side)	784-250
Gauge only R134a (hi-side)	784-500
Diaphragm valve repair kit	784-011
"O" rings	791-413

R-134a AUTOMITIVE FIELD SERVICE COUPLERS



Automotive field service couplers interface with all SAE-dimensioned R-134a charge and service ports eliminating chance of refrigerant mixing. Quick connect/disconnect and actuation for access to systems at working pressures. Integral safety sleeve holds coupler securely to service port. Color-coded knobs for easy high/low identification. Small patented compact design allows access to every port.

741-301	High Side R-134a Coupler
741-302	Low Side R-134a Coupler
741-303	Coupler "O" rings (5 each)

R-134a A/C HOSE SETS AND BALL VALVE ADAPTERS



P&F Technologies charging hoses have been specially designed for R-134a refrigerant systems. They feature adjustable valve core depressors, premium 8-sided crimps. Extra large deep knurled brass nuts, and easy 1/4 turn open/close ball valves or auto shut-off valves. Our hose sets eliminate refrigerant loss and comply with all UL/SAE regulations.

	YELLOW	BLUE	RED	3 PACK
72"	727-072	727-272	727-672	727-972
96"	727-096	727-296	727-696	727-996
20 ft		727-240B	727-240R	

FULL FLOW BALL VALVES



791-003

½" Female Straight X ½" Male ACME
Straight Full Flow Ball Valve

- Isolates vacuum pump
- Adds to existing hoses
- Eliminates loss of refrigerant
- Controls refrigerant flow
- Industrial grade finish ball valve prevents leaks
- Complies with EPA automotive regulations

APAPTERS



791-412 ½" Male Acme x ¼" Female
Flare adapter

791-411 ¼" SAE Male x ½" Acme
Female

Allows R-12 vacuum pump to be used
with R-134a (sold in 3 pack)

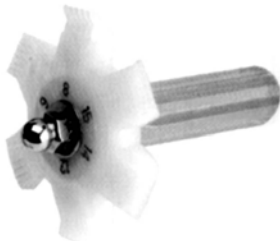


535-350 ¼" Female Swivel
nut on run



784-003 R-134a Valve Core
Tool 8 & 10 mm

784-003-S Standard Valve
Core Tool



784-009 Fin Comb Straightener

784-008 Individual Fine Comb Kit

R-134a OIL INJECTOR



471-600 Installs on low side of manifold

- 2 oz capacity
- ½" ACME Pro-set Ball Valve for easy operation
- Draws oil into system under vacuum
- Anodized aluminum for long life
- Compatible for both PAG or ESTER oil



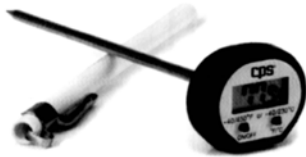
791-500 O-Ring Kit

- Covers the most popular metric & SAE o-rings
- HNBR & Neoprene
- OEM approved.



784-001 SHOP SERVICE PARTS KIT

- Complete coverage of gaskets, depressors, and valve cores
- R-134a hoses and couplers o-rings
- R-12/R134a port caps



784-004 DIGITAL THERMOMETERS



784-005 ANALOG 0° TO -220° F

784-006 ANALOG -40° TO 70° C



784-007 TRUE VACCUUM READINGS

- More accurate than analog gauge readings
- Great for checking vacuum pump operation
- Check for system leaks
- Complete with hose, tee adapter & R-134a service coupler



471-550 FLUSH GUN KIT

REDUCE COMEBACKS BY FLUSHING
EVAPORATOR AND CONDENSER.

UVIEW LEAK DETECTION



412-000

P&F Technologies' Uview ultra violet leak detection systems are not only the most effective in the industry, but they're also extremely simple to use. Simply add the non-harmful Uview additive to the automotive system, circulate by operating the system, and check all areas with the Uview lamp. A bright fluorescent glow instantly reveals the leak source, even leaks as small as 1/4oz per year!

The time is now to equip your garage with the new Uview leak detection system-and profit by saving the environment

Uview works with:

- Automatic transmission
- Hydraulic systems
- Cooling systems
- Fuel systems
- Diesel and gas engine oils
- Air Conditioning systems (R-12, R-134a)

12 VOLT UVIEW LEAK DETECTION SYSTEM

The 12 Volt Uview system can be connected directly to any 12-volt power supply; no extension cord required.

- INSTANT ON bulb eliminates warm-up time
- Replacement halogen bulbs cost 1/3rd of conventional bulbs.
- Lightweight aluminum housing.
- Works indoors, outdoors, and in windy conditions
- 50 Watt 12 V DC 90° swivel UV lamp

Lighter plug connector
Battery terminal clamps
UV safety glasses
Carrying Case



307-497 8 oz. Dispensing Bottle

Pre-measure portion is part of container, saves packaging costs,



307-499 32 oz. (960 ml.) Bottle U.V. Dye Cleaner

THIS SYSTEM CONTAINS LEAK DETECTION DYE. INSPECT THE SYSTEM WITH AN ULTRAVIOLET LAMP. THE LEAK SOURCE WILL FLUORESCENCE (GLOW) BRIGHTLY WHEN EXPOSED TO UV LIGHT.

A/C DYE ENGINE OIL DYE
 COOLANT DYE OTHER _____
DATE INSTALLED _____/_____/_____
LOCATION OF SERVICE _____
SHOTGUN

307-564: UV Dye Yellow Labels

800-790 LEAK SEEKER



FEATURES:

- PATENTED ION PUMP
- 18" FLEXIBLE PROBE
- 10 SENSITIVITY RANGES
- EXCLUSIVE LOCK-OUT MODE PINPOINTS LEAK SOURCE
- AUDIO/VISUAL INDICATORS WITH BAR GRAPH
- AUTOMATIC "POWER-OFF" SAVES BATTERY LIFE
- PATENTED AUTOMATIC CALIBRATION
- DESIGN CERTIFIED BY UNDERWRITERS LABORATORIES TO MEET SAE J1627

800-780 LEAK SEEKER



FEATURES:

- SIMPLE OPERATION
- PATENTED ION-PUMP
- 18" FLEXIBLE PROBE
- EFFECTIVE FOR (R134a) AND (R12)
- TWO SENSITIVITY RANGES
- AUDIO/VISUAL INDICATORS
- LOW BATTERY LED
- DESIGN CERTIFIED BY UNDERWRITERS LABORATORIES TO MEET SAE J1627

REPLACEMENT PARTS

- 800-131** Ion pump sensor
- 800-132** Aluminum sensor housing
- 800-135** Maintenance kit



529-UV55

Refrigerant leak detection kit
Complete professional grade kit
Come complete with UVPRO LED flashlight, squeeze gun injector w/hose, (1) UV dye cartridge, R-134a 90° low coupler, enhancing safety glasses, dye cartridge and carrying case.

529-UVS2 Dye cartridge refills

NEW!

A/C LEAK DETECTION: THE NEXT GENERATION

SPOTGUN™

**NOW NO MESS, NO FUSS,
TIME-SAVING, MONEY-MAKING
DYE INJECTION IS AS EASY AS...**

Clean, quick and neat. That's the new revolutionary SPOTGUN from P&F Technologies. Simply hook the SPOTGUN up to the low side port of an automotive A/C system, squeeze the trigger and the dye is injected. No messy dye handling, no complicated hose connections, and no refrigerants are vented into the atmosphere. The new SPOTGUN. It's simple, easy-to-use, and up to 25% less expensive per application. Everything else is yesterday's hassle.



471-500 SPOTGUN

REPLACEMENT CYLINDERS

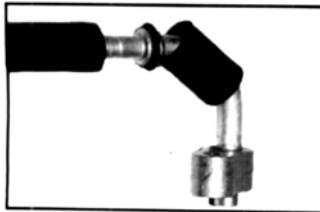
307-498 4 oz. cylinder

307-498-8 8 oz. cylinder

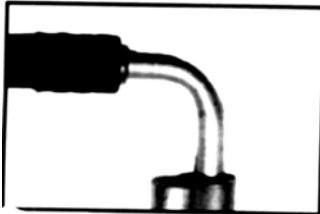
BEADLOCK REPAIR



Remove factory collar.



Assemble original BLR ferrule & retainer.



Bubble crimp to complete.

THE 15 MINUTE SOLUTION FOR REBUILDING A/C HOSES

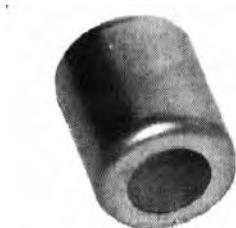
- NO CUTTING
- NO WELDING
- NO BARBED FITTINGS.
- RE-USE THE OLD FITTING.

529-3000 BLR STARTER KIT

Contains: (20) each #6, #8, #10, #12 ferrules and
(90) retainer rings

529-3100 BLR RETAINER KIT

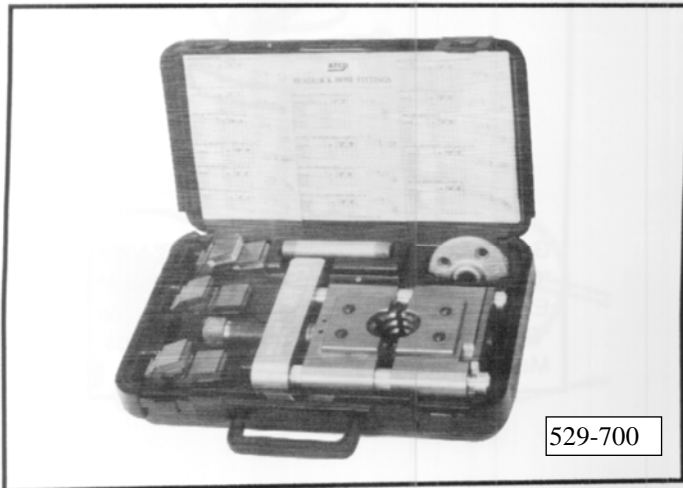
Contains : (10) each #1 - #9 retainers



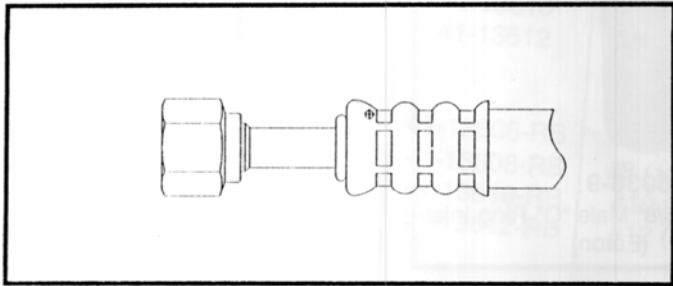
Ferrules:

529-3006	#6 BLR	529-3010	#10 BLR
529-3008	#8 BLR	529-3012	#12 BLR

CRIMP MACHINES FOR R-134a



BUBBLE STYLE CRIMP PRODUCED



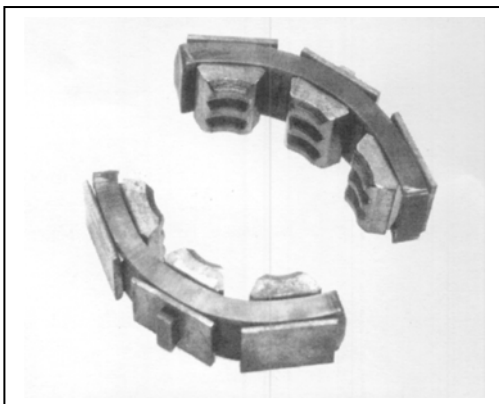
FEATURES:

- Engineered and Designed Specifically for use with STCO Beadlock Hose Fittings
- Portable, Hand Operation
- OE Style Triple Bubble Crimp
- Heavy Duty Construction for Use with Air Impact Wrench
- Color Coded, Urethane Encased Dies
- Easy Changeover From Size to Size
- Crimps 2 Braid Dimension Rubber or Nylon Barrier Hose
- Four Standard Die Sizes - #6, #8, #10, #12
- Capable of Crimping Under-Hood Applications
- Light Weight for Easy Handling (Less than 5lbs.)
- Removable Die Holder Accommodates Complicated Shapes
- Unit Can be Bench Mounted
- Shipped in a Custom Carrying Case with Instructions
- No Electrical Requirements
- Patent Pending
- Made in U.S.A.

Replacement Parts:

- 529-700-1** Actuator Bar
- 529-700-2** Driver Screw
- 529-700-3** Latch Plate

CRIMP DIES



PART #	FITTING SIZE	HOSE SIZE	HOSE I.D. SIZE
529-706	6	6	5/16"
529-708	8	8	13/32"
529-710	10	10	1/2"
529-712	12	12	5/8"

REDUCED DIE SETS:

- 529-606SR** #6 reduced
- 529-608SR** #8 reduced
- 529-610SR** #10 reduced
- 529-612SR** #12 reduced



Crimp Die Carrier

- 529-688** 5/16" (#6) Black
- 529-689** 13/32" (#8) Blue
- 529-690** 1/2" (#10) Green
- 529-691** 5/8" (#12) Clear



Crimp Die Segment

- 529-733** 5/16" (#6)
- 529-734** 13/32" (#8)
- 529-735** 1/2" (#10)
- 529-736** 5/8" (#12)

NOTICE: RETROFITTED to R-134a
Retrofit procedure performed to SAE J1661

Retrofit Date: _____

Name of company or individual performing retrofit: _____

Address: _____

City/State _____ Zip _____

Refrigerant _____ Quantity _____

Lubricant _____ Quantity _____

CAUTION: System to be serviced by qualified personnel

- 307-565** Standard R134a Blue Retrofit Label



- 529-800** HEATER BLANKET
Charge faster in cold weather.



- TS-37** - 30lb. Cylinder with float switch
- TS-57** - 50lb. Cylinder with float switch



514-499

Universal Clutch
Hold Tool



784-012

Cutter (Hand Held)
Heavy Duty
Refrigerant & PVC
Pipe



**SANDEN SP-15 REFRIGERANT OIL FOR
R134A SD COMPRESSORS**

Sanden provides service containers of SP-15 PAG oil for Sanden SD-series compressors in convenient 250cc cans. These cans are designed to withstand moisture ingress. Always keep the cap of the can tightly closed when not handling the oil.

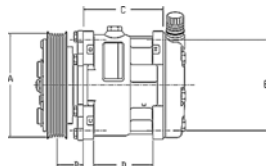
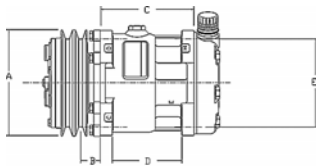
Sanden limits the warranty of SD compressors for field service with the condition that only Sanden-approved SP-20 is utilized.

514-418 8.45 fl oz Can

SANDEN 5 CYLINDER COMPRESSORS

The Sanden SD5 series is a fixed displacement 5 cylinder compressor with various clutch and porting options and weights on average a mere 11.88 lbs/5.4 kg. Rotation both clockwise and counterclockwise

Body Family	Displacement	Max Speed
SD5H14.	138CC	6000 RPM
SD5H11	108CC	6000 RPM
SD5H09	89CC	6000 RPM



Clutch Diameter	A
Clutch Gauge Line	B
Body Length	C
Ear Spacing	D
Diameter	E

Part #	Body	Voltage	Clutch	Dia.	Gauge Line	Mount	Tail plate	Ref
520-4506	SD5H14	24	2 GR	132MM	23.80MM	EAR	VOR FL	R134
520-4508	SD5H14	12	10 GR	125MM	34.78MM	EAR	VOR FL	R134
520-4510	SD5H14	12	2 GR	132MM	23.80MM	EAR	VOR FL	R134
520-4513	SD5H14	12	2 GR	132MM	23.80MM	EAR	H ROTO M	R134
520-4516	SD5H14	24	1 GR	158MM	39.55MM	EAR	VOR FL	R134
520-4521	SD5H14	24	2 GR	132MM	23.80MM	EAR	H ROTO M	R134
520-4523	SD5H14	12	6 GR	119MM	55.56MM	EAR	H ROTO M	R134
520-4526	SD5H14	12	10 GR	125MM	34.78MM	EAR	H ROTO M	R134
520-4536	SD5H14	12	2 GR	132MM	23.80MM	EAR	HOR K	R134
520-4537	SD5H14	24	2 GR	132MM	23.80MM	EAR	HOR K	R134
520-5072	SD5H09	12	2 GR	125MM	20.85MM	EAR	VOR FL	R134
520-5073	SD5H09	24	2 GR	125MM	20.85MM	EAR	VOR FL	R134
520-5425	SD508	12	1 GR	158MM	39.55MM	EAR	VOR FL	R12
520-6333	SD507	12	2 GR	125MM	23.80MM	EAR	VOR FL	R134
520-6671	SD5H14	12	1 GR	158MM	39.55MM	EAR	V ROTO C	R134
520-8387	SD508	12	2 GR	152MM	23.80MM	EAR	VFL BL	R12
520-8390	SD508	12	2 GR	132MM	23.80MM	EAR	VOR FL	R12
520-8478	SD508	12	1 GR	152MM	33.85MM	EAR	V ROTO C	R12
520-9077	SD505	12	2 GR	125MM	20.85MM	EAR	VFL B	R12
520-9103	SD510	12	2 GR	132MM	23.80MM	EAR	VFL B	R12
520-9105	SD510	24	2 GR	132MM	23.80MM	EAR	VFL B	R12
520-9120	SD510	12	2 GR	132MM	23.80MM	EAR	VOR FG	R12
520-9263	SD508	12	2 GR	132MM	23.80MM	EAR	V ROTO N	R12
520-9285	SD508	12	2 GR	132MM	23.80MM	EAR	VOR FG	R12
520-9514	SD508	12	1 GR	122MM	60.15MM	EAR	VOR FL	R12
520-9519	SD508	12	2 GR	132MM	23.80MM	EAR	V ROTO C	R12
520-9592	SD508	12	1 GR	125MM	60.15MM	EAR	H ROTO M	R12
520-9675	SD510	12	1 GR	158MM	39.55MM	EAR	VOR FL	R12



520-4506

Model: SD5H14
Voltage: 24V
Clutch: 2 GR
Dia: 132MM
Mount: Ear
Tailplate: FL(VOR)
Ref: R134



520-4508

Model: SD5H14
Voltage: 12V
Clutch: 10GR
Dia: 125MM
Mount: Ear
Tailplate : FL (VOR)
Ref: R134



520-4510

Model: SD5H14
Voltage: 12V
Clutch: 2GR
Dia: 132MM
Mount: Ear
Tailplate: FL (VOR)
Ref: R134



520-4513

Model: SD5H14
Voltage: 12V
Clutch: 2GR
Dia: 132MM
Mount: Ear
Tailplate: M (H Roto)
Ref: R134



520-4516

Model: SD5H14
Voltage: 24V
Clutch: 1GR
Dia: 158MM
Mount: Ear
Tailplate: FL (VOR)
Ref: R134



520-4521

Model: SD5H14
Voltage: 24V
Clutch: 2 GR
Dia: 132MM
Mount: Ear
Tailplate: M (H Roto)
Ref: R134



520-4523

Model: SD5H14
Voltage: 12V
Clutch: 6 GR
Dia: 119MM
Mount: Ear
Tailplate: M (H Roto)
Ref: R134

NO PICTURE
AVAILABLE

520-4526

Model: SD5H14
Voltage: 12V
Clutch: 10 GR
Dia: 125MM
Mount: Ear
Tailplate: M (H Roto)
Ref: R134



520-4536

Model: SD5H14
Voltage: 12V
Clutch: 2GR
Dia: 132MM
Mount: Ear
Tailplate: K (HOR)
Ref: R134



520-4537

Model: SD5H14
Voltage: 24V
Clutch: 2GR
Dia: 132MM
Mount: Ear
Tailplate: K (HOR)
Ref: R134



520-5072

Model: SD5H09
Voltage: 12V
Clutch: 2GR
Dia: 125MM
Mount: Ear
Tailplate: FL(VOR)
Ref: R134



520-5073

Model: SD5H09
Voltage: 24V
Clutch: 2GR
Dia: 125MM
Mount: Ear
Tailplate: FL (VOR)
Ref: R134



520-5425

Model: SD508
Voltage: 12V
Clutch: 1GR
Dia: 158mm
Mount: Ear
Tailplate: FL(VOR)
Ref: R12



520-6333

Model: SD507
Voltage: 12V
Clutch: 2GR
Dia: 125MM
Mount: Ear
Tailplate: FL (VOR)
Ref: R134



520-6671

Model: SD5H14
Voltage: 12V
Clutch: 1GR
Dia: 158MM
Mount: Ear
Tailplate: C (V Roto)
Ref: R134



520-8387

Model: SD508
Voltage: 12V
Clutch: 2GR
Dia: 152MM
Mount: Ear
Tailplate: BL (VFL)
Ref: R12



520-8390

Model: SD508
Voltage: 12V
Clutch: 2GR
Dia: 132MM
Mount: Ear
Tailplate: FG (VOR)
Ref: R12



520-8478

Model: SD508
Voltage: 12V
Clutch: 1GR
Dia: 152MM
Mount: Ear
Tailplate: C (V Roto)
Ref: R12



520-9077

Model: SD505
Voltage: 12V
Clutch: 2GR
Dia: 125MM
Mount: Ear
Tailplate: E (VFL)
Ref: R12



520-9103

Model: SD510
Voltage: 12V
Clutch: 2GR
Dia: 132MM
Mount: Ear
Tailplate: B (VFL)
Ref: R12



520-9105

Model: SD510
Voltage: 24V
Clutch: 2GR
Dia: 132MM
Mount: Ear
Tailplate: B (V Flare)
Ref: R12



520-9120

Model: SD510
Voltage: 12V
Clutch: 2GR
Dia: 132MM
Mount: Ear
Tailplate: FG (VOR)
Ref: R12



520-9263

Model: SD508
Voltage: 12V
Clutch: 2GR
Dia: 132MM
Mount: Ear
Tailplate: N (V ROTO)
Ref: R12



520-9285

Model: SD508
Voltage: 12V
Clutch: 1GR
Dia: 152MM
Mount: Ear
Tailplate: C (V Roto)
Ref: R12



520-9514

Model: SD508
Voltage: 12V
Clutch: 1GR
Dia: 122MM
Mount: Ear
Tailplate: FL (VOR)
Ref: R12



520-9519

Model: SD508
Voltage: 12V
Clutch: 2GR
Dia: 132MM
Mount: Ear
Tailplate: C (V Roto)
Ref: R12



520-9592

Model: SD508
Voltage: 12V
Clutch: 1GR
Dia: 125MM
Mount: Ear
Tailplate: M (H Roto)
Ref: R12



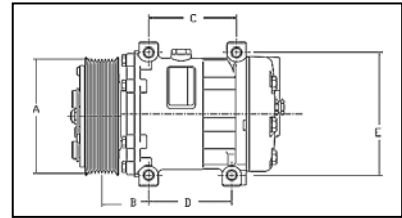
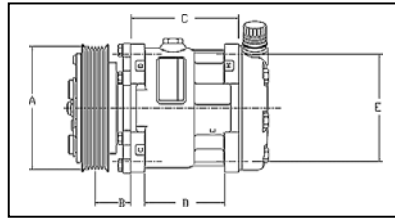
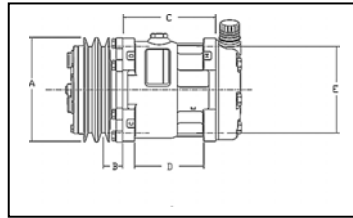
520-9675

Model: SD510
Voltage: 12V
Clutch: 1GR
Dia: 158MM
Mount: Ear
Tailplate: FL (VOR)
Ref: R12

SANDEN 7 CYLINDER COMPRESSORS

The Sanden SD7 is a fixed displacement 7 piston compressor with various clutch and porting options. They are available with a standard ear mount or direct mount arrangement.

Body Family	Displacement	Max Speed	Clutch Diameter	A
SD7H15FLX	154.7CC	6000 RPM	Clutch Gauge Line	B
SD7H15	154.7CC	6000 RPM	Body Length	C
SD7H13	129CC	6000 RPM	Ear Spacing	D
SD7B10	100CC	6000 RPM	Diameter	E



Part#	Body	Voltage	Clutch	Dia.	Gauge Line	Mount	Tailplate	Ref.
520-4039	SD7H15	12V	6GR	125MM	46.07MM	DM	VPAD GA	R134
520-4301	SD7H15	24V	8GR	133MM	49MM	DM	HPAD GK	R134
520-4328	SD7H15	12V	6GR	119MM	37.65MM	EAR	VOR JE	R134
520-4434	SD7H15FLX	12V	2GR	132MM	39.55MM	EAR	H PAD GV	R134
520-4448	SD7H15FLX	24V	2GR	132MM	39.55MM	EAR	H PAD GV	R134
520-4472	SD7H15	12V	2GR	132MM	39.55MM	EAR	HPAD GH	R134
520-4479	SD7HDSHD	24V	1GR	152MM	39.55MM	EAR	HPAD GH	R134
520-4492	SD7H15	12V	6GR	125MM	46MM	DM	H ROTO MDA	R134
520-4493	SD7H15	12V	8GR	130MM	44MM	DM	HPAD WV	R134
520-4499	SD7H15	12V	8GR	152MM	52.6MM	DM	H ROTO MD	R134
520-4600	SD7H15SHD	12V	6GR	125MM	36.10MM	EAR	VOR JD	R134
520-4602	SD7H15	12V	1GR	169MM	38.8MM	DM	VPAD WH	R134
520-4603	SD7H15	12V	2GR	132MM	39.55MM	EAR	VPAD WJ	R134
520-4604	SD7H15	24V	1GR	138MM	39.55MM	EAR	HPAD GK	R134
520-4608	SD7H15SHD	12V	1GR	138MM	39.55MM	EAR	HPAD GK	R134
520-4609	SD7H15 SHD	12V	2GR	152MM	39.55MM	EAR	H ROTO MD	R134
520-4617	SD7H15	12V	2GR	132MM	39.55MM	EAR	H ROTO MD	R134
520-4618	SD7H15	12V	7GR	119MM	35.87MM	EAR	HPAD QD	R134
520-4627	SD7H15	12V	2GR	125MM	39.55MM	EAR	VOR JD	R134
520-4637	SD7H15	12V	8GR	132MM	34MM	EAR	HOR KC	R134
520-4643	SD7H15	12V	2GR	132MM	39.55MM	EAR	HOR CB	R134
520-4644	SD7H15	12V	2GR	132MM	39.55MM	EAR	VOR JD	R134
520-4645	SD7H15	12V	7GR	119MM	35.87MM	EAR	VOR JDA	R134
520-4646	SD7H15	12V	2GR	132MM	39.55MM	EAR	H ROTO MJ	R134
520-4652	SD7H15	24V	2GR	125MM	23.80MM	EAR	VOR JD	R134
520-4666	SD7H15	12V	8GR	119MM	49MM	DM	HOR KC	R134
520-4672	SD7H15	12V	8GR	119MM	34MM	DM	H ROTO MDA	R134
520-4687	SD7H15	12V	6GR	125MM	46MM	DM	V ROTO CBA	R134
520-4696	SD7H15	12V	2GR	125MM	39.55MM	EAR	VPAD GQ	R134



TEL # 519-485-5961 / 1-800-267-2665
 FAX # 519-485-3745 / 1-888-267-3745

Part#	Body	Voltage	Clutch	Dia.	Gauge Line	Mount	Tailplate		Ref
520-4698	SD7H15SHD	12V	8GR	133MM	49MM	DM	VOR	JD	R134
520-4704	SD7H15	12V	2GR	132MM	39.55MM	EAR	HPAD	SJ	R134
520-4706	SD7H15	12V	2GR	125MM	39.55MM	EAR	V ROTO	CB	R134
520-4708	SD7H15	12V	2GR	125MM	39.55MM	EAR	HPAD	QC	R134
520-4709	SD7H15	12V	2GR	125MM	39.55MM	EAR	HOR	KG	R134
520-4711	SD7H15	12V	8GR	119MM	34MM	EAR	VOR	JD	R134
520-4715	SD7H15	12V	2GR	132MM	54.55MM	DM	HPAD	WV	R134
520-4717	SD7H15	12V	2GR	132MM	39.55MM	EAR	HPAD	WV	R134
520-4718	SD7H15	12V	8GR	119MM	34MM	EAR	VPAD	WJ	R134
520-4726	SD7H15SHD	24V	8GR	133MM	34MM	EAR	H PAD	GK	R134
520-4731	SD7H15	12V	6GR	125MM	46MM	DM	VPAD	GQ	R134
520-4734	SD7H15	12V	8GR	119MM	46.50MM	EAR	H ROTO	MJA	R134
520-4736	SD7H15	12V	2GR	132MM	39.55MM	EAR	VOR	JDA	R134
520-4738	SD7H15SHD	12V	8GR	133MM	34MM	EAR	VOR	JD	R134
520-4741	SD7H15	24V	2GR	125MM	39.55MM	EAR	VOR	JD	R134
520-4742	SD7H15	24V	2GR	125MM	39.55MM	EAR	HOR	KG	R134
520-4743	SD7H15	24V	2GR	125MM	39.55MM	EAR	V ROTO	CB	R134
520-4744	SD7H15	24V	2GR	125MM	39.55MM	EAR	H ROTO	MD	R134
520-4756	SD7H15	12V	6GR	125MM	46MM	DM	V ROTO	CBA	R134
520-4762	SD7H15	24V	8GR	119MM	46.55MM	EAR	VOR	JD	R134
520-4765	SD7H15	24V	8GR	119MM	34.04MM	EAR	HOR	KG	R134
520-4776	SD7H15	24V	8GR	119MM	49MM	DM	HPAD	GH	R134
520-4792	SD7H15	12V	6GR	125MM	46MM	DM	VPAD	CQ	R134
520-4813	SD7H15	12V	8GR	132MM	49MM	DM	HOR	KCA	R134
520-4815	SD7H15	12V	6GR	125MM	46MM	DM	HPAD	GWA	R134
520-4818	SD7H15	12V	8GR	119MM	49MM	DM	HPAD	GH	R134
520-4819	SD7H15	12V	6GR	125MM	46MM	DM	HPAD	GH	R134
520-4820	SD7H15	12V	8GR	119MM	34.04MM	EAR	HPAD	GH	R134
520-4822	SD7H15	12V	8GR	119MM	49MM	DM	VOR	JDA	R134
520-4840	SD7H15SHD	24V	8GR	152MM	52.60MM	DM	HPAD	GQ	R134
520-4860	SD7H15FLX	12V	2GR	125MM	39.55MM	EAR	HPAD	GV	R134
520-4862	SD7H15FLX	24V	2GR	125MM	39.55MM	EAR	HPAD	GV	R134
520-4864	SD7H15FLX	12V	8GR	119MM	34MM	EAR	HPAD	GV	R134
520-4866	SD7H15FLX	24V	8GR	119MM	34MM	EAR	HPAD	GV	R134
520-4868	SD7H15FLX	12V	1GR	158MM	39.55MM	EAR	HPAD	GV	R134
520-4870	SD7H15FLX	24V	1GR	158MM	39.55MM	EAR	HPAD	GV	R134
520-4872	SD7H15FLX	12V	10GR	125MM	34.78MM	EAR	HPAD	GV	R134
520-4875	SD7H15FLX	12V	1GR	138MM	39.55MM	EAR	HPAD	GV	R134
520-7170	SD7B10	12V	2GR	115MM	43.85MM	SWING	BODY	BODY	R134
520-7312	SD7H13	12V	2GR	125MM	28.50MM	EAR	VOR	JE	R134
520-7320	SD7H13	12V	8GR	119MM	44.04MM	DM	VOR	JE	R134
520-7804	SD7H15	12V	8GR	119MM	49.55MM	DM	VPAD	WH	R134
520-7819	SD7H15	12V	2GR	125MM	39.55MM	EAR	HROTO	MD	R134
520-8112	SD7H15	24V	8GR	132MM	44MM	DM	H PAD	WZ	R134
520-8148	SD7H15	12V	4GR	111MM		DM	H PAD	WV	R134



520-4039

Model: SD7H15
Voltage: 12V
Clutch: 6GR
Dia: 125MM
Mount: DM
Tailplate: GA (VPAD)



520-4301

Model: SD7H15
Voltage: 24V
Clutch: 8GR
Dia: 133MM
Mount: DM
Tailplate: GK (HPAD)



520-4328

Model: SD7H15
Voltage: 12V
Clutch: 6GR
Dia: 119MM
Mount: EAR
Tailplate: JE (VOR)



520-4434

Model: SD7H15FLX
Voltage: 12V
Clutch: 2GR
Dia: 132MM
Mount: EAR
Tailplate: GV (HPAD)



520-4448

Model: SD7H15FLX
Voltage: 24V
Clutch: 2GR
Dia: 132MM
Mount: EAR
Tailplate: GV (HPAD)



520-4472

Model: SD7H15
Voltage: 12V
Clutch: 2GR
Dia: 132MM
Mount: EAR
Tailplate: GH (HPAD)



520-4479

Model: SD7H15SHD
Voltage: 24
Clutch: 1GR
Dia: 152MM
Mount: EAR
Tailplate: GH (HPAD)



520-4492

Model: SD7H15
Voltage: 12V
Clutch: 6GR
Dia: 125MM
Mount: DM
Tailplate: MDA (H ROTO)



520-4493

Model: SD7H15
Voltage: 12V
Clutch: 8GR
Dia: 130MM
Mount: DM
Tailplate: WV (HPAD)



520-4499

Model: SD7H15
Voltage: 12V
Clutch: 8GR
Dia: 152MM
Mount: DM
Tailplate: MD (H ROTO)



520-4600

Model: SD7H15SHD
Voltage: 12V
Clutch: 6GR
Dia: 125MM
Mount: EAR
Tailplate: JD(VOR)



520-4602

Model: SD7H15
Voltage: 12V
Clutch: 1GR
Dia: 169MM
Mount: DM
Tailplate: WH(VPAD)



520-4603

Model: SD7H15
Voltage: 12V
Clutch: 2GR
Dia: 132MM
Mount: EAR
Tailplate: WJ (VPAD)



520-4604

Model: SD7H15
Voltage: 24V
Clutch: 1GR
Dia: 138MM
Mount: EAR
Tailplate: GK (HPAD)



520-4608

Model: SD7H15SHD
Voltage: 12V
Clutch: 1GR
Dia: 138MM
Mount: EAR
Tailplate: GK (H PAD)



520-4609

Model: SD7H15SHD
Voltage: 12V
Clutch: 2GR
Dia: 152MM
Mount: EAR
Tailplate: MD (H ROTO)



520-4617

Model: SD7H15
Voltage: 12V
Clutch: 2GR
Dia: 132MM
Mount: EAR
Tailplate: MD (H ROTO)



520-4618

Model: SD7H15
Voltage: 12V
Clutch: 7GR
Dia: 119MM
Mount: EAR
Tailplate: QD (HPAD)



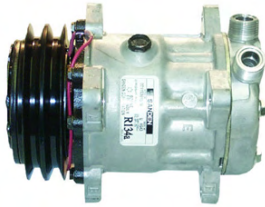
520-4627

Model: SD7H15
Voltage: 12V
Clutch: 2GR
Dia: 125MM
Mount: EAR
Tailplate: JD (VOR)



520-4637

Model: SD7H15
Voltage: 12V
Clutch: 8GR
Dia: 132MM
Mount: EAR
Tailplate: KC (HOR)



520-4643

Model: SD7H15
Voltage: 12V
Clutch: 2GR
Dia: 132MM
Mount: EAR
Tailplate: CB (H ROTO)



520-4644

Model: SD7H15
Voltage: 12V
Clutch: 2GR
Dia: 132MM
Mount: EAR
Tailplate: JD (VOR)



520-4645

Model: SD7H15
Voltage: 12V
Clutch: 7GR
Dia: 119MM
Mount: EAR
Tailplate: JDA(VOR)



520-4646

Model: SD7H15
Voltage: 12V
Clutch: 2GR
Dia: 132MM
Mount: EAR
Tailplate: MJ (H ROTO)



520-4652

Model: SD7H15
Voltage: 24V
Clutch: 2GR
Dia: 125MM
Mount: EAR
Tailplate: JD (VOR)



520-4666

Model: SD7H15
Voltage: 12V
Clutch: 8GR
Dia: 119MM
Mount: DM
Tailplate: KC (HOR)



520-4672

Model: SD7H15
Voltage: 12V
Clutch: 8GR
Dia: 119MM
Mount: EAR
Tailplate: MDA (H ROTO)



520-4687

Model: SD7H15
Voltage: 12V
Clutch: 6GR
Dia: 125MM
Mount: DM
Tailplate: CBA(V ROTO)



520-4696

Model: SD7H15
Voltage: 12V
Clutch: 2GR
Dia: 125MM
Mount: EAR
Tailplate: GQ (V PAD)



520-4698

Model: SD7H15
Voltage: 12V
Clutch: 8GR
Dia: 133MM
Mount: DM
Tailplate: JD (VOR)



520-4704

Model: SD7H15
Voltage: 12V
Clutch: 2GR
Dia: 132MM
Mount: EAR
Tailplate: SJ (HPAD)



520-4706

Model: SD7H15
Voltage: 12V
Clutch: 2GR
Dia: 125MM
Mount: EAR
Tailplate: CB (V ROTO)



520-4708

Model: SD7H15
Voltage: 12V
Clutch: 2GR
Dia: 125MM
Mount: EAR
Tailplate: QC (H PAD)



520-4709

Model: SD7H15
Voltage: 12V
Clutch: 2GR
Dia: 125MM
Mount: EAR
Tailplate: KG (HOR)



520-4711

Model: SD7H15
Voltage: 12V
Clutch: 8GR
Dia: 119MM
Mount: EAR
Tailplate: JD (VOR)



520-4715

Model: SD7H15
Voltage: 12V
Clutch: 2GR
Dia: 132MM
Mount: DM
Tailplate: WV (H PAD)



520-4717

Model:	SD7H15
Voltage:	12V
Clutch:	2GR
Dia:	132MM
Mount:	EAR
Tailplate:	WV (H PAD)



520-4718

Model:	SD7H15
Voltage:	12V
Clutch:	8GR
Dia:	119MM
Mount:	EAR
Tailplate:	WJ (V PAD)



520-4726

Model:	SD7H15SHD
Voltage:	24V
Clutch:	8GR
Dia:	133MM
Mount:	EAR
Tailplate:	GK (HPAD)



520-4731

Model:	SD7H15
Voltage:	12V
Clutch:	6GR
Dia:	125MM
Mount:	DM
Tailplate:	GQ (VPAD)



520-4734

Model:	SD7H15
Voltage:	12V
Clutch:	8GR
Dia:	119MM
Mount:	EAR
Tailplate:	MJA (H ROTO)



520-4736

Model:	SD7H15
Voltage:	12V
Clutch:	2GR
Dia:	132MM
Mount:	EAR
Tailplate:	JDA (VOR)



520-4738

Model: SD7H15SHD
Voltage: 12V
Clutch: 8GR
Dia: 133MM
Mount: EAR
Tailplate: JD (VOR)



520-4741

Model: SD7H15
Voltage: 24V
Clutch: 2GR
Dia: 125MM
Mount: EAR
Tailplate: JD (VOR)



520-4742

Model: SD7H15
Voltage: 24V
Clutch: 2GR
Dia: 125MM
Mount: EAR
Tailplate: KG (HOR)



520-4743

Model: SD7H15
Voltage: 24V
Clutch: 2GR
Dia: 125MM
Mount: EAR
Tailplate: CB (V ROTO)



520-4744

Model: SD7H15
Voltage: 24V
Clutch: 2GR
Dia: 125MM
Mount: EAR
Tailplate: MD (H ROTO)



520-4756

Model: SD7H15
Voltage: 12V
Clutch: 6GR
Dia: 125MM
Mount: DM
Tailplate: CBA (V ROTO)



520-4762

Model: SD7H15
Voltage: 24V
Clutch: 8GR
Dia: 119MM
Mount: EAR
Tailplate: JD (VOR)



520-4765

Model: SD7H15
Voltage: 24V
Clutch: 8GR
Dia: 119MM
Mount: EAR
Tailplate: KG (HOR)



520-4776

Model: SD7H15
Voltage: 24V
Clutch: 8GR
Dia: 119MM
Mount: DM
Tailplate: GH (H PAD)



520-4792

Model: SD7H15
Voltage: 12V
Clutch: 6GR
Dia: 125MM
Mount: DM
Tailplate: CQ (V PAD)



520-4813

Model: SD7H15SDH
Voltage: 12V
Clutch: 8GR
Dia: 132MM
Mount: DM
Tailplate: KCA (HOR)



520-4815

Model: SD7H15
Voltage: 12V
Clutch: 6GR
Dia: 125MM
Mount: DM
Tailplate: GWA (HPAD)



520-4818

Model: SD7H15
Voltage: 12V
Clutch: 8GR
Dia: 119MM
Mount: DM
Tailplate: GH (H PAD)



520-4819

Model: SD7H15
Voltage: 12V
Clutch: 6GR
Dia: 125MM
Mount: DM
Tailplate: GH (H PAD)



520-4820

Model: SD7H15
Voltage: 12V
Clutch: 8GR
Dia: 119MM
Mount: EAR
Tailplate: GH (HPAD)



520-4822

Model: SD7H15
Voltage: 12V
Clutch: 8GR
Dia: 119MM
Mount: DM
Tailplate: JDA (VOR)



520-4840

Model: SD7H15SHD
Voltage: 24V
Clutch: 8GR
Dia: 152MM
Mount: DM
Tailplate: GQ (HPAD)



520-4860

Model: SD7H15FLX
Voltage: 12V
Clutch: 2GR
Dia: 125MM
Mount: EAR
Tailplate: GV (H PAD)



520-4862

Model: SD7H15FLX
Voltage: 24V
Clutch: 2GR
Dia: 125MM
Mount: EAR
Tailplate: GV (H PAD)



520-4864

Model: SD7H15FLX
Voltage: 12V
Clutch: 8GR
Dia: 119MM
Mount: EAR
Tailplate: GV (H PAD)



520-4866

Model: SD7H15FLX
Voltage: 24V
Clutch: 8GR
Dia: 119MM
Mount: EAR
Tailplate: GV (H PAD)



520-4868

Model: SD7H15FLX
Voltage: 12V
Clutch: 1GR
Dia: 158MM
Mount: EAR
Tailplate: GV (H PAD)



520-4870

Model: SD7H15FLX
Voltage: 24V
Clutch: 1GR
Dia: 158MM
Mount: EAR
Tailplate: GV (H PAD)



520-4872

Model: SD7H15FLX
Voltage: 12V
Clutch: 10G
Dia: 125MM
Mount: EAR
Tailplate: GV (H PAD)



520-4875

Model: SD7H15FLX
Voltage: 12V
Clutch: 1GR
Dia: 138MM
Mount: EAR
Tailplate: GV (H PAD)



520-7170

Model: SD7B10
Voltage: 12V
Clutch: 2GR
Dia: 115MM
Mount: DM
Tailplate: BODYPORT



520-7312

Model: SD7H13
Voltage: 12V
Clutch: 2GR
Dia: 125MM
Mount: EAR
Tailplate: JE (VOR)



520-7320

Model: SD7H13
Voltage: 12V
Clutch: 8GR
Dia: 119MM
Mount: DM
Tailplate: JE (VOR)



520-7804

Model: SD7H15
Voltage: 12V
Clutch: 8GR
Dia: 119MM
Mount: DM
Tailplate: WH (V PAD)



520-7819

Model: SD7H15
Voltage: 12V
Clutch: 2GR
Dia: 125MM
Mount: EAR
Tailplate: MD (H ROTO)



520-8112

Model:	SD7H15
Voltage:	24V
Clutch:	8GR
Dia:	132MM
Mount:	DM
Tailplate:	WZ (HPAD)



520-8148

Model:	SD7H15
Voltage:	12V
Clutch:	4GR
Dia:	111MM
Mount:	DM
Tailplate:	WV (HPAD)

FLX 7 PORT FITTINGS


501-277
Horizontal "O" ring
Thread size ¾ x 7/8

517-024
Vertical "O" ring
Thread size ¾ x 7/8

501-276
Vertical Tube O
Thread size 1 x 14

501-278
Vertical Flare
Thread size ¾ x 7/8

501-275
Horizontal Tube O
Thread size 1 x 14



1A
SD5
11:00 Vert. Flare
with schraders



2A
SD5
Vert. Flare
with schraders



3A
SD5



421-515BL
BL
SD5
Vert. Flare
with schraders



421-515C
C
SD5
Vert. Tube & O



421-515CB
CB
SD7
Vert. Tube & O



CE
SD5
Vert. Tube & O
DEEP



D
SD5
11:00 Horiz. Pad



E
SD5
Vert. Flare



EB
SD7
Vert. Flare
with schraders



FB
SD5
Vert. O-ring



FC
SD7
Vert. O-ring
with schraders



FE
SD5
Vert. O-ring
with schraders & blowoff



421-515FG
FG
SD5
Vert. O-ring
with schraders



FH
SD7
Vert. O-ring



FJ
SD7
Vert. O-ring
with schraders & blowoff



FK
SD7
Vert. O-ring
DEEP with schraders



421-515FL
FL
SD5
Vert. O-ring



FM
SD5
Vert. O-ring
with schraders & blowoff



421-515FN
FN
SD5
Vert. O-ring
with schraders



FQ
SD5
Vert. O-ring with switch
with schraders & blowoff



FR
SD7
Vert. O-ring with switch
with blowoff



FZ
SD7
Vert. O-ring
with blowoff



GC
SD7



GD
SD7
with blowoff



GE
SD7
with blowoff



GF
SD7
3:00 Side Pad
with blowoff



GH
SD7
Rear Vert. Pad
with blowoff



GJ
SD7
Rear Vert. Pad
with blowoff



GK
SD7
Rear Vert. Pad
with schrader & blowoff

421-515GK



GL
SD7
Rear Vert. O-ring



GN
SD7
3:00 Side Pad
DEEP with blowoff



GQ
SD7
3:00 Side Pad
DEEP with blowoff



GV
SD7
Rear Horiz Pad
421-515GV



JD
SD7
Vert. O-ring
421-515JD



JE
SD7
Vert. O-ring



K
SD5
Horiz. O-ring
DEEP
421-515K



KB
SD5
Horiz. O-ring



KC
SD7
Rear Vert. O-ring
DEEP
421-515KC



KD
SD7
Rear Vert. O-ring
DEEP with blowoff



KG
SD7
Rear Vert. O-ring

421-515KG



M
SD5
Rear Horiz. Tube & O

421-515M



MB
SD7
Rear Vert. Tube & O



MD
SD7
Rear Horiz. Tube & O

421-515MD



MJ
SD7
Rear Horiz. Tube & O
with blowoff



MJ2
SD7
Rear Horiz. Tube & O



N
SD5
Vert. Tube & O
with schraders



NB
SD7
Vert. Tube & O
with schraders



PC
SD7
Top Pad
with blowoff



Q
SD5
Rear Horiz. Pad
421-515Q



QB
SD5
Rear Horiz. Pad
with schrader & blowoff



QC
SD7
Rear Vert. Pad
421-515QC



QD
SD7
Rear Vert. Pad
with blowoff



QH
SD5
Rear Horiz. Pad
with blowoff
421-515QH



QJ
SD7
Rear Vert. Pad
DEEP

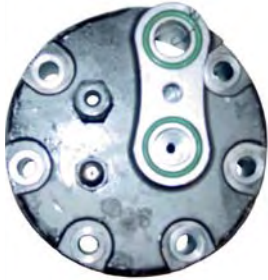


QK
SD7
Top Pad
DEEP with schraders



QM
SD5
Rear Horiz. Pad
with blowoff

421-515QM



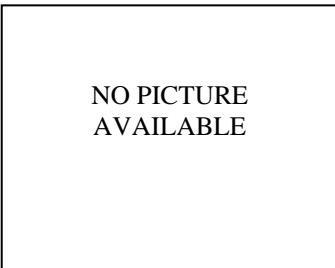
QS
SD7
Rear Vert. Pad
DEEP with blowoff



QU
SD7
Top Pad
with schraders & blowoff



QY
SD7
Rear Vert. Pad
DEEP with blowoff

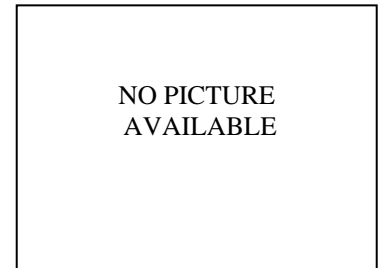


NO PICTURE
AVAILABLE

R
SD5
Top Pad
DEEP with schraders



RB
SD5
Top Pad
DEEP



NO PICTURE
AVAILABLE

RC
SD7
Top Pad
DEEP



SH
SD7
Rear Vert. Pad
DEEP



SJ
SD7 with switch
Top Pad
with blowoff



SJ2
SD7
Rear Vert. Pad
with blowoff



SJ3
SD7
Rear Vert. Pad



SR
SD7
Top Pad



SY
SD7
Top Pad
with schrader & blowoff



U
SD5
Top Pad



U2
SD7
Top Pad
with blowoff



UB
SD5
Top Pad
421-515UB



UC
SD5
Top Pad



UD
SD5
Rear Horiz. Pad



UG
SD5
Top Pad
with schraders



UJ
SD5
Top Pad



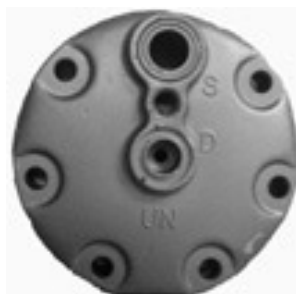
UK
SD7
Top Pad
421-515UK



UL
SD7
11:00 Pad
with schraders



UM
SD7
Top Pad
with schraders



UN
SD7
Rear Vert. Pad



UP
SD7
11:00 Side Pad



UP2
SD7
Top Pad



US
SD7
Top Pad



UW
SD7
Rear Vert. Pad
with blowoff



UZ
SD7
Top Pad
with blowoff



VQB
SD7
Rear 45° Pad
DEEP with blowoff



VQD
SD7
Rear 45° Pad
DEEP with blowoff



VQL
SD7
Rear Pad - 2 bolt
DEEP with blowoff



VQN
SD7
Rear 45° Pad
DEEP with blowoff



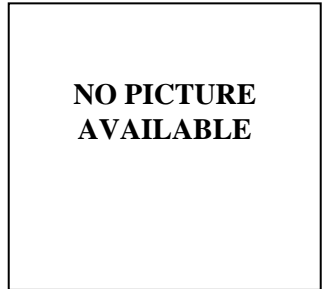
VQR
SD7
Rear 45° Pad
with blowoff



VQS
SD7
Rear 45° Pad
with blowoff



VQT
SD7
Rear Pad - 2 bolt
DEEP with schrader



W
SD5
Top Pad



WB
SD7
11:00 Side Pad
with schrader & blowoff



WD
SD7
Top Pad



WE
SD7
Rear Pad - 2 bolt
with blowoff



WF
SD5 with switch
Top Pad
with blowoff



WH
SD5 with switch
2:00 Side Pad
with blowoff



WJ
SD7 with switch
Top Pad
with blowoff



WV
SD7
Rear Pad - 2 bolt
with blowoff
421-515WV



Z
SD5
10:00 Side Pad
with schraders



U4853
SD7
Top Pad - 1 bolt
with blowoff

**NO PICTURE
AVAILABLE**

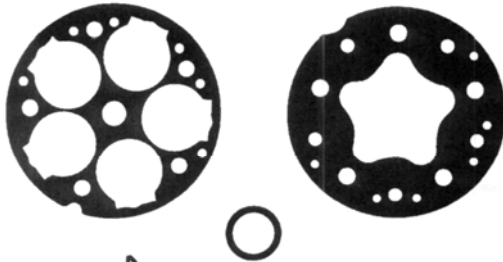
U4825, U4729, U4847
SD7
Top Pad - 1 bolt
DEEP with blowoff



U4852
SD7
Top Pad - 2 bolt

5 CYLINDER

Sanden SD505 / 507 / 508 / 510
OEM Gasket Kit



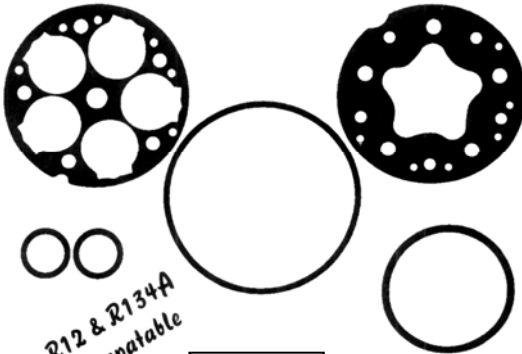
*R12 & R134A
Compatible*

421-740



421-740-1

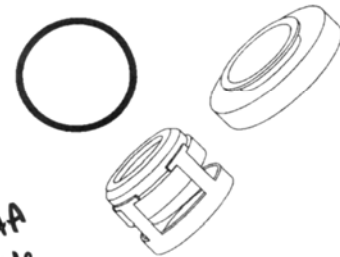
Sanden SD505 / 507 / 508 / 510
O-ring & Gasket Kit (Fiber Gaskets)



*R12 & R134A
Compatible*

421-708

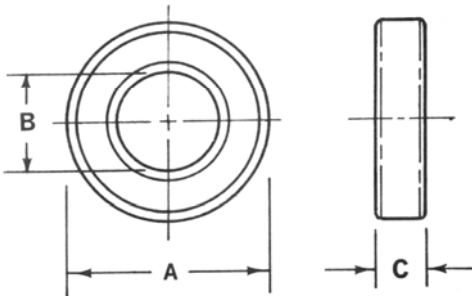
Sanden SD507 / 508 / 510
Shaft Seal Kit



*R12 & R134A
Compatible*

421-706

CLUTCH BEARING REPLACEMENTS



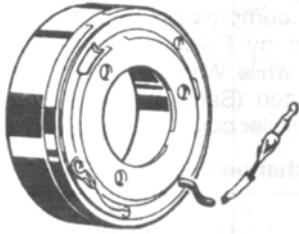
422-929

CLUTCH BEARING

DIM.	MM	Thousands	Inches Approx.
A	62	2.438	2-7/16"
B	40	1.571	1-9/16"
C	21	.809	13/16"

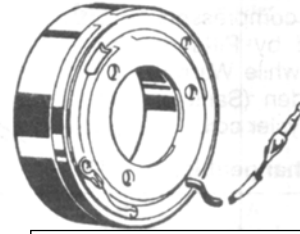
5 CYLINDER

Sanden (Sankyo)



SANDEN 12VOLT FIELD COIL
422-906

Sanden (Sankyo)



SANDEN 24VOLT FIELD COIL
422-907



421-752

DUST SHIELD

WITH 3 SCREWS FOR 5.25" DIA.
CLUTCH ON SANDEN (SANKYO)
COMPRESSORS.



422-909

12V 6" Sanden field coil for
variable clutch assy #422-110

NO PICTURE

422-912

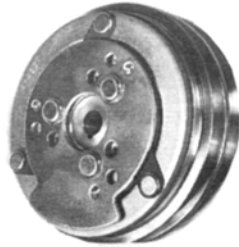
Sanden field coil 24v for cat
equipment (5) cylinder
compressors



421-745

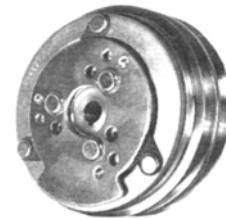
Sanden service valve ports for
R12 compressors with o-ring.

5 CYLINDER SANDEN CLUTCH ASSEMBLIES



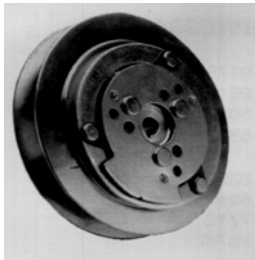
5.25" DIA. TWO "A" GROOVE PULLEY.
12 V. DC. FOR SANDEN (SANKYO)
COMPRESSOR

422-821



5.25", 2 GROOVE, 24 VOLT SANDEN

422-824



422-110
422-210



422-827

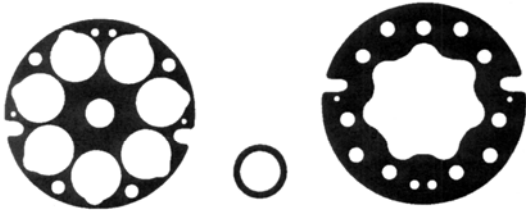


422-310

PART #	SD#	DIAMETER	GROOVES	VOLTS	COMPRESSOR
422-110	SD510	158mm	1C	12V	4511, 4515, 919, 9122, 9675
422-210	SD510	158mm	1C	24V	9122
422-827	SD508	125mm	PV10	12V	4508, 4626, 9513, 5411, 5415
422-310	SD510	126mm	1 OVERHANGE	12V	4506, 4510, 4513, 4521, 4509

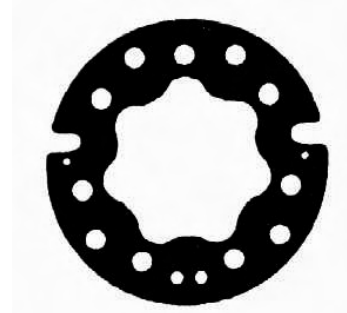
7 CYLINDER

Sanden SD708 / SD709
OEM Gasket Kit



*R12 & R134A
Compatible*

421-741



421-741-1

Sanden SD5 & 7 cylinder
Shaft Seal Kit

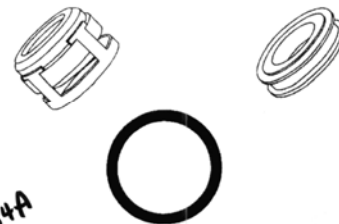
LIP SHAFT SEAL



*R134A
Compatible*

421-707

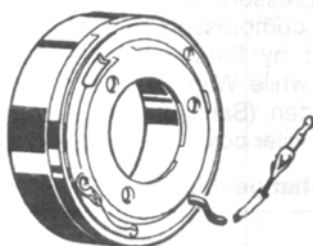
Sanden SD708 / 709
Shaft Seal Kit



*R12 & R134A
Compatible*

422-705

Sanden (Sankyo)



Sanden 709

422-709 12V field coil

422-710 24V field coil



422-911 Sanden field coil 24v for cat equipment (7)
cylinder compressors

422-911-12 Sanden Field coil 12 V for cat
equipment (7) cylinder compressor



422-927 Sanden 7
Cylinder
clutch bearing



422-707 12v 119mm PV8
422-707-24 24v 119mm PV8
422-711 12v 119mm PV6
422-712 12v 125mm PV8



422-706 12v 125mm
422-708 24v 125mm
422-706-2 12v 132mm
422-706-24 24v 132mm



422-704 12v 158mm
422-704-24 24v 158mm



422-617 12v 138mm
422-617-24 24 138mm

SELTEC / DIESEL KIKI COMPRESSORS

PART#	TYPE	GROOVES	VOLTS	HEAD	FITTING
520-2080	TM8	4GR	12V	CAST	V Oring
520-4041	TM13	2GR	12V	CAST	H-Oring
520-5011	TM15	2GR	12V	CAST	V-Oring
520-5015	TM15	2GR	24V	CAST	V-Oring
520-5030	TM15	2GR	12V	CAST	H-Oring
520-5122	TM15	8GR	12V	CAST	H-Oring
520-0270	TM16	8GR	12V	BOLT ON	H-1x14
520-4705	TM16	8GR	12V	CAST	V-Pad
520-6021	TM16	2GR	12V	CAST	V-Oring
520-6011	TM16	2GR	12V	BOLT ON	V-Oring
520-6015	TM16	2 GR	24V	CAST	V-Oring
520-6030	TM16	2GR	12V	BOLT ON	H-Oring
520-6065	TM16	VGR	12V	CAST	V-Oring
520-6121	TM16	8GR	12V	CAST	V-Oring
520-7242	TM21	2GR	24V	BOLT ON	H 1x14
520-6540	TM31	8GR	12V	CAST	V-Oring



520-0270

Model: TM16
Voltage: 12V
Clutch: 8GR
Dia: 123MM
Mount: EAR
Tailplate: H ROTO



520-2080

Model: TM8
Voltage: 12V
Clutch: 4GR
Dia: 123MM
Mount: ALT
Tailplate: VOR



520-4041

Model: TM13
Voltage: 12V
Clutch: 2GR
Dia: 125MM
Mount: EAR
Tailplate: HOR



520-4705

Model: TM16HD
Voltage: 12V
Clutch: 8GR
Dia: 123MM
Mount: EAR
Tailplate: V PAD



520-5011

Model: TM15
Voltage: 12V
Clutch: 2GR
Dia: 135MM
Mount: EAR
Tailplate: VOR



520-5015

Model: TM15
Voltage: 24V
Clutch: 2GR
Dia: 135MM
Mount: EAR
Tailplate: VOR



520-5030

Model: TM15
Voltage: 12V
Clutch: 2GR
Dia: 135MM
Mount: EAR
Tailplate: HOR



520-5122

Model: TM15
Voltage: 12
Clutch: 8GR
Dia: 123MM
Mount: EAR
Tailplate: HOR



520-6011

Model: TM16
Voltage: 12V
Clutch: 2GR
Dia: 135MM
Mount: EAR
Tailplate: VOR



520-6015

Model: TM16
Voltage: 24V
Clutch: 2GR
Dia: 135MM
Mount: EAR
Tailplate: VOR



520-6021

Model: TM16
Voltage: 12V
Clutch: 2GR
Dia: 135MM
Mount: EAR
Tailplate: VOR



520-6030

Model: TM16
Voltage: 12V
Clutch: 2GR
Dia: 135MM
Mount: EAR
Tailplate: HOR



520-6065

Model: TM16
Voltage: 12V
Clutch: 1GR
Dia: 159MM
Mount: EAR
Tailplate: VOR



520-6121

Model: TM16
Voltage: 12V
Clutch: 8GR
Dia: 123MM
Mount: EAR
Tailplate: VOR



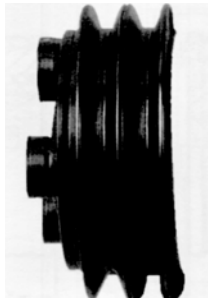
520-6540

Model: TM31
Voltage: 12V
Clutch: 8GR
Dia: 152MM
Mount: DIRECT
Tailplate: VOR

NO PICTURE
AVAILABLE

520-7242

Model: TM21
Voltage: 24V
Clutch: 2GR
Dia: 135MM
Mount: DIRECT
Tailplate: H ROTO

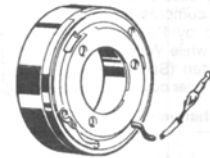


422-799 12V 125MM
422-800 24V 135MM



422-801 Deisel Kiki Clutch
Assy 12v 8gr 119MM

Field Coil

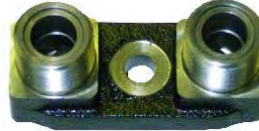


422-802 24V Diesel Kiki
Field Coil

422-803 12V Diesel Kiki
Field Coil



Seltec Fitting Bolt on TM Series w/o Charge Ports
517-024 #8 MIO x #10 MIO
501-273 #10 MIO x #12 MIO



501-275
 Seltec Fitting Bolt on TM Series Horizontal Tube-O 1x14



421-515TM
 Seltec Fitting Bolt on TM Series Horizontal O-ring



520-756
 Seltec Service Port o-ring

NIPPONDENSO COMPRESSORS

Part #	Model	Voltage	Clutch	Dia	Gauge Line	Mount	
520-E171	6E171	12V	1GR	146MM	48.2MM	EAR	REMAN
520-E171N	6E171	12V	1GR	146MM	48.2MM	EAR	NEW
520-E172	10PA17C	12V	1GR	146MM	35MM	DIRECT	REMAN
520-E173	10PA15C	12V	8GR	124.5 MM	54.35MM	DIRECT	REMAN
520-E173N	10PA15C	12V	8GR	124.5MM	54.35MM	DIRECT	NEW
520-E174N	10PA17C	12V	8GR	146MM	63.5MM	DIRECT	NEW
520-E175N	10PA17C	12V	1GR	146MM	54MM	DIRECT	NEW
520-E176N	10PA17C	12V	1GR	146MM	35MM	DIRECT	NEW
520-E177N	10PA17C	12V	1GR	146MM	35MM	DIRECT	NEW
520-E178N	10PA17C	24V	8GR	145MM	----	DIRECT	NEW
520-E179N	10PA15C	24V	1GR	152MM	72.39MM	DIRECT	NEW
520-2407	SCSA06C	12V	1GR	122MM	76MM	DIRECT	NEW
520-2408	SCS06C	12V	1GR	122MM		DIRECT	NEW

NIPPONDENSO COMPRESSOR



520-E171
520-E171N

Model: 6E171
Voltage: 12V
Clutch: 1GR
Dia: 146MM
Mount: EAR



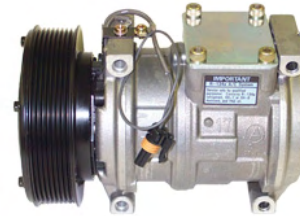
520-E172

Model: 10PA17C
Voltage: 12V
Clutch: 1GR
Dia: 146MM
Mount: DIRECT



520-E173
520-E173N

Model: 10PA15C
Voltage: 12V
Clutch: 8GR
Dia: 124.5MM
Mount: DIRECT



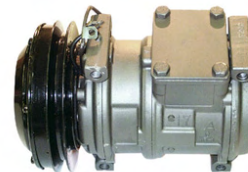
520-E174N

Model: 10PA17C
Voltage: 12V
Clutch: 8GR
Dia: 146MM
Mount: DIRECT



520-E175N

Model: 10PA17C
Voltage: 12v
Clutch: 1GR
Dia: 146MM
Mount: DIRECT



520-E176N

Model: 10PA17C
Voltage: 12V
Clutch: 1GR
Dia: 146MM
Mount: DIRECT



520-E177N

Model: 10PA17C
Voltage: 12V
Clutch: 1GR
Dia: 146MM
Mount: DIRECT



520-E178N

Model: 10PA17C
Voltage: 24V
Clutch: 8GR
Dia: 145MM
Mount: DIRECT



520-E179N

Model: 10PA15C
Voltage: 24V
Clutch: 1GR
Dia: 152MM
Mount: DIRECT



520-2407

Model: SCSA06C
Voltage: 12V
Clutch: 1GR
Dia: 122MM
Mount: DIRECT



520-2408

Model: SCS06C
Voltage: 12V
Clutch: 1GR
Dia: 122MM
Mount: DIRECT

HYDRAULIC COMPRESSOR



520-9100

The perfect solution when you can't run the compressor directly from the engine.
 Compact design with mounting brackets.
 L=17.75" W=6.75" H=6.25"

A-6 COMPRESSORS R-12 & R134A VALIDATED



PART#	TYPE	SWITCH	DIA.	GROOVES	COIL	VOLTS
440-270	REMAN	SHS	5.58	1	10.00	12V
440-270N	NEW	SHS	5.58	1	10:00	12V
440-271N	NEW	NONE	5.00	1	2:00	12V
440-272	REMAN	SHS	5.58	1	2.00	12V
440-272N	NEW	SHS	5.58	1	2:00	12V
440-273	REMAN	HSPS	5.58	1	10.00	12V
440-274N	NEW	NONE	6.77	1	2:00	24V
440-274R	REMAN	NONE	6.77	1	2.00	24V
440-474-12	REMAN	NONE	6.77	1	10.00	12V
440-474-12N	NEW	NONE	6.77	1	10:00	12V
440-571N	NEW	HSPS	5.00	1	2:00	12V

Legend: HSPS = High side pressure switch
 SHS = Superheat switch

NOTE: compressors shipped with:

ORANGE TAG: containing no oil, the proper refrigerant oil must be added during installation

GREEN TAG: some compressors are shipped containing mineral oil which is compatible with R-12 and can be converted to 134a

THE COMPRESSOR BOXES ARE CLEARLY MARKED WITH GREEN OR ORANGE TAGS

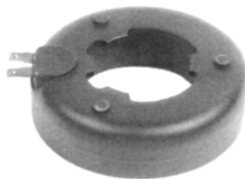
A-6 CUTCH ASSEMBLIES

422-401

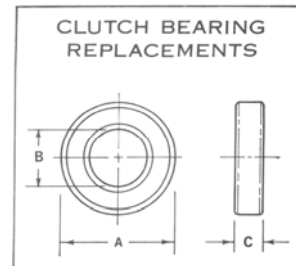

422-403

CLUTCHES SHOWN W/O COIL TO SHOW BETTER DETAIL

PART #	TYPE	DIAMETER	GROOVES	VOLTS	COMMENTS
422-401	A6	5.00"	1	12V	STANDARD A6
422-401-24	A6	5.00"	1	24V	STANDARD A6
422-403	A6	7.00"	1	12V	AGRICULTURE A6
422-403-24	A6	7.00"	1	24V	AGRICULTURE A6
422-011	A6	5.60"	1	12V	AGRICULTURE A6



PART #	VOLTS	APPLICATION	I.D.	O.D.	DEPTH
423-400	24V	GM A6 REMFD	2.313"	4.125"	1.375"
423-401	12V	GM A6 REMFD	2.313"	4.125"	1.375"

CLUTCH BEARING

FOR GENERAL MOTORS 1959-1984 ALL.
CLUTCH BEARING REPLACEMENT

DIM.	MM	Thousands	Inches Approx.
A	62	2.438	2-7/16"
B	40	1.571	1-9/16"
C	21	.809	13/16"



421-710 GM R4/A6 (Except 1983-84 Two Piece Type Seal) HR6/v5 Teflon Lip Shaft Seal Kit (Single Lip Type)



440-500 A-6 Pressure Relief Valve

421-713 A6 Standard single row bearing
421-714 A6 Heavy duty two row bearing

GM 5/8" Thick Sealing Washer Kit



440-642

GM 5/8" Thick Sealing Washer Kit
With Insert Pilots



440-643

GM 5/8" Thin Sealing Washer Kit



440-644

GM 5/8" and 3/4" Thin Sealing Washer Kit



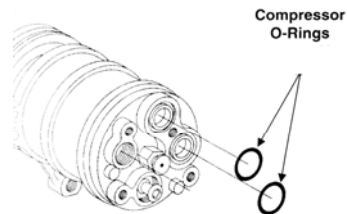
440-645

GM A6/R4 Metal (full) Shaft
Seal Kit



Ceramic
(Short)

421-750

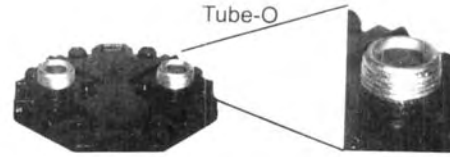


Compressor
O-Rings

440-530 Oval A-6 "o" ring
service valves

440-529 Round A-6 "o"
ring service valves

YORK COMPRESSORS



Tube "O" York Compressor

440-230	Left Hand suction	Reman
440-230N	Left Hand Suction	New
440-233	Right hand suction	Reman
440-233N	Right Hand Suction	New



Rotolock York Compressors

440-280	Right hand suction	Reman
440-281	Left hand suction	Reman
440-281N	Left Hand Suction	New



Heavy Duty Flange York Compressors

440-283	Right hand suction
---------	--------------------

FIELD COILS



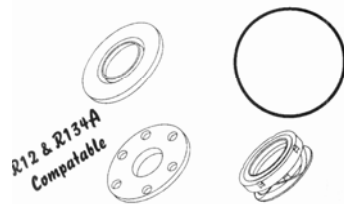
422-915	12V 6" DC Flange Mount
422-908	12V 7" DC Flange mount
422-914	24V 7" DC Flange mount

YORK CLUTCH ASSEMBLIES



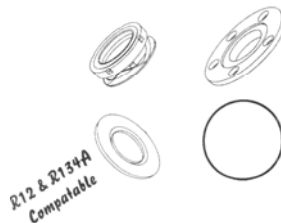
PART#	TYPE	DIA	VOLTAGE	PART#	TYPE	DIA	VOLTAGE
422-001	6GR	6 11/16"	12V	422-806	6GR	6 5/16"	12V
422-008	6GR	6 5/16"	12V	422-807	2GR	6"	12V
422-013	1GR	6"	12V	422-807-24	2GR	6"	24V
422-096	1GR	6"	12V	422-808	1GR	6"	12V
422-097	1GR	6.7"	12V	422-809	2GR	7"	12V
422-295	2GR	6"	12V	422-809-24	2GR	7"	24V
422-539	1GR	7"	12V	422-810	8GR	5 3/8"	12V
422-612	6GR	147MM	12V	422-811	1GR	6 5/8"	12V
422-804	8GR	5 13/16"	12V	422-818	1GR	6.7"	12V
422-805	2GR	6"	12V				

York 6 Bolt (7/32" Hole) w/Dust Shield
Shaft Seal Kit



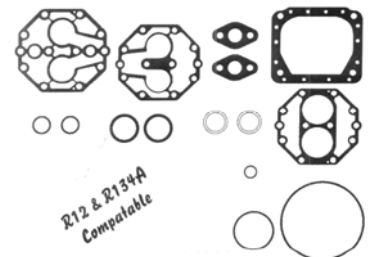
421-702

York 5 Bolt w/Dust Shield
Shaft Seal Kit

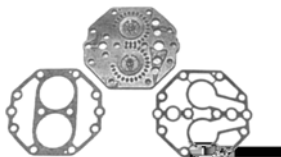


421-703

York (Full Size) Late & Early
O-ring & Gasket Kit (Fiber Gaskets)



421-705



VALVE PLATE ASSEMBLY

YORK 206, 209, 210. INCLUDES
VALVE PLATE AND CYLINDER HEAD
GASKETS. 1968-1976.

421-724



REAR BEARING

YORK, 206, 209, 210, 1967-1977

422-712



FRONT BEARING

YORK 206, 209, 210, 1970-1977.

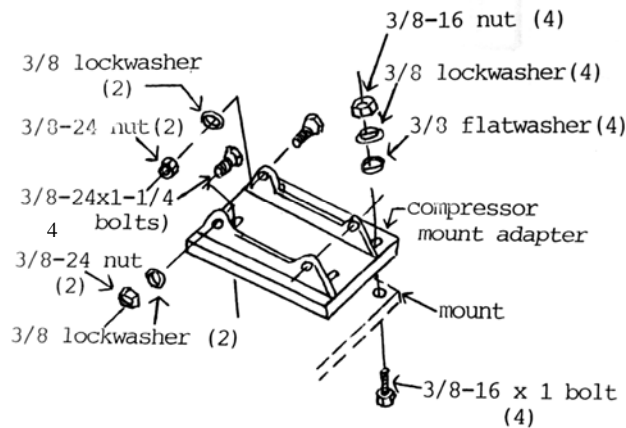
421-738

CONVERSION MOUNT KITS



Converts OEM compressor set ups to Sanden compressor
Come complete with compressor, mount, hardware, belt,
DTZ/ALLIS 6080- Replaces R4 compressor on 6060,6070,6080, tractors
DTZ/ALLIS CONV Replaces R4 compressor on 8010,8030,8050,8070 tractors.
FORD CONVERSION Replaces rotary Techumseh compressor to Sanden

UNIVERSAL COMPRESSOR MOUNTS



520-450
COMPRESSOR MOUNT
ADJUSTER EAR SET
(NO HARDWARE)

520-450-1
COMPRESSOR
MOUNTADJUSTER EAR
W/HARDWARE KIT

440-275
UNIVERSAL ADAPTER MOUNTING
PLATE
(NO HARDWARE)

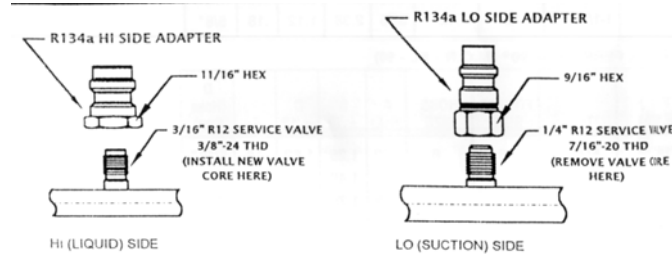
Converts York mounting plates to Sanden
(Sankyo) mounting plates.

440-275-1
UNIVERSAL ADAPTER MOUNTING
PLATE W/HARDWARE KIT

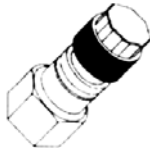
- (4) 3/8" X 1" Bolts
- (4) 3/8" X 1 1/2" Bolts
- (8) 3/8" Lock Washers
- (8) 3/8" Flat Washers
- (8) 3/8" Nuts

- (4) 3/8" X 1" Bolts
- (4) 3/8" X 1 1/2" Bolts
- (8) 3/8" Lock Washers
- (8) 3/8" Flat Washers
- (8) 3/8" Nuts

R134a Retro Fit Service Adapters



Made of Steel

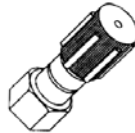


HIGH

Screw-On Adapter
Straight 16mm(1/4")

535-361

Made of Steel

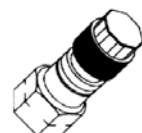


LOW

Screw-On Adapter
Straight 13mm(1/4")

535-363

Made of Steel

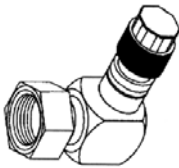


HIGH
AUTO

Screw-On Adapter
Straight 16mm(3/16")

535-362

Made of Steel

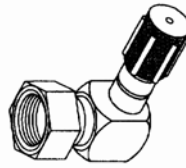


HIGH

Screw-On Adapter 90°
16mm(1/4")

535-364

Made of Steel

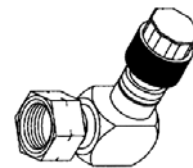


LOW

Screw-On Adapter 90°
13mm(1/4")

535-365

Made of Steel



HIGH
AUTO

Screw-On Adapter 90°
16mm(3/16")

535-366

CHARGE PORT CAPS



514-420: Low side R134a
514-421: High side R134a

VALVE CORES



429-384 R134a Domestic Eaton SSV
High Flow M10 w/Neoprene Seal
429-382 R134a JRA Import High Flow
M6 w/HNBR Seal
429-374 R134a Domestic Eaton SSV
High Flow M8 w/Neoprene
Seal
429-121 Standard schrader valve cores

SERVICE VALVES



Rotolock to O-Ring

PART #	COMP THREAD SIZE	FITTING TYPE	FITTING SIZE	FITTING THREAD
421-695	1"-14	O-RING	#8	¾"-16
421-696	1"-14	O-RING	#10	7/8"-14



Rotolock to O-Ring

PART #	COMP THREAD SIZE	FITTING TYPE	FITTING SIZE	FITTING THREAD
421-631	1"-14	O-RING	#8	¾"-16
421-632	1"-14	O-RING	#10	7/8"-14



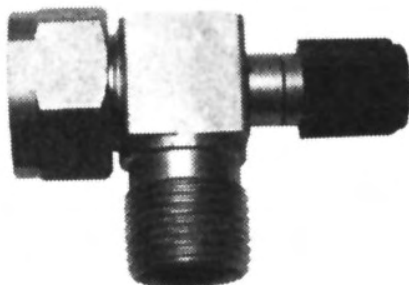
Rotolock to O-Ring

PART #	COMP THREAD SIZE	FITTING TYPE	FITTING SIZE	FITTING THREAD
421-631-3	1"-14	O-RING	#8	¾"-16
421-632-3	1"-14	O-RING	#10	7/8"-14



Beadlock to Tube O-Ring

PART #	COMP THREAD SIZE	HOSE SIZE
421-642-3	1"-14	#8
421-643-3	1"-14	#10



Tube "O" to O-Ring

PART #	COMP THREAD SIZE	FITTING TYPE	FITTING SIZE	FITTING THREAD
421-696-3	1"-14	O-RING	#10	7/8"-14



Tube "O" to O-Ring

PART #	COMP THREAD SIZE	FITTING TYPE	FITTING SIZE	FITTING THREAD
421-624-3	1"-14	O-RING	#8	¾"-16
421-625-3	1"-14	O-RING	#10	7/8"-14



Tube "O" to O ring

PART#	COMP THREAD	FITTING TYPE	FITTING SIZE	FITTING THREAD
421-628	1" 14	O RING	#8	3/4" -16
421-629	1"-14	O-RING	#10	7/8"-14



421-682 Flange to Rotolock adapter



421-683 Tube O to Rotolock Adapter

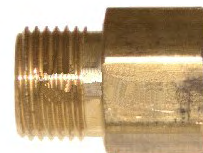


421-684 Adapter – Straight
Thread Size 1"-14
Converts Rotolock Compressor Head to
Tube o-ring Style



O-Ring to Flare Adapter

420-443	#6
420-444	#8
420-424	#10



Flare to O ring		Flare to Metric O ring	
420-435	#6 FF to 6 MIO	420-430	#6FF to M14 MIO
420-436	#8 FF to 8 MIO	420-431	#6FFto M16 MIO
420-437	#10 FF to 10 MIO		
420-438	#8 FF to 10 MIO		



421-520
Compressor cap #8



421-521
Compressor cap #10



421-523
Compressor cap- Rotolock



- 520-737** #6 "O" Ring (20 PKS)
- 520-737-1** #6 "O" Ring Individual
- 520-738** #8 "O" Ring (20 PKS)
- 520-738-1** #8 "O" Ring Individual
- 520-739** #10 "O" Ring (20 PKS)
- 520-739-1** #10 "O" Ring Individual
- 520-740** #12 "O" Ring (20 PKS)
- 520-740-1** #12 "O" Ring Individual

700-100 "O" Ring assortment
(6 each #6, 3 each# 8,10, and
3 service valve seals)



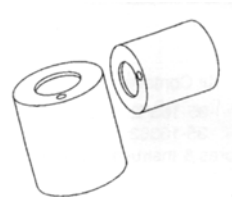
520-755
#4 FOR expansion valve



421-735
Service Valve Seal
(York Rotolock)



- 421-678** Compression fitting #10 barbed
- 421-679** Compression fitting #12 barbed
- 421-680** Compression fitting #6 barbed
- 421-681** Compression fitting #8 barbed



Standard Steel Ferrule

- 420-473** #6
- 420-474** #8
- 420-475** #10
- 420-476** #12



- BRAZE-ON BARBS**
- 420-447** #6 brass barb
 - 420-448** #8 brass barb
 - 420-449** #10 brass barb
 - 420-450** #12 steel barb

ALUMINUM BEADLOCK FITTINGS



90° FEMALE FLARE

PART #	FTG SIZE	THREAD SIZE	HOSE SIZE	HOSE ID
535-B322F	8	3/4"-16	8	13/32"
W / R134 PORT				
535-B122-3	8	3/4"-16	8	13/32"
535-B123-3	10	7/8"-14	10	1/2"



STRAIGHT FEMALE FLARE

PART#	FTG SIZE	THREAD SIZE	HOSE SIZE	HOSE ID
535-B308	8	3/4"-16	6	5/16"



STRAIGHT FEMALE O RING

PART#	FTG SIZE	THREAD SIZE	HOSE SIZE	HOSE ID
535-B301	6	5/8"-18	6	5/16"
535-B302	8	3/4"-16	8	13/32"
535-B303	10	7/8"-14	10	1/2"
535-B304	12	1 1/16"-14	12	5/8"
535-B305	6	5/8"-18	8	13/32"
535-B306	8	3/4"-16	10	1/2"
535-B307	10	7/8"-14	12	5/8"



45° FEMALE O RING

PART#	FTG SIZE	THREAD SIZE	HOSE SIZE	HOSE ID
535-B311	6	5/8"-18	6	5/16"
535-B313	10	7/8"-14	10	1/2"
535-B315	6	5/8"-18	8	13/32"
535-B317	10	7/8"-14	12	5/8"
W/ R134 PORT				
535-B313-3	10	7/8"-14	10	1/2"

ALUMINUM BEADLOCK FITTINGS



90° FEMALE O RING

PART#	FTG SIZE	THREAD SIZE	HOSE SIZE	HOSE ID
535-B321	6	5/8"-18	6	5/16"
535-B322	8	3/4"-16	8	13/32"
535-B323	10	7/8"-14	10	1/2"
W/ R12 PORT				
535-B322-1	8	3/4"-16	8	13/32"
535-B323-1	10	7/8"-14	10	1/2"
535-B325	6	5/8"18	8	13/32"
535-B326	8	3/4"-16	10	1/2"
535-B327	10	7/8"-14	12	5/8"
535-B328	8	3/4"-16	6	5/16"



STRAIGHT MALE O RING

PART#	FTG SIZE	THREAD SIZE	HOSE SIZE	HOSE SIZE
535-B401	6	5/8"-18	6	5/16"
535-B403	10	7/8"-14	10	1/2"
535-B407	10	7/8"14	12	5/8"
W/ 1/4" PORT				
535-B403-1	12	1 1/16"-14	10	1/2"



90° MALE O RING

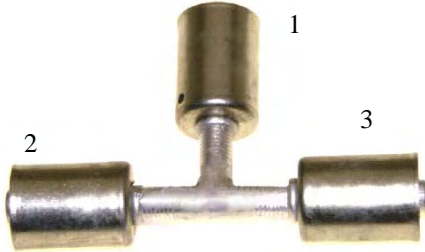
PART#	FTG SIZE	THREAD SIZE	HOSE SIZE	HOSE ID
535-B423	10	7/8"-14	10	1/2"
535-B425	6	5/8"-18	8	13/32"
535-B427	10	7/8"-14	12	5/8"



STRAIGHT SPLICER

PART #	HOSE SIZE FROM	HOSE SIZE TO	HOSE I.D. FROM	HOSE I.D. TO
535-B101	6	6	5/16"	5/16"
535-B102	8	8	13/32"	13/32"
535-B103	10	10	1/2"	1/2"
STEEL				
535-SB101	6	6	5/16"	5/16"
535-SB102	8	8	13/32"	13/32"
535-SB103	10	10	1/2"	1/2"
535-SB106	8	10	13/32"	1/2"

ALUMINUM BEADLOCK FITTINGS



T-SPLICER

PART #	TUBE #1	TUBE #2	TUBE #3
535-B206	6	8	8
535-B202	8	8	8
535-B210	10	12	12
535-B204	12	12	12
STEEL			
535-SB201	6	6	6
535-SB210	12	12	12
535-SB202	8	8	8
535-SB203	10	10	10



**SPLICERS
WITH 1/4" R12 CHARGE PORT**

PART#	HOSE SIZE	HOSE SIZE	HOSE ID
535-B101-1	6	6	5/16"
535-B102-1	8	8	13/32"
535-B103-1	10	10	1/2"
535-B104-1	12	12	5/8"
STEEL			
535-SB101-1	6	6	5/16"
535-SB102-1	8	8	13/32"
535-SB103-1	10	10	1/2"



90° ALUMINUM SPLICER

PART#	HOSE SIZE	HOSE SIZE	HOSE ID
535-B121	6	6	5/16"
535-B122	8	8	13/32"
535-B123	10	10	1/2"
535-B124	12	12	5/8"



**SPLICER
WITH R134a CHARGE PORT**

PART#	HOSE SIZE	HOSE SIZE	HOSE ID
535-B101-3	6	6	5/16"
535-B103-3	10	10	1/2"
535-B104-3	12	12	5/8"
535-B102-3	8	8	13/32"

ALUMINUM BEADLOCK FITTINGS



90° MALE INSERT O RING

PART #	FITTING SIZE	THREAD SIZE	HOSE SIZE	HOSE ID
535-B821	6	5/8"-18	6	5/16"
535-B823	10	7/8"-14	10	1/2"



STR MALE INSERT O RING

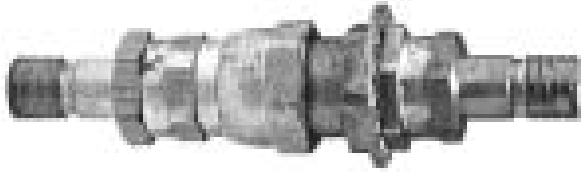
PART #	FITTING SIZE	THREAD SIZE	HOSE SIZE	HOSE ID
535-B801	6	5/8"-18	6	5/16"
535-B802	8	3/4"-16	8	13/32"
535-B803	10	7/8"-14	10	1/2"



45° MALE INSERT O RING

PART #	FITTING SIZE	THREAD SIZE	HOSE SIZE	HOSE ID
535-B811	6	5/8"-18	6	5/16"

QUICK DISCONNECT



Part #	Description
300-806	#6 Male "O" ring 1" dia. Mounting hole required
300-812	#10 Male "O" ring 1 1/2" Dia. Mounting hole required

Quick Disconnect "O" ring

22546-17	#8 "O" ring
22546-23	#10 "O" ring

ALUMINUM BARB FITTING



STRAIGHT MALE INSERT O-RING

PART #	FITTING SIZE	THREAD SIZE	HOSE SIZE	HOSE ID
420-233	10	7/8"-14	10	1/2"
420-332	10	7/8"-14	12	5/8"

ALUMINUM BARB FITTING



45° MALE INSERT O-RING

PART #	FITTING SIZE	THREAD SIZE	HOSE SIZE	HOSE ID
420-135	6	5/8"-18	8	13/32"

ALUMINUM BARB FITTING



90° MALE INSERT O-RING

PART #	FITTING SIZE	THREAD SIZE	HOSE SIZE	HOSE ID
420-137	6	5/8"-18	8	13/32"

ALUMINUM BARBED FITTINGS



STRAIGHT SPLICER

PART #	HOSE SIZE FROM	HOSE SIZE TO	HOSE I.D. FROM	HOSE I.D. TO
420-451	#6	#6	5/16"	5/16"
420-452	#8	#8	13/32"	13/32"
420-453	#10	#10	1/2"	1/2"
420-454	#12	#12	5/8"	5/8"
STEP-UP				
420-426	#6	#8	5/16"	13/32"
420-427	#8	#10	13/32"	1/2"
420-428	#10	#12	1/2"	5/8"



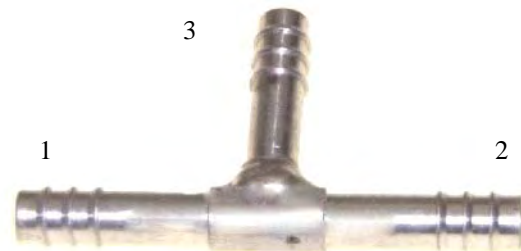
90° HOSE SPLICER

PART #	HOSE SIZE FROM	HOSE SIZE TO	HOSE I.D. FROM	HOSE I.D. TO
420-612	#8	#8	13/32"	13/32"
420-613	#10	#10	1/2"	1/2"
420-614	#12	#12	5/8"	5/8"



SPLICER WITH 1/4" R12 CHARGE PORT

PART #	HOSE SIZE	HOSE SIZE	HOSE SIZE
420-464	6	6	5/16"
420-477	8	8	13/32"
420-478	10	10	1/2"
420-479	12	12	5/8"
WITH 7/16" CHARGE PORT			
420-477-1	8	8	13/32"



ALUMINUM TEE SPLICER

PART #	TUBE SIZE #1	TUBE SIZE #2	TUBE SIZE #3
420-461	6	6	6
420-462	8	8	8
420-463	10	10	10
420-465	12	12	12

ALUMINUM BARBED FITTINGS



IN-LINE SPLICER W/R134 PORT

PART#	HOSE SIZE	HOSE ID
520-477-3	#8	13/32"
520-478-3	#10	1/2"
520-479-3	#12	5/8"



STRAIGHT FEMALE O RING WITH R-12 ACCESS PORT

PART#	FITTING SIZE	THREAD SIZE	HOSE SIZE	HOSE ID
535-302-1	8	3/4"-16	8	13/32"
535-303-1	10	7/8"-14	10	1/2"



45° FEMALE O RING W/R134 PORT

PART #	FITTING SIZE	THREAD SIZE	HOSE SIZE	HOSE ID
535-311-1	6	5/8"-18	6	5/16"
535-312-1	8	3/4"-16	8	13/32"
535-313-1	10	7/8"-14	10	1/2"



90° FEMALE O RING WITH R-12 PORT

PART #	FITTING SIZE	THREAD SIZE	HOSE SIZE	HOSE ID
535-322-1	8	3/4"-16	8	13/32"
535-323-1	10	7/8"-14	10	1/2"
535-523-1	10	7/8"-14	12	5/8"



STRAIGHT FEMALE O RING WITH R134 PORT

PART #	FITTING SIZE	THREAD SIZE	HOSE SIZE	HOSE ID
535-302-3	8	3/4"-16	8	13/32"
535-303-3	10	7/8"-14	10	1/2"



45° FEMALE O RING WITH R134 PORT

PART #	FITTING SIZE	THREAD SIZE	HOSE SIZE	HOSE ID
535-312-3	8	3/4"-16	8	13/32"
535-313-3	10	7/8"-14	10	1/2"

ALUMINUM BARBED FITTINGS



90° FEMALE O RING WITH R134 PORT

PART #	FITTING SIZE	THREAD SIZE	HOSE SIZE	HOSE ID
535-323-3	10	7/8"-14	10	1/2"



STRAIGHT FEMALE FLARE

PART #	FITTING SIZE	THREAD SIZE	HOSE SIZE	HOSE I.D.
420-001	6	5/8"-18	6	5/16"
420-101	8	3/4"-16	8	13/32"
420-201	10	7/8"-14	10	1/2"
420-304	12	1 1/16"-14	12	5/8"
STEP UP				
420-113	6	5/8"-18	8	13/32"
420-213	8	3/4"-16	10	1/2"
420-013	8	3/4"-16	6	5/16"
420-114	10	7/8"-14	8	13/32"
420-313	10	7/8"-14	12	5/8"



45° FEMALE FLARE

PART#	FITTING SIZE	THREAD SIZE	HOSE SIZE	HOSE ID
420-003	6	5/8"-18	6	5/16"
420-103	8	3/4"-16	8	13/32"
420-203	10	7/8"-14	10	1/2"
STEP UP				
420-116	10	7/8"14	8	13/32"



90° FEMALE FLARE

PART #	FITTING SIZE	THREAD SIZE	HOSE I.D.	HOSE I.D.
420-005	6	5/8"-18	6	5/16"
420-105	8	3/4"-16	8	13/32"
420-205	10	7/8"-14	10	1/2"
420-305	12	1/1/16"-14	12	5/8"
STEP UP				
420-117	6	5/8"-18	8	13/32"
420-217	8	3/4"-16	10	1/2"
420-317	10	7/8"-14	12	5/8"
420-017	8	3/4"-16	6	5/16"
420-118	10	7/8"-14	8	13/32"

ALUMINUM BARBED FITTINGS

90° MALE FLARE

PART #	FITTING SIZE	THREAD SIZE	HOSE SIZE	HOSE I.D.
420-006	6	5/8"-18	6	5/16"
420-106	8	3/4"-16	8	13/32"
420-206	10	7/8"-14	10	1/2"
STEP UP				
420-021	8	3/4"-16	6	5/16"
STEP DOWN				
420-121	6	5/8"-18	8	13/32"
420-221	8	3/4"-16	10	1/2"
420-321	10	7/8"-14	12	5/8"


STR MALE FLARE

PART #	FITTING SIZE	THREAD SIZE	HOSE SIZE	HOSE ID
420-002	6	5/8"-18	6	5/16"
420-102	8	3/4"-16	8	13/32"
420-202	10	7/8"-14	10"	1/2"
STEP UP				
420-119	6	5/8"-18	8	13/32"
420-219	8	3/4"-16	10	1/2"
420-319	10	7/8"-14	12	5/8"
420-019	8	3/4"-16	6	5/16"


STR FEMALE O RING

PART #	FITTING SIZE	THREAD SIZE	HOSE SIZE	HOSE I.D.
420-007	6	5/8"-18	6	5/16"
420-107	8	3/4"-16	8	13/32"
420-207	10	7/8"-14	10	1/2"
420-307	1	1 1/16"-14	12	5/8"
STEP UP				
420-022	8	3/4"-16	6	5/16"
420-122	6	5/8"-16	8	13/32"
420-123	10	7/8"-14	8	13/32"
420-222	8	3/4"-14	10	1/2"
420-223	12	1/16"-14	10	1/2"
420-322	10	7/8"-14	12	5/8"


45° FEMALE O RING

PART #	FITTING SIZE	THREAD SIZE	HOSE SIZE	HOSE I.D.
420-009	6	5/8"-18	6	5/16"
420-109	8	3/4"-16	8	13/32"
420-124	6	5/8"-18	8	13/32"
420-209	10	7/8"-14	10	1/2"
420-324	10	7/8"-14	12	5/8"

ALUMINUM BARBED FITTINGS



90° FEMALE O RING

PART #	FITTING SIZE	THREAD SIZE	HOSE SIZE.	HOSE I.D.
420-011	6	5/8"-18	6	5/16"
420-111	8	3/4"-16	8	13/32"
420-211	10	7/8"-14	10	1/2"
420-311	12	1 1/16"-14	12	5/8"
STEP UP				
420-125	6	5/8"-18	8	13/32"
420-225	8	3/4"-16	10	1/2"
420-325	10	7/8"-14	12	5/8"
420-025	8	3/4"-16	6	5/16"
420-226	12	1 1/16"-14	10	1/2"



STR MALE O RING

PART #	FITTING SIZE	THREAD SIZE	HOSE I.D.	HOSE I.D.
420-008	6	5/8"-18	6	5/16"
420-108	8	3/4"-16	8	13/32"
420-208	10	7/8"-14	10	1/2"
420-308	12	1 1/16"-14	12	5/8"
420-527	6	5/8"-18	10	1/2"
STEP UP				
420-027	8	3/4"-16	6	5/16"
420-127	6	5/8"-18	8	13/32"
420-128	10	7/8"-14	8	13/32"
420-227	8	3/4"-16	10	1/2"
420-228	12	1 1/16"-14	10	1/2"
420-327	10	7/8"-14	12	5/8"



90° MALE O RING

PART #	FITTING SIZE	THREAD SIZE	HOSE SIZE	HOSE I.D.
420-012	6	5/8"-18	6	5/16"
420-112	8	3/4"-16	8	13/32"
420-212	10	7/8"-14	10	1/2"
420-312	12	1 1/16"-14	12	5/8"
STEP UP				
420-030	8	3/4"-16	6	5/16"
420-130	6	5/8"-18	8	13/32"
420-131	10	7/8"-14	8	13/32"
420-230	8	3/4"-16	10	1/2"
420-231	12	1 1/16"-14	10	1/2"



BULKHEAD FITTINGS W/NUT

420-442	#6
420-445	#8
420-446	#10

BULKHEAD JAM NUT

203-845	#6
203-841	#8
203-846	#10

ALUMINUM BULKHEAD FITTINGS



STRAIGHT MALE FLARE

PART #	FITTING SIZE	THREAD SIZE	HOSE SIZE	HOSE ID
420-073	6	5/8"-18	6	5/16"
420-173	10	7/8"-14	10	1/2"



90° MALE FLARE

PART#	FITTING SIZE	THREAD SIZE	HOSE SIZE	HOSE ID
420-071	6	5/8"-18	6	5/16"
420-171	8	3/4"-16	8	13/32"
420-271	10	7/8"-14	10	1/2"



STR O RING

PART #	FITTING SIZE	THREAD SIZE	HOSE SIZE	HOSE ID
535-792	8	3/4"-16	8	13/32"
535-793	10	7/8"-14	10	1/2"



90° O RING

PART#	FITTING SIZE	THREAD SIZE	HOSE SIZE	HOSE ID
535-795	6	5/8"-18	6	5/16"
535-796	8	3/4"-16	8	13/32"
535-797	10	7/8"-14	10	1/2"



STR MIO BULKHEAD

PART #	FITTING SIZE	THREAD SIZE	HOSE SIZE	HOSE ID
535-B603	#6 MIO	5/8"-18	6 beadlock	5/16"
535-B703	#10 MIO	7/8"-14	10 beadlock	1/2"



90° MIO BULKHEAD

PART #	FITTING SIZE	THREAD SIZE	HOSE SIZE	HOSE ID
535-B623	#6 MIO	5/8"-18	6 Beadlock	5/16"
535-B723	#10 MIO	7/8"-14	10 Beadlock	1/2"

REDUCED DIAMETER FITTINGS



SPLICERS

PART#	FTG SIZE	HOSE SIZE	HOSE ID
STRAIGHT			
535-RB995	6	6	5/16"
535-RB997	10	10	1/2"
90° SPLICER			
535-RB071	6	6	5/16"



STRAIGHT FEMALE O RING

PART#	FTG SIZE	THREAD SIZE	HOSE SIZE	HOSE ID
535-RB301	6	5/8"-18	6	5/16"
535-RB302	8	3/4"-16	8	13/32"
535-RB303	10	7/8"-14	10	1/2"



90° FEMALE O RING

PART#	FTG SIZE	THREAD SIZE	HOSE SIZE	HOSE ID
535-RB321	6	5/8"-18	6	5/16"
535-RB323	10	7/8"-14	10	1/2"
535-RB327	12	1 1/16"-14	12	5/8"



45° FEMALE O RING

PART#	FTG SIZE	THREAD SIZE	HOSE SIZE	HOSE ID
535-RB311	6	5/8"-18	6	5/16"
535-RB313	10	7/8"-14	10	1/2"

STEEL BEADLOCK FITTING



STRAIGHT FEMALE O- RING

PART #	FITTING SIZE	THREAD SIZE	HOSE SIZE	HOSE ID
535-SB301	6	5/8"-18	6	5/16"
535-SB302	8	3/4"-16	8	13/32"
535-SB303	10	7/8"-14	10	1/2"
535-SB304	12	1 1/16"-14	12	5/8"
535-SB305	6	5/8"-18	8	13/32"
535-SB306	8	3/4"-16	10	1/2"
535-SB307	10	7/8"-14	12	5/8"
535-SB308	8	3/4"-16	6	5/16"



STRAIGHT FEMALE O-RING WITH R134a SERVICE PORT

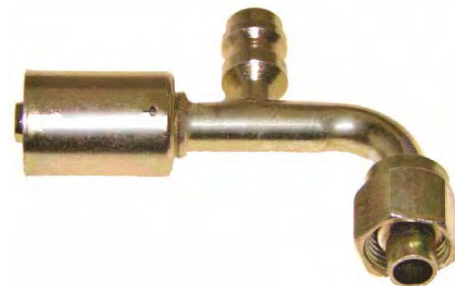
PART #	FITTING SIZE	THREAD SIZE	HOSE SIZE	HOSE ID
535-SB301-3	6	5/8"-18	6	5/16"
535-SB302-3	8	3/4"-16	8	13/32"
535-SB303-3	10	7/8"-14	10	1/2"
535-SB307-3	10	1 1/16"-14	12	5/8"



90° FEMALE O RING

PART #	FITTING SIZE	THREAD SIZE	HOSE SIZE	HOSE ID
535-SB321	6	5/8"-18	6	5/16"
535-SB322	8	3/4"-16	8	13/32"
535-SB323	10	7/8"-14	10	1/2"
535-SB324	12	1 1/16"-14	12	5/8"
535-SB325	6	5/8"-18	8	13/32"
535-SB326	8	3/4"-16	10	1/2"
535-SB327	10	7/8"-14	12	5/8"
535-SB328	8	3/4"-16	6	5/16"
535-SB322SD	8	3/4"-16	8	13/32"

(Short drop)



90° FEMALE O RING WITH R134a SERVICE PORT

PART #	FITTING SIZE	THREAD SIZE	HOSE SIZE	HOSE I.D.
535-SB321-3	6	5/8"-18	6	5/16"
535-SB322-3	8	3/4"-16	8	13/32"
535-SB323-3	10	7/8"-14	10	1/2"
535-SB327-3	10	7/8"-14	12	5/8"

STEEL BEADLOCK FITTING



45° FEMALE O-RING

PART #	FITTING SIZE	THREAD SIZE	HOSE SIZE	HOSE ID
535-SB311	6	5/8"-18	6	5/16"
535-SB312	8	3/4"-16	8	13/32"
535-SB313	10	7/8"-14	10	1/2"
535-SB317	10	7/8"-14	12	5/8"
535-SB315	6	5/8"-18	8	13/32"
535-SB313-3	10	7/8"-14	10	1/2"

(W/134 PORT)



STRAIGHT SPLICER WITH R134a SERVICE PORT

PART #	FITTING SIZE	THREAD SIZE	HOSE SIZE	HOSE ID
535-SB101-3	6	5/8"-18	6	5/16"
535-SB102-3	8	3/4"-16	8	13/32"
535-SB103-3	10	7/8"-14	10	1/2"
535-SB104-3	12	1 1/16"-14	12	5/8"



STRAIGHT MALE O RING

PART #	FITTING SIZE	THREAD SIZE	HOSE SIZE	HOSE ID
535-SB401	6	5/8"-18	6	5/16"
535-SB402	8	3/4"-16	8	13/32"
535-SB403	10	7/8"-14	10	1/2"
535-SB404	12	1 1/16"-14	12	5/8"
535-SB405	6	5/8"-14	8	13/32"



90° MALE O RING

PART #	FITTING SIZE	THREAD SIZE	HOSE SIZE	HOSE ID
535-SB421	6	5/8"-18	6	5/16"
535-SB422	8	3/4"-16	8	13/32"
535-SB423	10	7/8"-14	10	1/2"
535-SB424	12	1 1/16"-14	12	5/8"
535-SB425	6	5/8"-18	8	13/32"
535-SB427	10	7/8"-14	12	5/8"

45° MALE O RING

PART #	FITTING SIZE	THREAD SIZE	HOSE SIZE	HOSE ID
535-SB411	6	5/8"-18	6	5/16"
535-SB413	10	7/8"-14	10	1/2"


90° W/R-12 CHARGING VALVE

PART #	FITTING SIZE	HOSE SIZE	HOSE I.D. SIZE
421-7322	8	8	13/32"
421-7323	10	10	1/2"
421-7326	12	12	5/8"


STRAIGHT W/R-12 CHARGING VALVE

PART #	FITTING SIZE	HOSE SIZE	HOSE I.D. SIZE
421-7722	8	8	13/32"
421-7723	10	10	1/2"
421-7724	12	12	5/8"

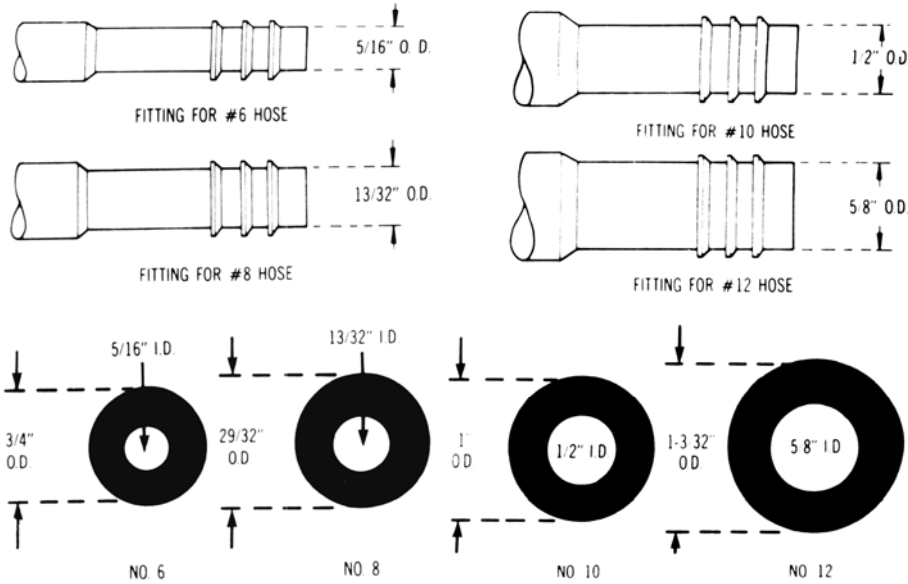

90° REVERSE HEADER W/R12 PORT

PART #	FITTING SIZE	HOSE SIZE	HOSE I.D. SIZE
421-7422	8	8	13/32"
421-7423	12	12	5/8"


FEMALE PRESSURE SWITCH FITTING

PART #	FITTING SIZE	THREAD SIZE	HOSE SIZE	HOSE ID
535-972	6	5/8"-18	6	5/16"

REFRIGERANT HOSE FOR R12 AND R134a



CONSTRUCTION

Tube:
Polychlorpene Barrier
Reinforcement:
Synthetic Yarn
Cover: EPDM
Other covers are available to match specific requirements for resistance to heat, Oil, moisture, and other criteria.

SIZES

Available in SAE J51 A1 and All dimensions
Other sizes are available to meet specific customer requirements.

FITTINGS

Easily coupled. Aluminum or steel industry standard fittings recommended with a "Bubble" style crimp

PACKAGE

Reels:
5/16" 825 ft
1/2" 700 ft
13/32" 725 ft
5/8" 525 ft
Bulk cartons:
Cut length or customer specification.

PART # DESCRIPTION

420-038	#6 (5/16") Barrier hose
420-138	#8 (13/32") Barrier hose
420-238	#10 (1/2") Barrier hose
420-338	#12 (5/8") Barrier hose

AEROQUIP REFRIGERANT HOSE



Synthetic
Rubber
Cover

Synthetic
Fiber
Braid

Synthetic
Backing
Layer

Polyamide
Veneer Bonded
to Backing
Layer for
Resistance to
Effusion

Features:

- Internal polyamide veneer
- Synthetic-rubber backing layer
- Stabilized, synthetic braided reinforcement
- Chlorobutyl rubber cover
- E-Z Clip fittings

Benefits:

- Excellent effusion resistance
- Maximum resistance to moisture ingress
- Extended service performance
- Superior flexibility
- Assured coupling integrity, exceeds SAE J2064 performance

PART#	DESCRIPTION	PACKAGING	
		REELS	
635-038	#6 Hose	5/16"	560 ft
635-138	#8 Hose	13/32"	575 ft
635-238	#10 Hose	1/2"	550 ft
635-338	#12 Hose	5/8"	367 ft

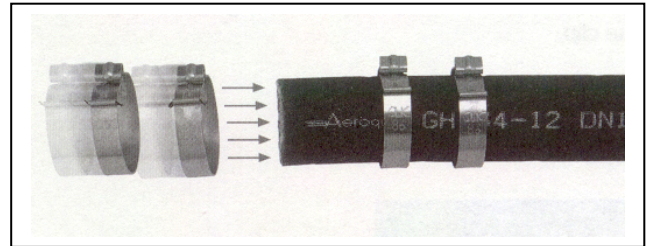
Also available in custom lengths

AEROQUIP E-Z CLIP ASSEMBLY INSTRUCTIONS

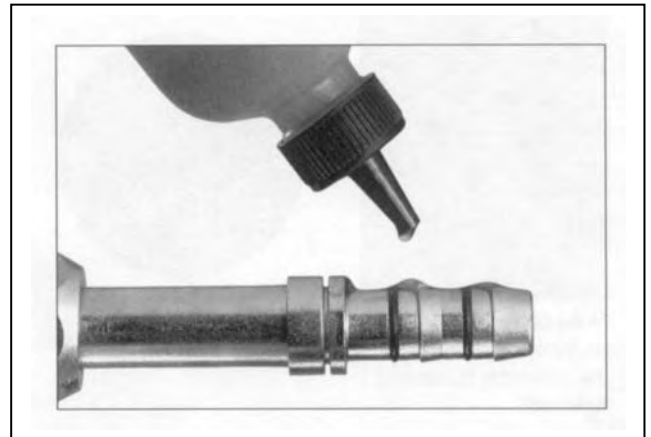
Step 1. Cut the hose to proper length with an appropriate cutting tool. Aeroquip's hand held hose cutter has been specially designed for cutting all non-wire reinforced hose, such as GH-134 Multi-Refrigerant hose. Be sure the cut is made square to the hose length.



Step 2. Install two proper-sized clips onto the cut end of the hose. Orientation of the clips does not affect the performance of the connection. However, for ease of assembly, both clips should have the same orientation. NOTE: Failure to slide the clips over the hose at this time will require the clips to be stretched over the hose or fitting later. This may permanently damage the clip.



Step 3. Lubricate the nipple with a generous amount of the refrigeration or A/C system's compressor lubricating oil. This MUST be done to lower the force of nipple insertion.



Step 4. Insert the nipple into the hose. To ensure that the nipple is fully inserted, check the gap between the cut end of the hose and the shoulder on the nipple. Care should be taken to avoid kinking or other damage to the hose during nipple insertion. NOTE: Be sure to wipe excess oil from the nipple and hose.

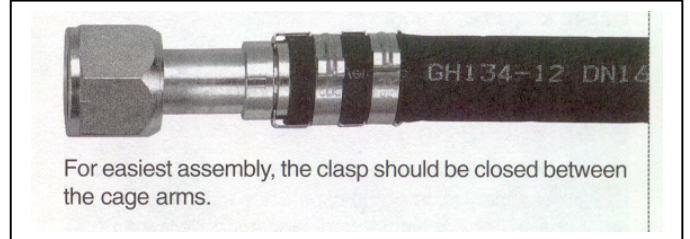
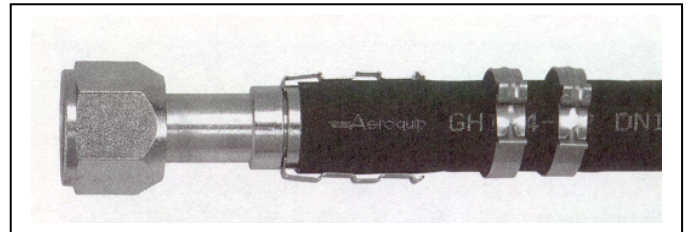


Step 5. Snap the cage into the groove on the nipple. The arms should extend over the hose length. When the cage has been correctly installed in the cage groove, the cage will be able to rotate in the groove. This step **MUST** be performed to ensure:

1. The clips will be located over the O-rings on the nipple.
2. The connection will be compatible with the connection's pressure rating.

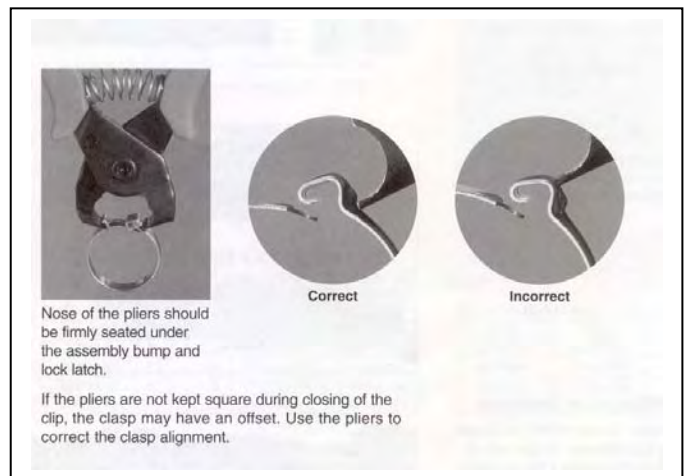
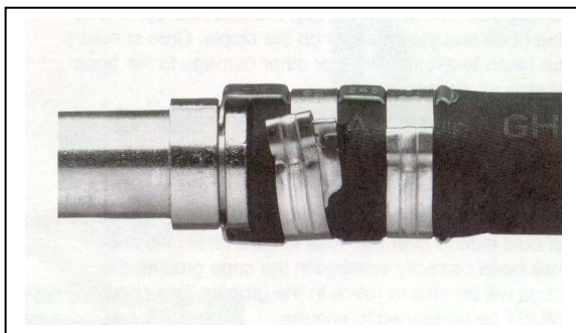


Step 6. Slide the clips over the cage arms and into the channels on each arm.



Step 7. Use the pliers to close the clips. The pliers should be positioned squarely on the clip connection points and should remain square during the closing of the clip.

NOTICE: E-Z Clip components should not be reused.



E-Z CLIP FITTINGS

	DESCRIPTION	FITTING SIZE	THREAD SIZE	HOSE SIZE	HOSE ID	PART #
	Straight Female "O"-ring	# 6	5/8"-18	# 6	5/16"	635-C301
		# 8	3/4"-16	# 8	13/32"	635-C302
		# 10	7/8"-14	# 10	1/2"	635-C303
		# 12	1 1/16"-14	# 12	5/8"	635-C304
		# 6	5/8"-18	# 8	13/32"	635-C305
		# 8	3/4"-16	# 10	1/2"	635-C306
		# 10	7/8"-14	# 12	5/8"	635-C307
		#12	1 1/16"-14	#10	1/2"	635-C308
	45° Elbow Female "O" ring	# 6	5/8"-18	# 6	5/16"	635-C311
		# 8	3/4"-16	# 8	13/32"	635-C312
		# 10	7/8"-14	# 10	1/2"	635-C313
		# 10	7/8"-14	# 12	5/8"	635-C317
	90° Elbow Female "O" ring	# 6	5/8"-18	# 6	5/16"	635-C321
		# 8	3/4"-16	# 8	13/32"	635-C322
		# 10	7/8"-14	# 10	1/2"	635-C323
		# 12	1 1/16"-14	# 12	5/8"	635-C324
		# 6	5/8"-18	# 8	13/32"	635-C325
		# 8	3/4"-16	# 10	1/2"	635-C326
# 10	7/8"-14	# 12	5/8"	635-C327		
	Str Female "O" ring with Low side charge port	# 10	7/8"-14	# 10	1/2"	635-C303-3
		# 10	7/8"-14	# 12	5/8"	635-C307-3
	Str Female "O" ring with High side charge port	# 6	5/8"-18	# 8	13/32"	635-C301-3
		# 8	3/4"-16	# 8	13/32"	635-C302-3







E-Z CLIP FITTINGS

	DESCRIPTION	FITTING SIZE	THREAD SIZE	HOSE SIZE	HOSE ID	PART #
	90° Female "O" ring with low side charge port	# 10 # 10	7/8"-14 7/8"-14	# 10 # 12	1/2" 5/8"	635-C323-3 635-C327-3
	90° Elbow Female "O" ring With High side charge port	# 6 # 8	5/8"-18 3/4"-16	# 6 # 8	5/16" 13/32"	635-C321-3 635-C322-3
	Straight Male "O" ring	# 6 # 8 # 10 # 12 # 6 # 10	5/8"-18 3/4"-16 7/8"-14 1 1/16"-14 5/8"-18 7/8"-14	# 6 # 8 # 10 # 12 # 8 # 12	5/16" 13/32" 1/2" 5/8" 13/32" 5/8"	635-C401 635-C402 635-C403 635-C404 635-C405 635-C407
	45° Male "O" ring	#6 #8 #10	5/8"-18 3/4"-16 7/8"-14	#6 #8 #10	5/16" 13/32" 1/2"	635-C411 635-C412 635-C413
	90° Male "O" ring	# 6 # 8 # 10 # 12 # 6 # 8 # 10	5/8"-18 3/4"-16 7/8"-14 1 1/16"-14 5/8"-18 3/4"-16 7/8"-14	# 6 # 8 # 10 # 12 # 8 # 10 # 12	5/16" 13/32" 1/2" 5/8" 13/32" 1/2" 5/8"	635-C421 635-C422 635-C423 635-C424 635-C425 635-C426 635-C427
	Straight Male Insert "O" ring	# 6 # 8 # 10	5/8"-18 3/4"-16 7/8"-14	# 6 # 8 # 10	5/16" 13/32" 1/2"	635-C408 635-C409 635-C410
	90° Male Insert "O" ring	# 8 #10	3/4"-16 7/8"-14	# 8 #10	13/32" 1/2"	635-C429 635-C430
	Male Bulkhead Straight	# 6 # 8 # 10	5/8"-18 3/4"-16 7/8"-14	# 6 # 8 # 10	5/16" 13/32" 1/2"	635-C501 635-C502 635-C503
	Male Bulkhead 90°	# 6 # 8 # 10	5/8"-18 3/4"-16 7/8"-14	# 6 # 8 # 10	5/16" 13/32" 1/2"	635-C521 635-C522 635-C523

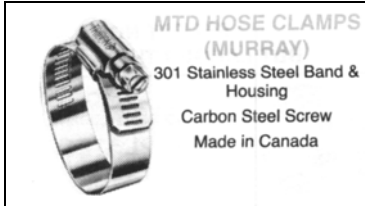
E-Z CLIP FITTINGS

	DESCRIPTION	HOSE SIZE	HOSE SIZE	HOSE ID	HOSE ID	PART #
	Splicer With low side Charge Port	# 10 # 12	#10 #12	1/2" 5/8"	1/2" 5/8"	635-C103-3 635-C107-3
	Splicer With high side Charge Port	# 6 # 8	#6 #8	5/16" 13/32"	5/16" 13/32"	635-C101-3 635-C102-3
	Splicer with R12 Access port	# 6 # 8 # 10	#6 #8 #10	5/16" 13/32" 1/2"	5/16 13/32" 1/2"	635-C101-1 635-C102-1 635-C103-1
	Straight splice	#6 #8 #10 # 12 #8	#6 #8 #10 #12 #10	5/16" 13/32" 1/2" 5/8" 13/32"	5/16" 13/32" 1/2" 5/8" 1/2"	635-C104 635-C105 635-C109 635-C107 635-C112
	90° splice	# 6 # 8 # 10 # 12	# 6 # 8 # 10 # 12	5/16" 13/32" 1/2" 5/8"	5/16" 13/32" 1/2" 5/8"	635-C115 635-C116 635-C117 635-C118
	"T" Splicer	#6-6-6 #6-8-8 #8-8-8 #10-10-10 #12-12-12			5/16" 5/16, 13/32" 13/32" 1/2" 5/8"	635-M06-06-06 635-C106 635-C108 635-C110 635-C111

CAGES, CLIPS AND TOOLS FOR ALL E-Z CLIP FITTINGS

	Cages/fitting To hose attachment	# 6 # 8 # 10 # 12	# 6 # 8 # 10 # 12	5/16" 13/32" 1/2" 5/8"	635-C391 635-C392 635-C393 635-C394
	Clips Hose/cage connection	# 6 # 8 # 10 # 12	# 6 # 8 # 10 # 12	5/16" 13/32" 1/2" 5/8"	635-C381 635-C382 635-C383 635-C384
	Pliers/Connecting Tool for E-Z Clip Fittings				635-C001
	Core Tool				635-C002
	O-rings for hose ends	# 6 # 8 # 10 # 12			635-06 635-08 635-10 635-12
	Charge port caps	High Low			635-101 635-102

CLAMPS



PART #	REF #	CLAMP SIZE MIN.	CLAMP SIZE MAX.
420-390	#4	7/32"	5/8"
420-388	#6	5/8"	7/8"
300-005	#8	1/2"	1"
300-007	#10	9/16"	1-1/16"
420-389	#12	5/8"	1-1/4"
420-394	#24	1-1/16"	2"
420-392	#32	1-9/16"	2-1/2"
420-393	#40	2-1/16"	3"
420-391	#48	2-9/16"	3-1/2"

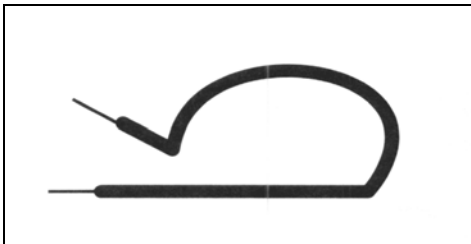
STAINLESS CLAMPS

420-390-S	#4	7/32"	5-8"
300-007-S	#10	9/16"	1 1/16"
420-391-S	#48	2-9/16"	3-1/2"
420-395 S	#60	3 5/16	4 1/2

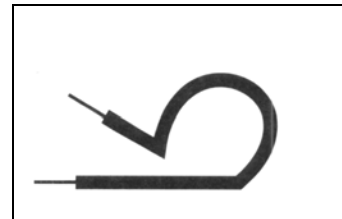


NYLON HOSE CLAMPS

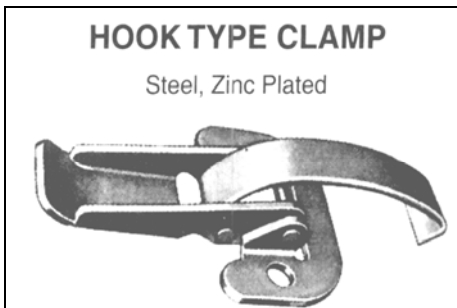
300-605	11/32"
300-606	13/32"
300-607	15/32"
300-608	19-32"
420-396	#16 CLAMP



PART #	DESCRIPTION
300-585	Double hose clamp

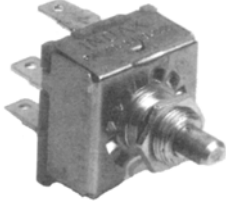


PART #	DESCRIPTION
320-601	#6 & #8 Clamps
320-701	#10 & #12 Clamps
300-586	3" Hose Clamps
320-724	1.5" Rubber covered



PART #	DESCRIPTION
300-650	Cover spring latch

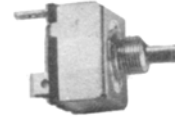
ROTARY SWITCHES



412-102 4 position



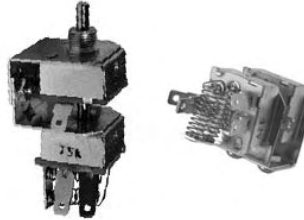
412-101 12V 4 pos w/resistor
412-103 24V 4 pos w/resistor



412-119 2 pos w/o resistor



412-105 12V 4 position
HD 3/4" shaft



412-743 Tandem Blower
switch w/Resistor



412-983A Potentiometer

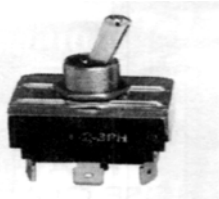
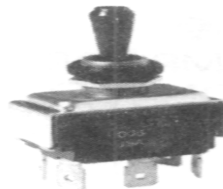


412-800 Micro switch

ROCKER SWITCHES
PUSH BUTTON

412-106 DPST

412-106-1 SPST

412-760 12V
412-760-24 24V
TOGGLE SWITCHES

412-122
412-124
412-125

412-123

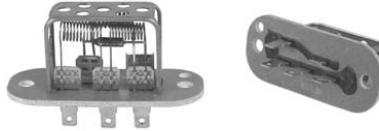
412-126

PART#	TYPE	FUNCTION	TERMINALS
412-038	SPDT	Black toggle ON -- OFF	3
412-122	SPST	Chrome toggle ON-OFF	2
412-123	SPDT	Black toggle ON OFF ON	3
412-124	DPDT	Chrome toggle ON OFF ON	6
412-125	DPDT	Chrome toggle ON ON ON	4
412-126	SPST	Uses 411-059 knob OFF ON ON ON	5

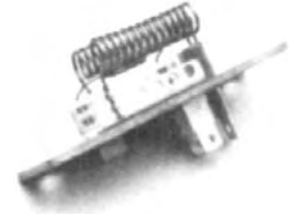
RESISTORS



412-172	12V
412-173	24V



412-167	3 Speed
----------------	---------



412-174	24V 3 Speed eagle
----------------	-------------------

RELAYS

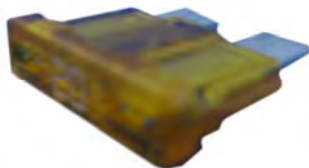


412-077	12V	70 Amp heavy duty
412-113	12V	70 Amp
412-114	12V	40 Amp
412-117	12V	30 Amp
412-118	24V	20 Amp



412-115	12V Relay Weather proof housing
412-116	24V Relay Weather proof housing

ATO FUSES



300-165	10 Amp fuse
300-166	15 Amp fuse
300-167	30 Amp fuse
300-168	20 Amp fuse
300-169	5 Amp fuse
300-170	7.5Amp fuse
300-171	25 Amp fuse
300-172	3 Amp fuse

MINI ATO FUSES

300-165M	10 Amp mini
300-166M	15 Amp mini
300-167M	30 Amp mini
300-168M	20 Amp mini
300-169M	5 Amp mini
300-171M	25 Amp mini

ATO FUSE HOLDER



300-164	w/o cover
300-163	w/cover

CIRCUIT BREAKERS



433-001 30 Amp
433-002 20 Amp



433-005 40 Amp



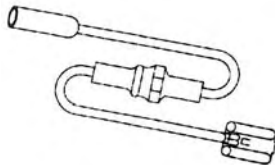
Manual Circuit Breakers

433-007 15 Amp
433-008 20 Amp
433-010 30 Amp



Manual Reset breaker

433-080 80 Amp
433-841 10 Amp
433-842 15 Amp
433-843 20 Amp



300-160 In-Line Diode

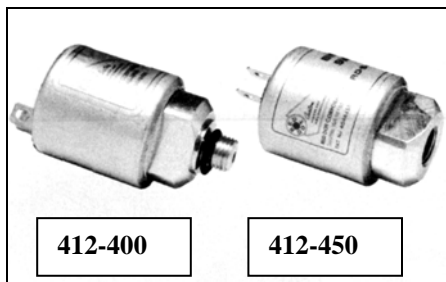


412-111 Thermal limiter

BINARY PRESSURE SWITCHES

THIS SWITCH ASSEMBLY PERFORMS TWO DISTINCT FUNCTIONS. THE FIRST FUNCTION PREVENTS THE COMPRESSOR FROM OPERATING IF SYSTEM CHARGE IS LOST OR AMBIENT TEMPERATURE IS TOO LOW. THE SECOND STOPS COMPRESSOR IF HEAD PRESSURE INCREASES TO UNSAFE LEVELS. IT AUTOMATICALLY RESETS WHEN PRESSURE DROPS BACK TO NORMAL.

INSTALL BINARY ON LIQUID SIDE OF A/C SYSTEM BETWEEN CONDENSER AND EXPANSION VALVE.



	OPENS	CLOSES
LOW PRESSURE PROTECTION	30-15 PSIG (FALLING PRESSURE)	40 PSIG MAXIMUM (RISING PRESSURE)
HIGH PRESSURE PROTECTION	270-330 PSIG (RISING PRESSURE)	80-120 PSIG BELOW (OPENING PRESSURE)

MOUNTING CONFIGURATION

412-400 3/8 UNF-2A MALE THREAD WITH BULKHEAD TYPE SEAL USING A2-012 O RING.

412-450 7/16-20 UNF-2B FEMALE THREAD FOR INSTALLATION ON MALE SCHRADER TYPE VALVE.

ELECTRICAL 7AMP RESISTIVE
 4AMP INDUCTIVE
 28 VOLT D.C. MAXIMUM
 2.50 SERIES MALE TAB TERMINALS



412-107

GM Clutch Cycling
Switch (adjustable)
R134a



412-108

GM Clutch Cycling
Switch (adjustable)
R12



412-109

Ford Clutch
Cycling Switch
(adjustable)
R12



412-110

Ford Clutch
Cycling Switch
R134a

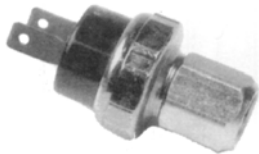
BINARY PRESSURE SWITCHES



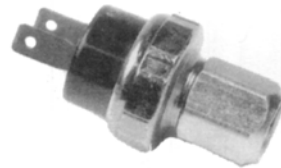
412-152 7/16"-20 Female- 27 PSI 170 PSI



412-153 3/8-24 Male 30PSI 385 PSI



412-154 7/16-20 Female 30PSI 354PSI



412-157 7/16-20 Female 30 PSI 455 PSI



412-179 M10 Female 30 PSI 330 PSI

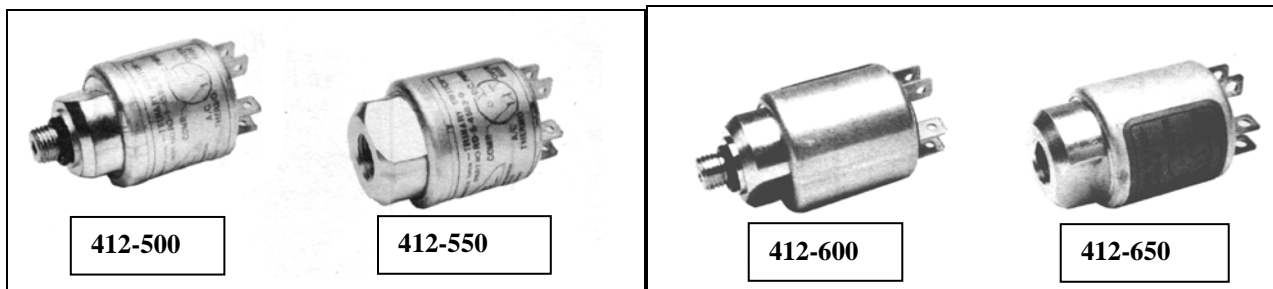


412-184 M10 Female 30 PSI 330 PSI

TRINARY PRESSURE SWITCHES - GENERATION II

THIS SWITCH ASSEMBLY PERFORMS THREE DISTINCT FUNCTIONS. THE FIRST FUNCTION PREVENTS THE COMPRESSOR FROM OPERATING IF SYSTEM CHARGE IS LOST OR AMBIENT TEMPERATURE IS TOO LOW. THE SECOND STOPS COMPRESSOR IF HEAD PRESSURE INCREASES TO UNSAFE LEVELS IT AUTOMATICALLY RESETS WHEN PRESSURE DROPS BACK TO NORMAL. THE THIRD FUNCTION IS A SHUTTER/FAN OVERRIDE SWITCH THAT KEEPS HEAD PRESSURE WITHIN NORMAL RANGE BY OPENING SHUTTERS OR OPERATING ENGINE FAN TO INCREASE AIR FLOW ACROSS CONDENSER WHEN HEAD PRESSURE RISES ABOVE SET VALVE.

INSTALL TRINARY ON LIQUID SIDE OF A/C SYSTEM BETWEEN CONDENSER AND EXPANSION VALVE.



	OPENS	CLOSES
LOW PRESSURE PROTECTION	22.5 +- 7.5 PSIG (DESCENDING PRESSURE)	40 PSIF MAXIMUM (RISSING PRESSURE)
HIGH PRESSURE PROTECTION	325+-25PSIG	230+-20PSIG
SHUTTER FAN/OVERRIDE	35 - 60 PSIG BELOW CLOSING PRESSURE	200 - 230 PSIG (RISING PRESSURE)

PART NO.	MOUNTING CONFIGURATION SEE NOTE	SHUTTER/FAN SWITCH	
		N/O	N/C
412-500	A	X	
412-550	B	X	
412-600	A		X
416-650	B		X

NOTE: A. 3/8-24 UNF-2A MALE THREAD WITH BULK HEAD
 TYPE SEAL USING A 2-012 O RING
 B. 7/16-20 UNF-2B FEMALE THREAD FOR INSTALLATION
 ON MALE SCHRADER TYPE VALVE.

ELECTRICAL 7 AMP RESISTIVE
 4 AMP INDUCTIVE
 28 VOLT D.C. MAXIMUM
 2.50 SERIES TAB TERMINALS

TRINARY PRESSURE SWITCHS



412-007 1/4" Female 29 PSI 261 PSI 406 PSI



412-155 1/4" Female 30PSI 225PSI 385PSI



412-156 3/8" Male 30 PSI 225PSI 385PSI



412-561 Sterling

PRESSURE SWITCHES



A



B



C



D



E

PART #	STYLE	TYPE	NORM.	NORM.	CLOSES AT PSI	OPENS AT PSI	FTG
			OPEN	CLOSED			
412-010	D	LOW	X		15	35	
415-045	D	LOW	X		14	35	
412-120	D	HIGH		X	210	340	
412-150	A	LOW		X	7	22	
412-151	E	LOW	X		30	31	3/8-24 Drier mtg
412-158	A	LOW			3	22	
412-159	A	HIGH		X	250	300	
412-163	C	HIGH		X	230	330	
412-164	A	LOW			3	22	
412-165	A	HIGH			250	350	
412-166	B	HIGH	X		150	215	
412-169	B	HIGH		X	150	215	
412-170	D	FAN O/R		X	225	275	
412-171	A	HIGH	X		260	210	M10 FOR
412-175	A	LOW	X		7	30	
412-176	A	HIGH		X	210	340	
412-177	B	LOW	X		46	25	
412-178	A	HIGH	X		250	190	
412-180	E	LOW	X			27	3/8-24 MOR
412-182	A	LOW	X		10	34	
412-183	D	HIGH	X		210	300	
412-185	D	HIGH		X	250	300	M10
412-186	B	LOW		X	5	35	
412-187	B	HIGH		X	205	375	M10
412-230	D	HIGH	X		250	375	
412-616	D	LOW		X	6	15	



412-149

Super Heat Switch

Low pressure cut out used in connection with thermal limiter on A-6 and R-4 compressors. Installs in rear head of compressor in case of low refrigerant pressure, the thermal limiter melts shutting off compressor.

THERMOSTATS

PRESET



PART #	CAP LENGTH	COLD OFF	COLD ON	CLUTCH CYCLE RANGE
413-201	16"	28°	35°	7°
413-204	24"	30°	39°	N/A
413-211	25"	34°	44°	8°

ROTARY



PART #	CAP LENGTH	COLD OFF	COLD ON	CLUTCH CYCLE RANGE
413-203	18"	26°	33°	6°
413-205	48"	26°	33°	5°
413-207	72"	26°	33°	N/A
413-208	36"	26°	33°	5°
413-209	27"	34°	52°	5°

CABLE CONTROLLED



PART #	CAPILLARY LENGTH	COLD OFF	COLD ON	CLUTCH CYCLE RANGE
413-019	30"	34°	54°	N/A
413-077	18"	28°	66°	N/A
413-200	18"	26°	66°	8°
413-202	43"	30°	62°	10°

AIR



111-051
 Adjustable setting. Cold off @ 50° On @ 55°
 Rotary control

MANUAL TEMPERATURE CONTROL WITH ELECTRONIC PROPORTIONAL HEATER VALVE



413-229 Complete Assembly

Function:

The electronic KY valve and fan switch provides sophisticated manual regulation of OEM and Aftermarket vehicle heating and cooling systems. Clearly marked, easy grasp controls allow manual selection of fan speed, air conditioner on/off, and heat. A rotary knob is used to precisely set the heater valve opening. It utilizes a proprietary electronic proportional hot water valve for precise heat control.

Universality:

Easy to install, and may be used in any 12 liquid cooled vehicle.

Vehicle Applications include:

- Agricultural Equipment, ie: combines, tractors
- Ambulances, rear
- Antique and Vintage Automobiles
- Buses, Transport, Transit (Airport), School
- Heavy Duty Stationary equipment, ie. Cranes
- Limousines, rear
- Miscellaneous off-road equipment, ie: construction and logging
- RV's (recreational vehicles)
- Sport Utility Vehicles, rear
- Vans
- Other special or custom applications

System components:

- A flush mountable, control panel
- A 4-speed rotary fan control
- A fully proportional electronic heater control
- An electronic proportional heater valve

MANUAL TEMPURATURE CONTROLS



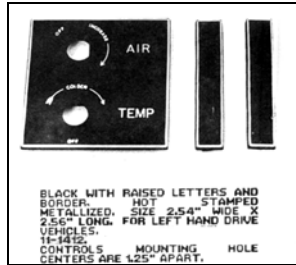
413-229A Control Assembly 24V

413-229A-12 Control Assembly 12V



413-229B Fan/heat control assembly

CONTROL DECALS



411-074



411-423



411-972



411-973



Red

413-228-3



Blue

Red

413-228-5



Blue

413-228-6



413-228-7



Red

413-228-8



440-010



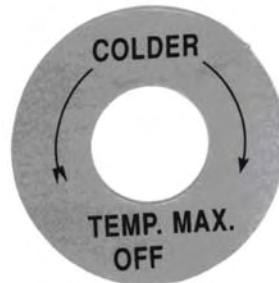
440-011



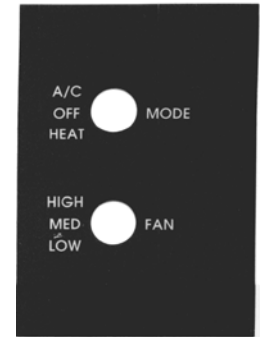
440-012



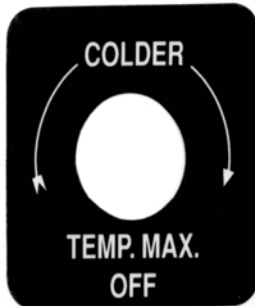
440-013



440-016



440-017



440-018



440-019



413-228-10

CONTROL KNOBS



411-020



411-021



411-055



411-056



411-057



411-058



411-059



411-062
Heater pull knob



411-063



411-064



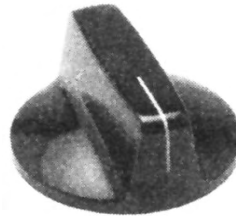
411-079



411-161



411-162



413-228-1



HEX. 7/16" UNEF THREADS. FOR
RETAINING SWITCHES AND
THERMOSTATS IN CONTROL PANEL.

412-299



414-388 Expansion bulb clamp



414-321 Orifice Tube- White

G-M EXPANSION TUBE KIT FOR GENERAL MOTORS CCOT SYSTEMS

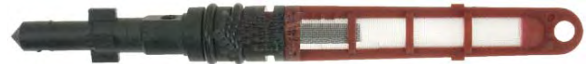


PART #	FITTING SIZE	THREAD SIZE
420-490	8	3/4"-16

HIGH PERFORMANCE VARIABLE ORIFICE TUBE



414-310
Special VOV orifice tube
(evaporator)
Refrigerant: R134a



414-311
Special VOV Orifice tube
(condenser)
Refrigerant: R134a

BLOCK EXPANSION VALVES


404-238

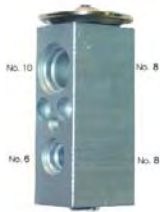
INLET	#6
OUTLET	#10
SUCTION INLET	#8
SUCTION OUTLET	#10
TONS	2.0


514-026

INLET	1/2" Flange
OUTLET	5/8" Flange
SUCTION INLET	5/8" Flange
SUCTION OUTLET	3/4" Flange
SUPERHEAT	8°
TONNAGE	1.5


514-310

INLET	#6
OUTLET	#10
SUCTION INLET	#10
SUCTION OUTLET	#12
SUPERHEAT	8°
TONNAGE	1.5


514-390

INLET:	#6
OUTLET:	#8
SUCTION INLET:	#8
SUCTION OUTLET	#10
TONNAGE:	2


514-391

INLET:	3/8" Tube "O"
OUTLET:	1/2" Tube "O"
SUCTION INLET:	5/8" Tube "O"
SUCTION OUTLET:	3/4" Tube "O"
SUPERHEAT:	6.3°
TONNAGE:	2.0


514-399

INLET	#6
OUTLET	#10
SUCTION INLET	#8
SUCTION OUTLET	#8
TONNAGE	2.0


514-402

INLET:	3/8"
OUTLET:	1/2"
SUCTION INLET:	5/8"
SUCTION OUTLET:	5/8"
SUPERHEAT:	6.3°
TONS:	2.0


514-403

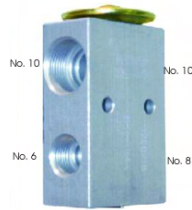
INLET:	3/8" FLANGE
OUTLET:	1/2" Flange
SUCTION INLET:	3/4" Flange
SUCTION OUTLET:	3/4" Flange
SUPERHEAT:	12°
TONS:	1.5


514-404

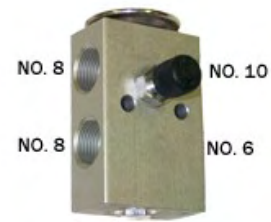
INLET:	3/8" Tube "O"
OUTLET:	1/2" Tube "O"
SUCTION INLET:	5/8" Tube "O"
SUCTION OUTLET:	3/4" Tube "O"
SUPERHEAT:	6.3° DEG
TONS:	1.7


514-407

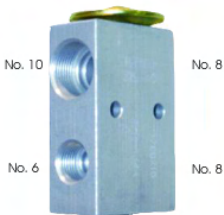
INLET:	#6
OUTLET:	#8
SUCTION INLET:	#8
SUCTION OUTLET:	#10
SUPERHEAT:	8°
TONS:	2.0
50 PSIG	


514-408

INLET:	#6
OUTLET:	#8
SUCTION INLET:	#10
SUCTION OUTLET:	#10
SUPERHEAT:	5°
TONS:	2.0
50 PSIG W/ Mounting holes	


514-409

INLET:	#6 F O Ring
OUTLET	#10 F O Ring
SUCTION INLET	#8 F O Ring
SUCTION OUTLET	#8 F O Ring
TONNAGE	1.5 Ton


514-412

INLET	#6 F O Ring
OUTLET	#10 F O Ring
SUCTION INLET	#8 F O Ring
SUCTION OUTLET	#8 F O Ring
TONNAGE	1.5 TON


514-423

INLET	#6 Flange
OUTLET	#8 Flange
SUCTION INLET	#10 Flange
SUCTION OUTLET	#12 Flange
TONNAGE	2.0


514-670

INLET	#6 Flange
OUTLET	#8 Flange
SUCTION INLET	#8 Flange
SUCTION OUTLET	#10 Flange
TONNAGE	1.5


514-674

INLET	8 MM
OUTLET	11 MM
SUCTION INLET	14MM
SUCTION OUTLET	14MM
TONNAGE	1.0


514-715

INLET	3/8" O Ring
OUTLET	3/4" O- Ring
SUCTION INLET	3/4" O Ring
SUCTION OUTLET	3/4" O Ring
TONNAGE	1.5

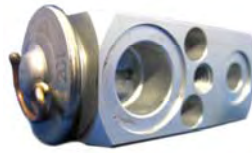

514-903

INLET	3/8" O Ring
OUTLET	1/2" O Ring
SUCTION INLET	5/8" O Ring
SUCTION OUTLET	3/4" O Ring
TONNAGE	2



514-921

INLET	3/8" O Ring
OUTLET	1/2" O Ring
SUCTION INLET	5/8" O Ring
SUCTION OUTLET	3/4" O Ring
TONNAGE	2.0



514-965

INLET	3/8"
OUTLET	1/2"
SUCTION INLET	5/8"
SUCTION OUTLET	3/4"
TONNAGE	

EXPANSION VALVE INTERNALLY EQUALIZED


514-002

INLET: M16
 OUTLET: M20
 CAP LENGTH: 16.5
 TONNAGE:

NO PICTURE AVAILABLE

514-262

INLET: #6 MIO
 OUTLET: #8 MIO
 SUPERHEAT: 8°
 CAP LENGTH: 20.5
 TONNAGE: 1.5


514-400

INLET: 3/8" MOR
 OUTLET: 1/2" MOR
 CAP LENGTH: 14"
 SUPERHEAT 7°
 TONNAGE: 1.0


514-401

INLET: 14MM MIO
 OUTLET: 1/2" MIO
 CAP LENGTH: 12"
 SUPERHEAT: 8°
 TONNAGE: 1.5


514-410

INLET: 3/8" MOR
 OUTLET: 1/2" MOR
 CAP LENGTH: 14"
 SUPERHEAT 7°
 TONNAGE: 1.5


514-414

INLET: 3/8" M Flare
 OUTLET: 1/2" M Flare
 SUPERHEAT 7.5°
 CAP LENGTH: 12"
 TONNAGE: 1.5

EXPANSION VALVES EXTERNALLY EQUALIZED



413-021

INLET: #6 Male flare
 OUTLET: #8 Male flare
 EQUALIZER LENGTH: 18"
 EQUALIZER FITTING: 1/4" F flare
 SUPERHEAT
 CAP. LENGTH: 28"
 TONNAGE: 1.5 TON



514-405

INLET: #6
 OUTLET: #8
 EQUALIZER LENGTH: 31"
 EQUALIZER FITTING: 1/4" MOR
 SUPERHEAT: 8°
 CAP LENGTH: 33"
 TONNAGE: 1.5



514-406

INLET: #6 MOR
 OUTLET: #8 MOR
 EQUALIZER LENGTH: 33"
 EQUALIZER FITTING: 1/4" FOR
 SUPERHEAT: 8°
 CAP LENGTH: 33"
 TONNAGE: 2.0



514-4110

INLET: #6 MOR
 OUTLET: #8 MOR
 EQUALIZER LENGTH: 13"
 EQUALIZER FITTING: 1/4"
 MOR
 SUPERHEAT: 8°
 CAP LENGTH: 12"
 TONNAGE: 1.5



514-413

INLET: 3/8" M Flare
 OUTLET: 1/2" M Flare
 EQUALIZER LENGTH: 18"
 EQUALIZER FITTING: 1/4" Flare
 SUPERHEAT: 7°
 CAP LENGTH: 18"
 TONNAGE:



514-928

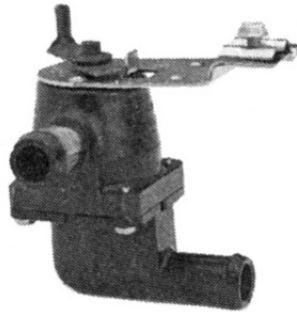
INLET: 3/8" MOR
 OUTLET: 1/2" MOR
 EQUALIZER LENGTH: 16"
 EQUALIZER FITTING: 1/4" FOR
 SUPERHEAT: 7°
 CAP LENGTH: 12"
 TONNAGE: 1.5

HEATER CONTROL VALVES



5/8" Push to Open

414-250



5/8" Pull On

414-312



5/8" Pull On

414-314



5/8" Pull On

414-315



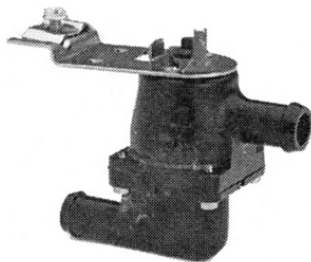
5/8" Air Operated Valve.

414-320



5/8" Pull-Off Push-On

414-370



5/8" Pull-On Push-Off

414-371



5/8" Pull On

414-382



Manual Inline shut off

414-383-5/8" x 5/8" hose DIA
414-384 1/2" x 1/2" hose DIA
414-385 3/4" x 3/4" hose DIA



414-387 Pull for heat
414-387C Pull to close.



BRASS BALL VALVE
414-411 3/8"
414-412 1/2 "



STAINLESS STEEL BALL VALVE
414-413 1/2"
414-414 3/4"

HEATER CONTROL CABLES



414-380 76" Push/pull cable with knob



414-390 Heater control assembly with 40" cable

NO IMAGE AVAILABLE



414-392 Bowden cable wire- sold per inch

414-393 Vinyl cable covering. Sold per inch



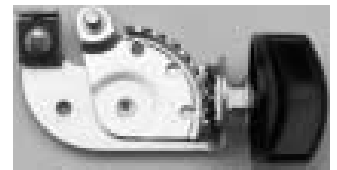
414-394 Heater control cable 41.5"



414-395 Cable control assy w/28.75" cable



414-396 Heater control cable 46"



414-398 Cable control

HEATER ACCESSORIES



419-131B 1/2" Brass
TEE F x F x M



420-457 5/8" Elbow



440-166 #8 "O" Ring to 5/8
hose 90° elbow



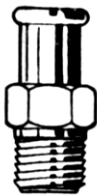
420-455 5/8" x 3/4" Y splicer
420-805 3/8" Y splicer



420-456 5/8" x 3/4" TEE



514-306 Three #6 F inlets
514-301 Three #10 F inlets



419-110
5/8" hose x 3/8"
NPT pipe fitting



419-826B 1/2" MPT STR to 5/8"
barb
419-380-120 3/8" MPT x 1/2" barb
(plastic)
419-380-120B 3/8" MPT x 1/2" barb
(brass)



419-232 1" MPT x 1" HB
Poly
419-258B 1/2" MPT X 5/8" HB –
(brass)
419-812-1 1 1/8 MPT x 3/8 HB
Poly



419-811
1" x 1/8" NPT
Male Pipe Thread



419-813-2 3/8" 90° Elbow
419-813-3 1/2" 90° Elbow
419-827 1/2" X 3/8" Elbow



419-812 1/8" 90o elbow M Pipe Thread
419-813 1/2" 90° elbow M Pipe Thread
419-813-1 3/8" 90° elbow M Pipe Thread



HEATER HOSE SPLICE

420-459 5/8" ID
420-460 3/4" ID



419-112
3/4" Hose x 5/8"
hose converter
fitting



420-519 5/8" Elbow long
419-473 1/2" Elbow
419-474 5/8" Elbow



Heater Hose

420-520 5/8" I.D.
420-521 1" I.D.
420-523 1/2" I.D.
420-525 3/4" I..D.

**Oil Resistant
Hose**

300-611 1/2" ID
300-612 3/4" ID
300-613 1" ID



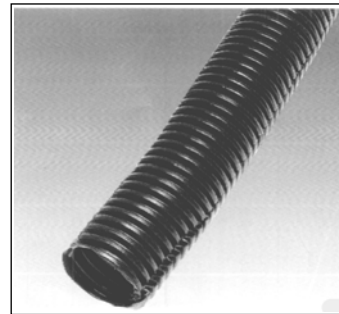
AC INSULATING TAPE
(tar tape)
418-710 Per inch
418-710R Per 30ft roll



FOAM INSULATING TAPE
1/8" X 2" X 30'
418-711



DRAIN HOSE
419-806 3/8" ID
419-808 1/2" ID
Black plastic, bulk rolls or cut to length



419-802-1
Drain Hose 1/2" ID



FLEX DUCT
419-819 1 1/2" Diameter
419-820 2" Diameter
419-825 2 1/2" Diameter
419-830 3" Diameter
419-840 4" Diameter



OMNI WRAP
300-682 1/2" Protective hose wrap



HEATER HOSE SPLICE

419-475 3/4"
419-476 1/2"



ABS PLASTIC DRAIN TEE

419-803 3/8" OD
419-804 1/2 OD



ABS PLASTIC DRAIN ELBOW

419-809 3/8" OD
419-810 1/2" OD



419-801

PLASTIC DRAIN TUBE
3/8" O.D. X 7/8" PIPE FOR 3/8" I.D.
DRAIN HOSE, BASE SEATING
FLANGE FOR CEMENTING IN HOLE



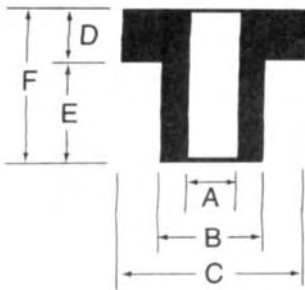
419-807

DRAIN TUBE AIR
RESTRICTOR



419-856

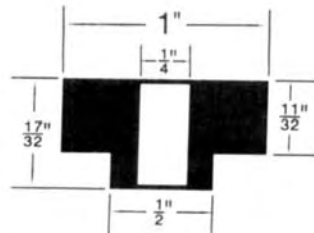
UNIVERSAL GROMMET
Fits 6,8 and 10 hose



419-854

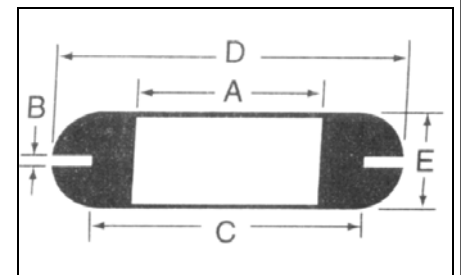
BUSHING

A - 5/16" E - 3/8"
B - 5/8" F - 5/8"
C - 1"



419-853

BUSHING



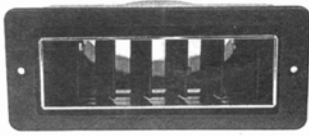
419-855

A - 5/16" I.D.
B - 1/16" grv dia.
C - 21/32" O.D.
D - 21/32" O.D.
E - 1/4" Thick

419-865

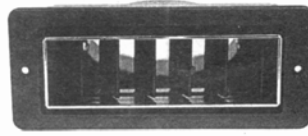
A - 11/16" I.D.
B - 1/16" grv dia.
C - 1" O.D.
D - 1-5/16" O.D.
E - 3/8" Thick

LOUVERS



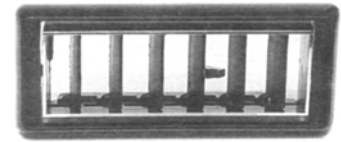
BLACK BEZEL, HOT STAMPED METALLIZED TRIM ON LEADING EDGES OF LOUVER FRAME, SNAP-IN DESIGN, 2.5" HOSE ADAPTER, FITS OPENING 2.0" X 4.75".

411-844



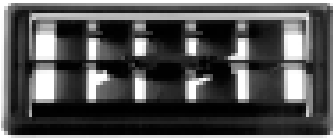
Black bezel, hot stamped metallized trim on leading edges of louver frame, snap-in design

411-844H



BLACK BEZEL, HOT STAMPED METALLIZED TRIM AROUND LOUVER, AIR CONTROL TAB ON VERTICAL VANE, FITS OPENING 1-25/32" X 5.07".

411-875



411-876
Louver fits 1-3/4" x 5-1/2" hole. Snap mount



411-882
O.D. 5 3/4" x 2 1/2"
Mounting hole 4 3/4" x 2"



411-845
Louver fits 2.05" X 5.18" hole



411-846
Louver w/hose adapter.
Fits 2.05" X 5.18" hole



411-110
Louver 5.13" x 2.82"

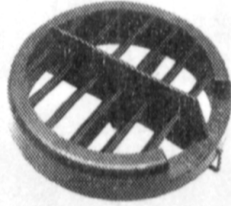
AIR DIFFUSERS AND LOUVERS



BLACK. FITS INTO 4.750" DIA. HOLE. SNAP-IN INSTALLATION. CENTER SECTION HAS ADJUSTABLE VANES FOR ADDITIONAL AIR CONTROL.

411-851

4.75" Snap in



411-877

3-1/2" Diffuser



411-878

3 1/2" Diffuser w/base



411-842 2" Diffuser
411-867 3" Diffuser
411-868 4" Diffuser



METALLIZED, SINGLE VANE WITH POSITIVE SHUT-OFF. FRONT AND BACK RETAINER RINGS THREAD TOGETHER IN A 2-1/2" DIAMETER HOLE.

411-860M metallic
411-860B black

2 1/2" mounting hole.



411-879

4 1/2" Diffuser (flush)



BLACK. 2.5" HOSE ADAPTER. 2.75" FITS 3.0" HOLE

411-865



BLACK. FITS INTO 1-23/32" DIA. HOLE. SNAP-IN INSTALLATION.

411-853



BLACK. FITS INTO 3.0" DIA. HOLE. RETAINER SPRING. TWO TABS FOR EASY ROTATING WITH MOUNTING SCREW.

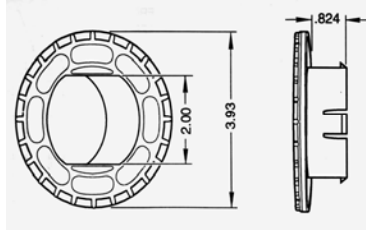
411-911

LOUVERS

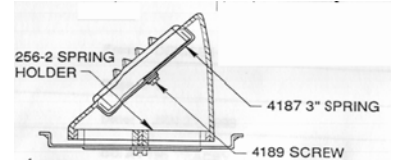


BLACK. FITS INTO 3.0" DIA. HOLE. RETAINER SPRING. TWO TABS FOR EASY ROTATING WITH MOUNTING SCREW.

411-912



411-866



411-917

ADAPTER RINGS FOR FLEXIBLE DUCT HOSE



2.0" O.D. ROUND

SLIP-ON BARBS FOR HOLDING HOSES ON FOUR CORNER FLANGES ON BASE FOR MOUNTING. INJECTION MOLDED ABS PLASTIC.

419-815



2.5" O.D. ROUND

SLIP-ON BARBS FOR HOLDING HOSES ON FOUR CORNER FLANGES ON BASE FOR MOUNTING. INJECTION MOLDED ABS PLASTIC.

419-816



3.0" O.D. ROUND

SLIP-ON BARBS FOR HOLDING HOSES ON FOUR CORNER FLANGES ON BASE FOR MOUNTING. INJECTION MOLDED ABS PLASTIC.

419-817



2.5" O.D. OVAL

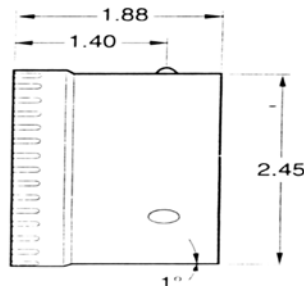
SLIP-ON BARBS FOR HOLDING HOSES ON FOUR CORNER FLANGES ON BASE FOR MOUNTING. INJECTION MOLDED ABS PLASTIC.

411-1844C

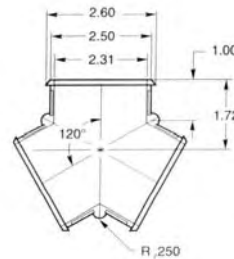


HOSE ADAPTER. REDUCES 3.0" OPENING TO 2.5".

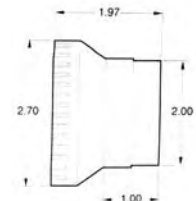
419-829



419-814



419-822
2 1/2" Three way
Connector



411-862 2 1/2"
Hose Connector

BLOWER HOUSINGS



417-660
 Compact 2 piece blower housing with motor mounts.
 4.5" high x 14" long

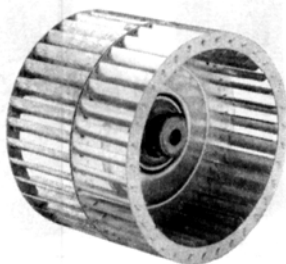


417-717
 Single Scroll Blower Housing

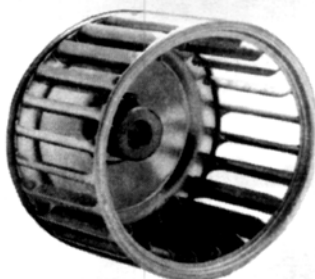
BLOWER WHEELS



Part #	Matl	Diameter	Width	Shaft	Rotation
416-510	Plastic	4.72	3.19	5/16	CW/CCW
416-511	Plastic	3 3/16	3 3/4	5/16	CW/CCW
416-834	Plastic	3 3/4	4 1/8	5/16	CW/CCW



Part #	Matl	Diameter (inches)	Width (inches)	Shaft (in.)	Rotation
416-170	Steel	4	4 1/2	5/16	CW
416-171	Steel	4	4 1/2	5/16	CCW
416-057	Plastic	4 3/4	3 1/4	3/8	CW/CCW
416-491	Alumin	5 1/4	3 3/4	5/16	CW/CCW
416-492	Steel	5	3 7/8	5/16	CW
416-494	Plastic	3 3/16	3 3/16	5/16	CWorCCW
416-495	Plastic	4 7/16	3 5/16	5/16	CWorCCW
416-497	Plastic	5 19/32	3 7/8	3/8	CW



Part #	Matl	Diameter (inches)	Width (inches)	Shaft (in.)	Rotation
416-039	Plastic	4 3/4	3 1/4	5/16	CCW
416-270	Steel	5 3/4	3 1/4	5/16	CW
416-487	Alum	5 1/4	3 7/16	5/16	CW
416-489	Alum	3 13/16	2 1/2	5/16	CW
416-490	Plastic	5 3/4	2 1/2	5/16	CCW
416-496	Alum	4 3/4		5/16	CW
416-498	Alum	5 1/4	3 1/2	5/16	CCW

DOUBLE SCROLL BLOWER ASSEMBLIES



401-850 12 VOLT BLACK PLASTIC
Compact two piece blower housing with blower wheels 3-3/16" dia X 3-3/4" long.
Blower housing size 4.5" high X 14" long.
12 Volt motor 3 speed

401-851 24 VOLT BLACK PLASTIC
Compact two piece blower housing with blower wheels 3-3/16" dia. X 3-3/4" long.
Blower housing size 4.5" high X 14" long
24 volt motor 3 speed

401-853 12 VOLT BLACK PLASTIC
Compact two piece blower housing with blower wheels 3.5" dia. X 4" long.
Blower housing size 7.5" high X 15.75" long.
12 volt motor 3 speed



401-830 24 VOLT BLACK PLASTIC

Blower housing 5.3" wide X 13.69"
Single speed



401-118 12V Blower assy, single speed
7"H X 7.5"W X 18.25"

401-118-24 24V Blower assy single speed
7"H X 7.5"W X 18.25"

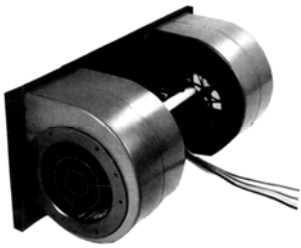


401-463 12V Blower assy 450H
4.54" Height X 5.12" Width X 12.4" Length

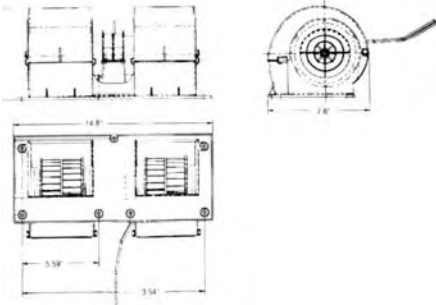
401-464 24V Blower assy
4.54" H X 5.12" W X 12.4" L



401-835 12V Blower assy.
Single speed
13.8" L X 5.5" H X 6.5" W



401-855 12V Blower assy.
3 Speed
13.8" L x 5.35" H



401-858-12 12 V Black Plastic
401-858 24 V Black Plastic

Compact one piece blower housing.
Housing size 6.85" H X 14.8" L
Single speed



401-859 12 VOLT BLACK PLASTIC
401-859-24 24 VOLT BLACK PLASTIC

Compact one piece blower housing
Housing size 5.5" H X 13.8" L.
Single speed



401-981 12V BLOWER MOTOR ASSY.
5.5" H X 13.75" L

SINGLE SCROLL BLOWER ASSEMBLIES



401-856 12 VOLT BLACK PLASTIC
401-856-24 24 VOLT BLACK PLASTIC

Compact one piece blower housing,
Housing size 6.75" H X 5.25" L
Single speed



401-854 12V BLOWER ASSY
401-854-24 24V BLOWER ASSY

Housing size 4.43" H X 4.64" W



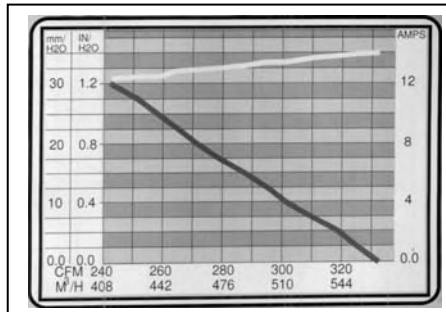
401-860 24V BLOWER ASSY

Housing size 5.7" H x 5.4"W x 6.5" D



401-857 LOW PROFILE BLOWER MOTOR

Totally enclosed 4-pole PM motor offers
longer life expectancy
Ideal for primary blower or pressurizer application





415-007 Blower assembly Freightliner 91-01 FL series
Front AC
12V Clockwise rotation



415-355 Blower assemble Freightliner 94-02 Century Class
12V Counter clockwise rotation



415-970 Blower assembly Freightliner 99-06 FLD Sleeper
unit
12V Counter clockwise rotation

ALL PURPOSE FANS

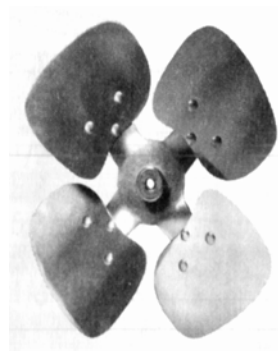


Metal Fan Guard		
430-908	12V	CHROME
430-907	24V	CHROME
430-923	12V	BLACK

Black Plastic fan guard	
430-952	12V
430-954	24V

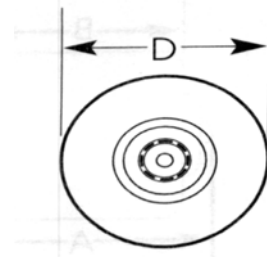
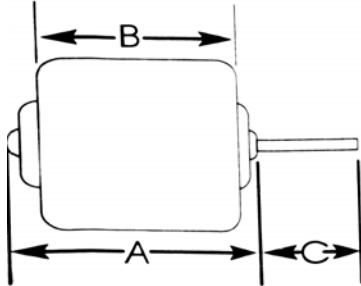
Metal Fan Guard	
430-962	12V
430-964	24V

FAN BLADES



Part	Dia. (in.)	No. of Blades	Pitch		Hub	Blade Const.
			Width	Rotation (1)		
416-549	5.5	5	27°	CW	5/16"	Alum
416-553	7	5	27°	CW	5/16"	Alum
727CCW-516	7	5	27°	CCW	5/16"	Alum
416-551	6	5	21°	CCW	None	
416-556	10	4		CW	5/16"	Steel
416-560	6	4		CW	1/4"	Plastic
416-561	7	5	1-1/2	CW	5/16"	Stamped
416-562	10	4	2-1/8	CW	5/16"	Riveted
416-563	9	4	2-9/16	CW	5/16"	Riveted
416-564	8	5	2	CW	5/16"	Alum
416-565	8	5			5/16"	Plastic
416-566	5 1/2	4		CCW	1/4"	Alum

SINGLE SHAFT FAN MOTORS



- NOTE:**
1. ROTATION IS DETERMINED BY VIEWING MOTOR FROM THE SHAFT END
 2. ON PERMANENT MAGNET MOTORS THE RED OR ORANGE LEAD IS POSITIVE
 3. MOTOR TYPE FW FIELD WOUND, PM PERMANENT MAGNET.

SINGLE SHAFT						HOUSING			SHAFT		NON VENT
PART #	SPEED	VOLT	ROTAT	TYPE	MOUNT	D	A	B	DIA	C	VENT
415-064-7	1	12	CW	FW	STUD	3	4 1/4	3 3/4	5/16	1 5/8	V
415-102-7	1	12	CCW	FW	STUD	3	3 5/8	2 3/4	5/16	13/16	NV
415-104-7	1	24	CCW	FW	STUD	3	3 5/8	2 3/4	5/16	13/16	NV
415-166-8	1	12	CCW	PM	STRAP	3		3 3/8	5/16	3/4	NV
415-204-8	1	24	CCW		STUD	3	3 7/8	3	5/16	13/16	NV
415-281-8	2	12	CCW		STUD	3	3 11/32	2 17/32	1/4	1 1/8	NV
415-284-8	2	24	CCW	FW	STUD	3		2 3/4	1/4	7/8	NV
415-356	1	24	CW		STUD	3	3 3/4	2 7/8	1/4	1 1/2	NV
415-422-7	1	12	CW	PM	STRAP	3	4 3/4	4	5/16	1 5/8	V
415-430-7	1	12	REV		STUD	3	4 1/8	3 1/2	5/16	1 3/8	V
415-452-7	1	12	CW	PM	PLATE	3 1/8	4 1/4	3 1/2	5/16	1 1/4	V
415-474-7	1	24	CW	PM	STUD	3	4 3/4	4	5/16	1 1/2	V
415-502-7	1	12	CW	PM	STUD	3	4 7/8	4	5/16	1	NV
415-502-8	1	12	CCW	PM	STUD	3	4 3/4	4	5/16	1 9/16	V
415-504-7	1	24	CCW	PM	STUD	3	4 3/4	3 7/8	5/16	1 5/8	V
415-505	3	12	REV		STUD	3	4 3/8	4	5/16	1 1/8	V
415-512-7	1	12	CW	PM	STRAP	3	4 7/8	4	5/16	1 1/8	NV
415-514-7	1	24	CW	PM	STRAP	3	4 7/8	4	5/16	1 1/8	NV
415-522-8	1	12	CW	PM	STRAP	3	4 7/8	4 1/8	5/16	1 1/8	NV
415-542-7	1	12	CW	PM	STRAP	3	4 7/8	4	5/16	1 1/8	NV
415-544-7	1	24	CW	PM	STRAP	3	4 7/8	4	5/16	1 1/8	NV
415-552-7	2	12	CW	PM	STUD	3	5	4 1/8	5/16	1 1/2	V
415-562-8	1	12	CW	PM	STRAP	3	4 1/8		5/16	1 1/8	NV
415-564-8	1	24	CW	PM	STRAP	3	4 1/8		5/16	1 1/8	NV
415-602-7	2	12	CCW	FW	STUD	3	5	4 1/8	5/16	1 1/2	V
415-912-7	1	12	CCW	PM	STUD	3	4 3/4	4	5/16	1 1/2	V

SINGLE SHAFT MOTORS


415-064-7

Speed: 1 A: 4 1/4
 Voltage: 12 B: 3 3/4
 Rotation: CW C: 1 5/8
 Mount: STUD D: 3
 Vent: V Dia: 5/16


415-102-7 12V
415-104-7 24V

Speed: 1 A: 3 5/8
 Voltage: 12 B: 2 3/4
 Rotation: CCW C: 13/16
 Mount: STUD D: 3
 Vent: NV Dia: 5/16


415-166-8

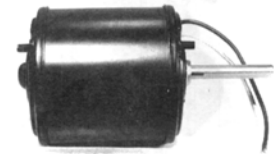
Speed: 1 A:
 Voltage: 12 B: 3 3/8
 Rotation: CCW C: 3/4
 Mount: STRAP D: 3
 Vent: NV Dia: 5/16


415-204-7

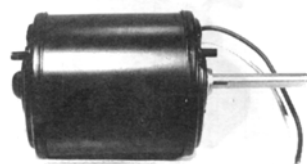
Speed: 1 A: 3 7/8
 Voltage: 24 B: 3
 Rotation: CCW C: 13/16
 Mount: STUD D: 3
 Vent: NV Dia: 5/16


415-281-8

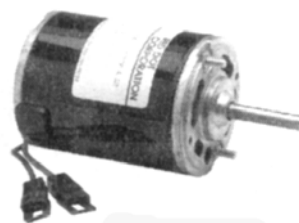
Speed: 2 A: 3 11/32
 Voltage: 12 B: 2 17/32
 Rotation: CCW C: 1 1/8
 Mount: STUD D: 3
 Vent: NV Dia: 1/4


415-284-8

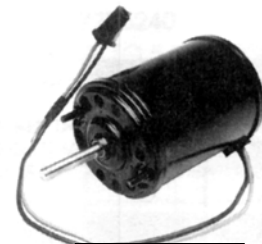
Speed: 2 A:
 Voltage: 24 B: 2 3/4
 Rotation: CCW C: 7/8
 Mount: STUD D: 3
 Vent: NV Dia: 1/4


415-356

Speed: 1 A: 3.3/4
 Voltage: 24 B: 2 7/8
 Rotation: CW C: 1 1/2
 Mount: STUD D: 3
 Vent: NV Dia: 1/4


415-422-7

Speed: 1 A: 4 3/4
 Voltage: 12 B: 4
 Rotation: CW C: 1 5/8
 Mount: STRAP D: 3
 Vent: V Dia: 5/16


415-430-7

Speed: 1 A: 4 1/8
 Voltage: 12 B: 3 1/2
 Rotation: REV C: 1 3/8
 Mount: STUD D: 3
 Vent: V Dia: 5/16


415-452-7

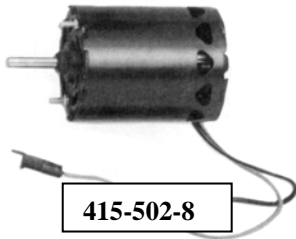
Speed: 1 A: 4 1/4
 Voltage: 12 B: 3 1/2
 Rotation: CW C: 1 1/4
 Mount: PLATE D: 3 1/8
 Vent: V Dia: 5/16


415-474-7

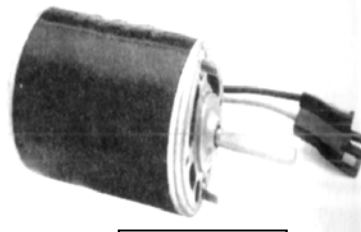
Speed: 1 A: 4 3/4
 Voltage: 24 B: 4
 Rotation: CW C: 1 1/2
 Mount: STUD D: 3
 Vent: V Dia: 5/16


415-502-7

Speed: 1 A: 4 7/8
 Voltage: 12 B: 4
 Rotation: CW C: 1
 Mount: STUD D: 3
 Vent: NV Dia: 5/16


415-502-8

Speed: 1 A: 4 3/4
 Voltage: 12 B: 4
 Rotation: CCW C: 1 9/16
 Mount: STUD D: 3
 Vent: V Dia: 5/16


415-504-7

Speed: 1 A: 4 3/4
 Voltage: 24 B: 3 7/8
 Rotation: CCW C: 1 5/8
 Mount: STUD D: 3
 Vent: V Dia: 5/16


415-505

Speed: 3 A: 4.38
 Voltage: 12 B: 4
 Rotation: REV C: 1.13
 Mount: STUD D: 3
 Vent: V Dia: 5/16


415-512-7 12V
415-514-7 24V
415-542-7 12V
415-544-7 24V

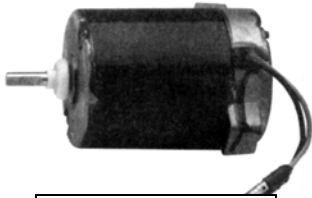
Speed: 1 A: 4 7/8
 Voltage: 12 B: 4
 Rotation: CW C: 1 1/8
 Mount: STRAP D: 3
 Vent: NV Dia: 5/16


415-522-8

Speed: 1 A: 4 7/8
 Voltage: 12 B: 4 1/8
 Rotation: CW C: 1 1/8
 Mount: STRAP D: 3
 Vent: NV Dia: 5/16


415-552-7

Speed: 2 A: 5
 Voltage: 12 B: 4 1/8
 Rotation: CW C: 1 1/2
 Mount: STUD D: 3
 Vent: V Dia: 5/16



415-562-8 12V
415-564-8 24V



415-602-7



415-912-7

Speed: 1 A:
Voltage: B: 4 1/8
Rotation: CW C: 1 1/8
Mount: STRAP D: 3
Vent: NV Dia: 5/16

Speed: 2 A: 5
Voltage: 12 B: 4 1/8
Rotation: CCW C: 1 1/2
Mount: STUD D: 3
Vent: V Dia: 5/16

Speed: 1 A: 4 3/4
Voltage: 12 B: 4
Rotation: CCW C: 1 1/2
Mount: STUD D: 3
Vent: V Dia: 5/16

Speed: A:
Voltage: B:
Rotation: C:
Mount: D:
Vent: Dia:

Speed: A:
Voltage: B:
Rotation: C:
Mount: D:
Vent: Dia:

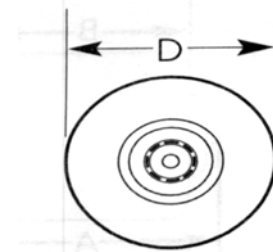
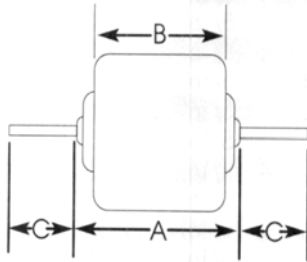
Speed: A:
Voltage: B:
Rotation: C:
Mount: D:
Vent: Dia:

Speed: A:
Voltage: B:
Rotation: C:
Mount: D:
Vent: Dia:

Speed: A:
Voltage: B:
Rotation: C:
Mount: D:
Vent: Dia:

Speed: A:
Voltage: B:
Rotation: C:
Mount: D:
Vent: Dia:

DOUBLE SHAFT MOTORS



- NOTE:**
1. INSTALLATION DETERMINES ROTATION.
 2. ON PERMANENT MAGNET MOTORS THE RED OR ORANGE LEAD IS POSITIVE
 3. MOTOR TYPE FW FIELD WOUND, PM PERMANENT MAGNET.

PART #	SPEED	VOLT	TYPE	MOUNT	HOUSING			SHAFT		NON VENT VENT
					D	A	B	DIA	C	
415-062-7	1	12		STUD/STRAP	3	4	3 3/8	5/16	3 1/8	V
415-120-8	1	12		STRAP	3	3 7/8	3 1/2	5/16	3	V
415-313	3	12		STRAP	3	4 3/4		3/8	4 5/8	V
415-332	1	12	PM	STUD/STRAP	3	4 7/8	4 1/8	5/16	4 9/16	NV
415-403	3	12		STUD/STRAP	3	4 1/8	3 3/8	5/16	3 5/16	V
415-406-7	1	12		STUD/STRAP	3	4	3 3/8	5/16	3 1/8	V
415-411	3	12	PM	STRAP	3	3.4		5/16	3	V
415-421MO	3	24	PM	STRAP	3	3.4		5/16	3	NV
415-446	1	24	PM	STRAP	3	(LENGTH 14 3/4)		3/8		NV
415-447	3	24	PM	STUD	3.5			3/8		NV
415-448	3	12	PM	STUD	3.5			3/8		NV
415-449	1	12		STRAP	3 1/4	4 3/4	4	3/8	5	V
415-520	1	12		STUD	3	5 1/8	4 1/4	5/16	2 1/2	NV
415-542	2	12		STUD	3 1/2		4 1/8	5/16	1 7/8	V
415-582-8	1	12	PM	STRAP	3		3 5/16	5/16	3 5/8	V
415-584-8	1	24	PM	STRAP	3		3 5/16	5/16	3 5/8	V
415-592-8	1	12	PM	STUD	3	4 3/4	4 1/2	5/16	2 1/2	V
415-594-8	1	24	PM	STUD	3	4 3/4	4 1/2	5/16	2 1/2	V
415-602-8	1	12	PM	STUD	3	5	3 1/2	5/16	3 1/4	V
415-604-8	1	24	PM	STRAP	3 1/16	4 1/3		5/16	2 2/3	NV
415-612-8	1	12	PM	STUD	3	5 1/2	5	3/8	2 5/8	NV
415-622-8	1	12	PM	STUD	3	5 13/32	4 17/32	5/16	2 5/16	V
415-632-7	1	12	PM	STUD	3	4 5/8	4	5/16	2 9/16	V
415-642-7	1	12	PM	STRAP	3	4 3/4	3 7/8	5/16	2 5/8	V
415-652-7	1	12	PM	STRAP	3	4 3/4	4 1/8	5/16	3 5/8	V
415-654-7	1	24	PM	STRAP	3	4 3/4	4 1/8	5/16	3 5/8	V
415-662-7	1	12	PM	STRAP	3	4 3/4	4 1/8	5/16	1 3/4	V
415-682-7	1	12	PM	STRAP	3	5 1/4	4 1/2	5/16	2 7/8	V
415-684-7	1	24	PM	STRAP	3	5 1/4	4 1/2	5/16	2 7/8	V

DOUBLE SHAFT MOTORS


415-062-7

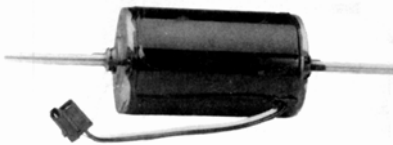
Speed: 1 A: 4
 Voltage: 12 B: 3 3/8
 Rotation: CW/CCW C: 3 1/8
 Mount: STUD/STRAP D: 3
 Vent: V Dia: 5/16


415-120-8

Speed: 1 A: 3 7/8
 Voltage: 12 B: 3 1/2
 Rotation: CW/CCW C: 3
 Mount: STRAP D: 3
 Vent: V Dia: 5/16


415-313

Speed: 3 A: 4 3/4
 Voltage: 12 B:
 Rotation: CW/CCW C: 4 5/8
 Mount: STRAP D: 3
 Vent: V Dia: 3/8


415-332

Speed: 1 A: 4 7/8
 Voltage: 12 B: 4 1/8
 Rotation: C: 4 9/16
 Mount: STUD/STRAP D: 3
 Vent: NV Dia: 5/16


415-403

Speed: 3 A: 4
 Voltage: 12 B: 3 5/16
 Rotation: C: 2 15/16
 Mount: STUD D: 3
 Vent: V Dia: 5/16


415-406-7

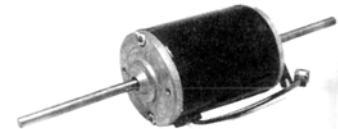
Speed: 1 A: 4
 Voltage: 12 B: 3 3/8
 Rotation: C: 3 1/8
 Mount: STUD/STRAP D: 3
 Vent: V Dia: 5/16


415-411

Speed: 3 A: 3.4
 Voltage: 12 B:
 Rotation: C: 3
 Mount: STRAP D: 3
 Vent: NV Dia: 5/16


415-421MO

Speed: 3 A: 3.4
 Voltage: 24 B:
 Rotation: C: 3
 Mount: STRAP D: 3
 Vent: NV Dia: 5/16


415-446

Speed: 1 A: 14 3/4
 Voltage: 24 B:
 Rotation: C:
 Mount: D: 3
 Vent: NV Dia: 3/8


415-447

 Speed: 3 A:
 Voltage: 24 B:
 Rotation: CCW C:
 Mount: STUD D: 3.5
 Vent: NV Dia: 3/8

415-448

 Speed: 3 A:
 Voltage: 12 B:
 Rotation: CCW C:
 Mount: STUD D: 3.5
 Vent: NV Dia: 3/8

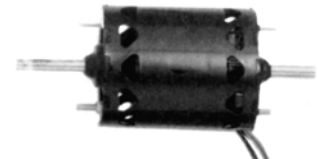
415-449

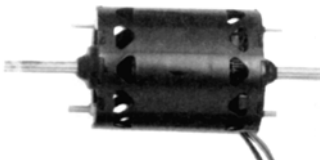
 Speed: 1 A: 4 3/4
 Voltage: 12 B: 4
 Rotation: CCW C: 5
 Mount: STRAP D: 3 1/4
 Vent: V Dia: 3/8

415-520

 Speed: 1 A: 5 1/8
 Voltage: 12 B: 4 1/4
 Rotation: CCW C: 2 1/2
 Mount: STUD D: 3
 Vent: NV Dia: 5/16

415-542

 Speed: 2 A:
 Voltage: 12 B: 4 1/8
 Rotation: CCW C: 1 7/8
 Mount: STUD D: 3.5
 Vent: V Dia: 5/16

415-582-8 12V
415-584-8 24V

 Speed: 1 A
 Voltage: B: 3 5/16
 Rotation: CCW C: 3 5/8
 Mount: STRAP D: 3
 Vent: V Dia:

415-592-8 12V
415-594-8 24V

 Speed: 1 A: 4 3/4
 Voltage: B: 4 1/2
 Rotation: CCW C: 2 1/2
 Mount: STUD D: 3
 Vent: V Dia: 5/16

415-602-8

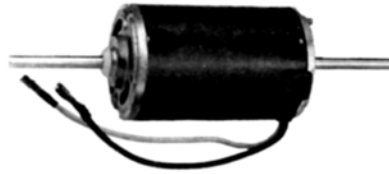
 Speed: 1 A: 5
 Voltage: 12 B: 3 1/2
 Rotation: N/A C: 3 1/4
 Mount: STUD D: 3
 Vent: V Dia: 5/16

415-604-8

 Speed: 1 A:
 Voltage: 24 B: 4 1/3
 Rotation: CCW C: 2 2/3
 Mount: STRAP D: 3 1/16
 Vent: NV Dia: 5/16


415-612-8

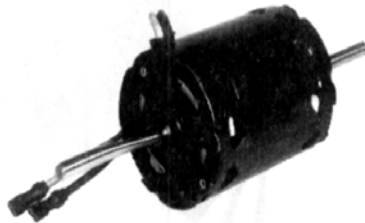
Speed: 1 A: 5 1/2
 Voltage: 12 B: 5
 Rotation: C: 2 5/8
 Mount: STUD D: 3
 Vent: NV Dia: 3/8


415-622-8

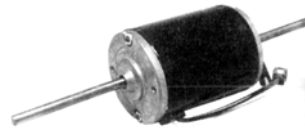
Speed: 1 A: 5 13/32
 Voltage: 12 B: 4 17/32
 Rotation: CCW C: 2 5/16
 Mount: STUD D: 3
 Vent: V Dia: 5/16


415-632-7

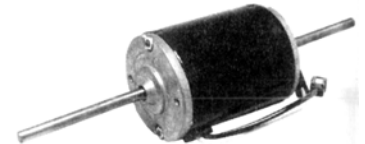
Speed: 1 A: 4 5/8
 Voltage: 12 B: 4
 Rotation: C: 2 9/16
 Mount: STUD D: 3
 Vent: V Dia: 5/16


415-642-7

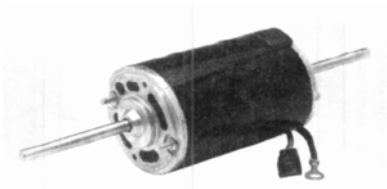
Speed: 1 A: 4 3/4
 Voltage: 12 B: 3 7/8
 Rotation: C: 2 5/8
 Mount: STRAP D: 3
 Vent: V Dia: 5/16


415-652-7 12V
415-654-7 24V

Speed: 1 A: 4 3/4
 Voltage: B: 4 1/8
 Rotation: C: 3 5/8
 Mount: STRAP D: 3
 Vent: V Dia: 5/16


415-662-7

Speed: 1 A: 4 3/4
 Voltage: 12 B: 4 1/8
 Rotation: C: 1 3/4
 Mount: STRAP D: 3
 Vent: V Dia: 5/16


415-682-7 12V
415-684-7 24V

Speed: 1 A: 5 1/4
 Voltage: B: 4 1/2
 Rotation: C: 2 7/8
 Mount: STRAP D: 3
 Vent: V Dia: 5/16

Speed: A:
 Voltage: B:
 Rotation: C:
 Mount: D:
 Vent: Dia:

Speed: A:
 Voltage: B:
 Rotation: C:
 Mount: D:
 Vent: Dia:

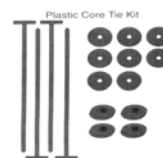
POWER FANS



SKEWED BLADE	PART #	DESCRIPTION		MANUFACTURER
	430-028	190MM PUSHER	2V	SPAL
	430-026	190MM PUSHER	24V	SPAL
	430-027	190MM PULLER	12V	SPAL
	430-029	190MM PULLER	24V	SPAL
	430-008	9" PULLER	24V	REVCOR
	430-035	9" PULLER	24V	SPAL
	430-010	9" PUSHER HP	12V	REVCOR
	430-009	9" PUSHER	24V	REVCOR
	430-009-C	9" PUSHER	24V	
S	430-021	10" PULLER	12V	TEXDYNE
S	430-020	10" PULLER	24V	SPAL
S	430-022	10" PUSHER	12V	SPAL
S	430-023	10" PUSHER	24V	SPAL
LOW AMP	430-040	10" PULLER	12V	
	430-004	11" PUSHER	24V	SPAL
	430-002	11" PULLER	12V	SPAL
S	430-012	11" PULLER	24V	SPAL
	430-011	12" PULLER	12V	SPAL
	430-013	12" PULLER	24V	SPAL
	430-014	12" PUSHER	12V	SPAL
	430-014-T	12" PUSHER HP	12V	SPAL
	430-001	12" PUSHER HP	24V	SPAL
	430-025	14" PULLER HP	12V	TEXDYNE
	430-032	14" PULLER HP	24V	SPAL
	430-033	14" PULLER	12V	SPAL
	430-031	14" PULLER	24V	SPAL
	430-030	14" PUSHER	12V	SPAL
	430-024	14" PUSHER	24V	SPAL
	430-016	16" PULLER	12V	REVCOR
	430-018	16" PULLER	12V	SPAL
	430-016-24	16" PULLER	24V	SPAL
S	430-019	16" PUSHER	12V	SPAL
	430-019-L	16" PUSHER LONG LIFE	12V	SPAL

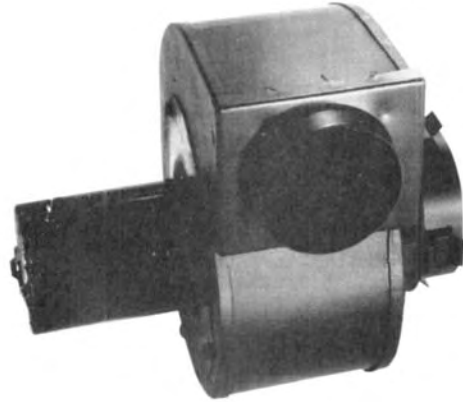


430-006 Fan mount feet



430-703

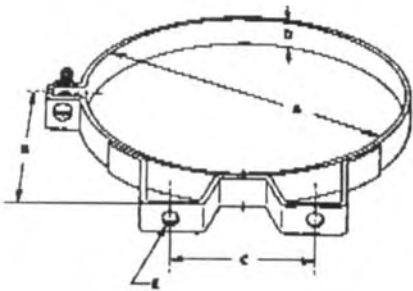
PRESSURIZERS



430-902 12V
430-904 24V
Air Flow: 140CFM (238m3/h)with filter; 230CFM (391m3/h) free flow
Weight: 7 lbs (3kg)
Motor/fan: One 12VDC, single speed (24VDC available)
Current draw: 10.2 amps@ 13.6 VDC
 6 amps @ 27.2 VDC
Dimensions : 4" inlet
 3" Outlet

430-905 12V
430-906 24V
Air Flow 220 SCFM
Max. Power 12.3 Amps @
 13.6 VDC

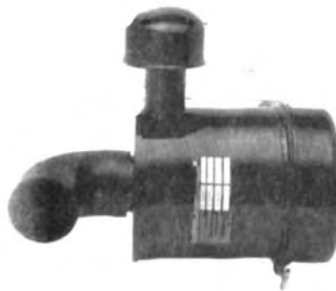
REPLACEMENT BANDS



Part #	A	B	C	D	E
435-300	9.00	5.13	4.5	1.25	.45
435-301	10.19	5.75	5.00	1.25	.45
435-302	8.0	4.5	4.25	1.0	.34
435-303	6.0	3.56	3.25	1.0	.34
435-304	7.0	4.13	4.5	.88	.30
435-510-B	5.25	3.19	3.25	.88	.70

MANY OTHER SIZES AVAILABLE

REMOTE MOUNT FILTERS

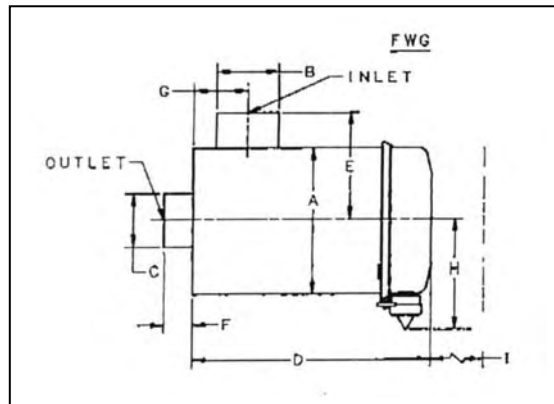


435-202
 8" Dia x 14.78" long
435-210
 5" Dia. X 12" long

435-201
 10.19" Dia x 16.22" long



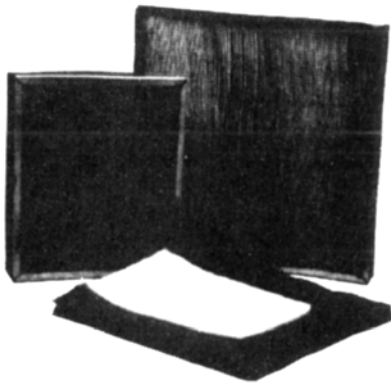
Part #	Fits O.D. (A)	Head Dia. (B)	Hgt (C)	Approx Hgt. Add. to Stack	Mat'l	Rain Shroud	Wt (lbs)
435-210-1	2..	4 1/8	3 1/4	2 3/4	Metal	No	0.50
435-399	2.5	6	3 5/16	2 1/2	Plastic	No	0.2
435-401	4	11.5	5.06	3.38	Metal	Yes	1.00
435-402	4.5	11.5	4.68	3.38	Plastic	Yes	1.00



CALL FOR PRICING

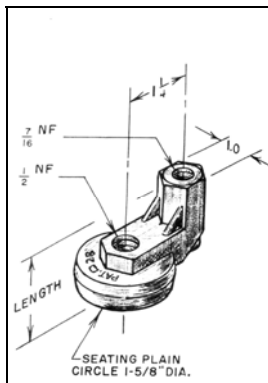
Body Dia. A	Inlet Dia. B	Outlet Dia. C	Length D	E	Outlet Length F	G	H	Service Clearance I
4.38	1.75	1.75	9.69	3.56	1.00	1.50		5.00
4.38	1.75	1.75	9.69	3.56	2.13	1.50		5.00
5.25	2.00	2.00	12.22	4.00	1.63	1.34		8.53
5.25	2.00	2.00	12.22	4.00	1.63	1.34	6.50	8.53
6.50	2.50	2.25	13.78	4.75	1.94	1.59		9.09
6.50	2.50	2.25	13.78	4.75	1.94	1.59	7.12	9.09
6.50	2.50	2.25	13.78	4.75	2.88	1.59		9.09
8.00	3.00	3.00	14.78	6.06	1.81	1.75		9.91
8.00	3.00	3.00	14.78	6.06	1.81	1.75	7.86	9.91
10.19	4.00	4.00	16.22	7.50	1.75	2.69		7.16
10.19	4.00	4.00	16.22	7.50	1.75	2.69	8.96	7.16
11.81	4.50	4.00	16.91	7.88	2.19	3.25		7.09
11.81	4.50	4.00	17.91	7.88	2.19	3.25	9.56	6.09
14.00	5.00	5.50	20.16	9.00	2.19	3.50	10.72	8.22
16.00	6.00	6.00	21.66	12.00	2.53	4.00		11.22
16.00	6.00	6.00	22.66	12.00	2.53	4.00	11.72	10.22

FILTERS

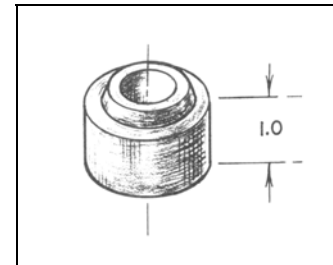


PART #	DESCRIPTION
435-007	Filter DTAC 16" x 6" x 3/4" for Donaldson assy.
435-011	Filter for R8500 Evaporator (3 1/4" x 17" x 1/4")
435-012	Filter for Slimline Evaporator (3 1/4" x 15" x 11/32")
435-014	Filter for DTAC 901 Evaporator (4 1/4" x 15" x 1/4")
435-017	Filter (EAGLE 4" x 17" x 1/2")
435-020	Filter 4" x 15 13/16" x 5/16"
435-021	Charcoal filter (8" x 8" x 1")
435-022	Filter Wix (8" x 8")
435-023	Filter Wix (6" x 8")
435-072-8	Filter for HD1000 and HD1000 Kombo sidemount (8 1/2" x 14 1/4" x 2 3/16")

ALUMINUM ECCENTRICS



PART #	DESCRIPTION
426-408	7/8" Eccentric
426-412	1-1/8" Eccentric
426-413	1-3/4" Eccentric
426-426	2" Eccentric



PART #	DESCRIPTION
426-429	1" Eccentric spacer

IDLER PULLEYS



Bearing

425-302



1-1/4" Shoulder bolt

425-303



1 1/2" Shoulder bolt

425-304



Back Side Idler
3 5/8" Dia x 3/4" wide, 17/32"
groove width x 1/8" groove depth.

425-305



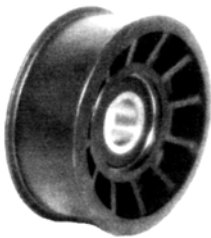
Front Side Idler
3 1/2" (90mm) 1/2" A groove.

425-301



Front Side Idler
3 5/8" dia. X 1/2" A groove

425-306



3.5" (90mm) 1/2" Flat 1.05" Face
width, flanged (plastic)

425-307



3.00" (76mm) Backside Idler
(FLAT) w/1.00" Face Width
Flanged (Metal)

425-230



3.25" (83mm) Back Side Idler
(FLAT) Flanged for Serpentine
Belts (Metal)

425-312



TEL # 519-485-5961 / 1-800-267-2665
 FAX # 519-485-3745 / 1-888-267-3745

Filter Receiver Drier Specifications

Part#	Dia.	Length	Inlet	Outlet	Aux Port	Guage Port	Fuse Plug	Press. Relief	Moist. Ind.	Sight Glass	Notes
O-RING TYPE DRIERS											
523-002-8	3	8.25	3/8 M o-ring	3/8 F o-ring					x	t	sp
523-002-9	2.75	10	3/8 M o-ring	3/8 M o-ring				x			sp
523-011-9	2.8	8	3/8 M o-ring	3/8 M o-ring			x			s	sp
523-014-9	4	9	3/8 F o-ring	3/8 M o-ring						s	hc
523-015-9	4	7.2	3/8 M o-ring	3/8 M o-ring			x			t	
523-016-9	4	6.8	3/8 M o-ring	3/8 M o-ring			x			t	
523-017-9	2.5	8	3/8 M o-ring	3/8 M o-ring		x				t	sp
523-020-9	3	8	3/8 M o-ring	3/8 M o-ring			x			s	sp
523-024-9	2.75	10	3/8 M o-ring	3/8 M o-ring		1/4" svc	x			s	
523-025-9	3	10	3/8 M o ring	3/8 M o ring				x	x	t	3, hc
523-027-9	60mm	250mm	pad	pad							
523-035-9	2.5	9	9/16 M o ring	9/16 M o ring							metric sp
523-036-9	2.5	8	3/8 M o-ring	3/8 M o-ring						t	
523-037-9	2.5	8	3/8 M o-ring	3/8 M o-ring						t	sv,sp
523-038-9	3	10.13	3/8 M o-ring	3/8 M o-ring						s	
523-039-9	2.75	9.63	3/8 M o-ring	3/8 F o-ring			x			t	sp
523-041-9	2.5	8.375	3/8 M o-ring	3/8 M o-ring			x			t	lps
523-042-9	3	6.5	3/8 M 0-ring	3/8 M o-ring			x			t	lps
523-046-9	3.25	11.25	flange	flange							3
523-052-9	3	6.5	3/8 M 0-ring	3/8 M o-ring			x				
523-060-9	4	7.7/8	3/8 M o-ring	3/8 M o-ring						t	sps,hprv
523-061-9	3	6	3/8 M o-ring	3/8 M o-ring				x		s	sps
523-062-9	3	8	3/8 M o-ring	3/8 M o-ring				x	x	t	2 svc p hc
523-065-9	4	7.2	3/8 M 0-ring	3/8 M o-ring			x				
523-067-9	2.5	8	3/8 M 0-ring	3/8 F o-ring			x				
523-109-9	3	10.5	pad	pad							
523-160-9	2.95	6.75	3/8 F o ring	3/8 F o ring				x		t	
523-245-8	3	10	3/8 M o ring	3/8 M o ring			x		x	s	spm
523-260-9	3	10	3/8 M o ring	3/8 M o ring							
523-321-9	2.5	10.25	pad	pad							
523-436-7	3	10.5	3/8 M o-ring	3/8 M o-ring			x			t	sp
523-501-9	3	10	3/8 M o ring	3/8 M o ring						x	
523-533-8	3	7.5	3/8 M o-ring	3/8 M o-ring	see note	ref. Valve	x			t	lps
523-536-7	4	7.5	3/8 M 0-ring	3/8 M o-ring			x			t	sp, hc
523-554-9	2.95	8.75	3/8 M o ring	3/8 M o ring							sp
523-556-7	3	6.5	3/8 M 0-ring	3/8 M o-ring			x			t	sp, hc
523-556-9	3	6.25	3/8 M o ring	3/8 M o ring				x		t	
523-566-7	3	6	3/8 M o-ring	3/8 M o-ring			x			t	
523-567-8	3	8 1/4	7/16 F o-ring	3/8 F o-ring							
523-575-9	3	10	3/8 M o ring	3/8 F o ring				x		t	2sv
523-576-9	3	10	3/8 M o ring	3/8 F o ring						t	2sv
523-583-9	3	10	1/2 M o ring	3/8 M o ring			x	x		t	
523-584-9	3	8.75	3/8 M o ring	3/8 M o ring		1/4" svc				s	
523-586-7	3	6	3/8 M O-ring	3/8 M o-ring			x			t	sp, hc



TEL # 519-485-5961 / 1-800-267-2665
 FAX # 519-485-3745 / 1-888-267-3745

Filter Receiver Drier Specifications

Part#	Dia.	Length	Inlet	Outlet	Aux Port	Guage Port	Fuse Plug	Press. Relief	Moist. Ind.	Sight Glass	Notes
523-606-7	3	8 ¼	3/8 M O-ring	3/8 M O-ring			x			t	
523-651-9	3	9	pad	pad							
523-720-8	3	10.08	3/8 M o-ring	3/8 M o-ring	o-ring 3/8-24			x	x	t	1
523-736-9	3	7.75	3/8 M o ring	3/8 M o ring							sp
523-744-9	3	9.25	pad	pad	2 M10 sp						
523-752-8	3	6.38	3/8 M O-ring	3/8 M O-ring	x			x		t	
523-756-7	2 ¾	10	3/8 M O-ring	3/8 M O ring	x			x		t	
523-767-8	3	10.09	3/8 M o-ring	3/8 F o-ring				x	x	t	1
523-797-8	3	8.24	3/8 M o-ring	3/8 F o-ring		ref. Valve		x	x	t	
523-797-9	90mm	300mm	pad	pad							
523-799-8	2.75	10.08	3/8 M O-ring	3/8 M O ring		ref valvr		x		t	
523-814-8	3	9.18	3/8 M o-ring	3/8 M o-ring		ref. Valve		x	x	t	
523-815-8	2.5	7.59	3/8 M o-ring	3/8 M o-ring		ref. Valve				t	
523-870-8	3	12	3/8 M o-ring	3/8 M o-ring		ref. Valve		x	x	t	1
523-871-8	3	10.12	3/8 F o-ring	3/8 M o-ring					x	s	1
523-872-8	3	10.09	3/8 M o-ring	3/8 F o-ring		ref. Valve			x	t	1
523-874-8	3	10.2	7/16 F o-ring	3/8 F o-ring		16mm R-134				t	
						quick coupling					
523-883-8	4	7	3/8 M o ring	3/8 M o ring				x		t	
523-883-9	3	10.7	3/8 M o ring	3/8 F o ring						t	
523-988-3	3	10	3/8 M O ring	3/8 M o ring				x		t	
523-989-9	3	9.2	3/8 M o ring	3/8 M o ring				x		t	
523-994-9	3	10.5	pad	pad	2 M10 SP					t	
QUICK DISCONNECT DRIERS											
523-008-9	4	8	3/8 QD	3/8 QD				x	x	x	t
523-064-9	2.5	13.85	3/8 QD	3/8 QD						x	built in orifice
523-485-9	4	7.8	QD	QD				x	x	t	
523-565-9	4	7.8	QD	QD				x	x	t	2
523-713-9	3	10	QD	QD		2 sp				t	
523-880-8	3	10.09	QD	QD		2 ref. Valve			x	t	1
						w/core 7/16-20 unf-2a thd.					
523-881-8	3	10.09	QD	QD		2 quick couplers			x	t	1
						for R-134a					
523-985-9	3	10	QD	QD		2 sp		x		t	
523-996-9	2.25	9.6	QD	QD							



TEL # 519-485-5961 / 1-800-267-2665
 FAX # 519-485-3745 / 1-888-267-3745

Filter Receiver Drier Specifications

Part#	Dia.	Length	Inlet	Outlet	Aux Port	Guage Port	Fuse Plug	Press. Relief	Moist. Ind.	Sight Glass	Notes
INLINE DRIERS											
523-018-9	4	7	3/8 M o-ring	3/8 F o-ring							
523-019-9	3	11.5	Springlock								
523-021-9	4	8	7/8 QD	3/8 M o-ring			x				
523-022-9	4	8	3/8 F o ring	3/8 F o ring							
523-063-9	2.5	6.5	3/8 M o-ring	3/8 M o-ring							
523-064-9	2.5	13.85	3/8 QD	3/8 QD					x		built in orifice
523-066-9	4	7.3/4	3/8 F O-ring	3/8 M o-ring				x			s
523-247-9	2.5	9.6	3/8 M o ring	3/8 M o ring							
523-258-9	2.5	9.6	3/8 M o ring	3/8 M o ring							
523-450-7	2.5	6.3/4	3/8 M O-ring	1/2 M o-ring							
523-618-8	3	9	3/8 M O-ring	3/8 M O-ring			x				
523-716-9	2.5	6.5	18mm M o ring	20mm M oring							
523-749-9	3	11.5	3/8 F o ring	3/8 M o ring							
523-839-9	2.5	11	3/8 M oring	1/2 M o ring							w/ orifice tube
523-865-9	2.5	7.5	1/2 M flare	1/2 M flare							
523-900-9	3	10.5	1/2 M flare	1/2 M flare							
523-986-9	4	7.5	3/8 F o ring	3/8 M o ring							
523-987-9	3	11.5	3/8 F o ring	3/8 M oring							
523-996-9	2.5	9.6	QD	QD							
FLARE TYPE DRIERS											
523-002-9F	2.75	10	3/8 M flare	3/8" M flare		x					
523-012-9	4	7	3/8 M flare	3/8 M flare			x				s
523-013-9	4	8	3/8 M flare	3/8 M flare			x				s
523-026-9	3	6.5	3/8 M flare	1/2 M flare			x				s
523-036-9F	2.5	8	3/8 M flare	3/8 M flare							t
523-037-9F	2.5	8	3/8 M flare	3/8 M flare	x		x				t
523-038-9F	3	10.13	3/8 M flare	3/8 M flare							s
523-038-9FB	3	10.13	3/8 M flare	#6 barb							s
523-040-9	3	6.5	3/8 M flare	3/8 M flare			x				
523-069-9	4	6.8	3/8 M flare	3/8 M flare			x				t
523-583-9F	3	10	1/2 M flare	3/8 M flare							t
523-767-8F	2.5	9.5	3/8 M flare	3/8 M flare	x						t
523-813-9	2.5	8	3/8 M flare	#6 barb	x						t



TEL # 519-485-5961 / 1-800-267-2665
 FAX # 519-485-3745 / 1-888-267-3745

Filter Receiver Drier Specifications

Part#	Dia.	Length	Inlet	Outlet	Aux Port	Guage Port	Fuse Plug	Press. Relief	Moist. Ind.	Sight Glass	Notes
ACCUMULATORS											
523-210-9	3.5	8.5	3/4 F o ring	3/4 F o ring							
523-309-9	3.5	9.1	27mm F o ring	27mm M o ring		12mm					
523-408-9	3.5	8	5/8 M oring	5/8 M oring		12mm					
523-417	3.5	9.12	#12 pad	#12 pad							
523-506-7	3.5	9	pad	pad							
523-547-9	3.5	9	peanut	peanut							
523-726-9	3.5	9	springlock	springlock	x	x					
523-882-8	3.5	9.25	1 1/16 F o ring	1 1/6 F o ring							
523-884-9	3.5	11.7	#10 M oring	#12 M o ring		x					

NOTES (1) Incorporates Compression Spring. (2) Includes Low Pressure Switch

- T= top mounted
- S= side mounted
- Sp= switch port
- Hc=high capacity
- Lps=low pressure switch
- Hprv=high pressure relief valve



523-002-8

DIA: 3"
LENGTH: 8.25"
INLET: #6 MOR (3/8")
OUTLET: #6 FOR (3/8")
NOTES: 2 M10 SP, SGT, MI



523-002-9

DIA: 2.75"
LENGTH: 10"
INLET: #6 MOR (3/8")
OUTLET: #6 MOR (3/8")
NOTES: Male top port, HPRV



523-002-9F

DIA: 2.75"
LENGTH: 10"
INLET: #6 MFL (3/8)
OUTLET: #6 MFL (3/8")
NOTES: Male top port,



523-008-9

DIA: 4"
LENGTH: 8"
INLET: #6 Q.D. (3/8)
OUTLET: #6 Q.D. (3/8)
NOTES: SGT, HPRV, LPS, MI, SP, High Capacity

NOTES: FP = fuse plug T or S = top/side (location of SG/SP/SV) HPRV = high pressure relief valve
SG = sight glass MI = moisture indicator SV = schrader valve port
SP = switch port LPS = low pressure switch HCD = high capacity dessicant (12+ cu in)



523-011-9

DIA: 2.5"
LENGTH: 8"
INLET: #6 MOR (3/8")
OUTLET: #6 MOR (3/8")
NOTES: SGS, FP, SP 1/4" M



523-012-9

DIA: 4"
LENGTH: 7"
INLET: #6 MFL(3/8")
OUTLET: #6 MFL(3/8")
NOTES: SGS, FP



523-013-9

DIA: 4"
LENGTH: 8"
INLET: #6 MFL(3/8")
OUTLET: #6 MFL (3/8")
NOTES: SGS, FP



523-014-9

DIA: 4"
LENGTH: 9"
INLET: #6 FOR (3/8")
INTLET: #6 MOR (3/8")
NOTES: SGS,
High capacity, spring loaded



523-015-9

DIA: 4"
LENGTH: 7.2"
INLET: #6 MOR(3/8")
OUTLET: #6 MOR (3/8")
NOTES: SGT, FP,
W/ mounting bracket



523-016-9

DIA: 4"
LENGTH: 6.8"
INLET: #6 FOR(3/8")
OUTLET: #6 MOR (3/8")
NOTES: SGT, FP



523-017-9

DIA: 2.5"
LENGTH: 8"
INLET: #6 MOR(3/8")
OUTLET: #6 MOR (3/8")
NOTES: SGT, SP, SV



523-018-9

DIA: 4"
LENGTH: 7"
INLET: #6 MOR (3/8")
OUTLET: #6 FOR (3/8")
NOTES:



523-019-9

DIA: 3"
LENGTH: 11.5"
INLET: Ford Springlock
OUTLET: Ford Springlock
NOTES:



523-020-9

DIA: 3"
LENGTH: 8"
INLET: #6 MOR (3/8")
OUTLET: #6 MOR (3/8")
NOTES: SGS, FP



523-021-9

DIA: 4"
LENGTH: 8"
INLET: 7/8 Q.D. ADAPTER
OUTLET: #6 MOR (3/8")
NOTES: FP



523-022-9

DIA: 4"
LENGTH: 8"
INLET: #6 FOR (3/8")
OUTLET: #6 FOR (3/8")
NOTES:



523-024-9

DIA: 2.75
LENGTH: 10"
INLET: #6 MOR (3/8")
OUTLET: #6 MOR (3/8)
NOTES : FP, SV, SGS



523-025-9

DIA: 3
LENGTH: 10"
INLET: #6 MOR (3/8")
OUTLET: #6 MOR (3/8)
NOTES: SGT, HPRV, MI, SP
High capacity, spring loaded



523-026-9

DIA: 3"
LENGTH: 6.5"
INLET: #6 MFL (3/8")
OUTLET: #10 MFL (1/2")
NOTES: SGS, FP



523-027-9

DIA: 60mm
LENGTH: 250 mm
INLET: PAD
OUTLET: PAD
NOTES: Replacement for: Komatsu, John Deere, Hitachi Heavy Equipment



523-035-9

DIA: 2.5"
LENGTH: 9"
INLET: #5 MOR(9/16-18)
OUTLET: #5 MOR (9/16-18)
NOTES: METRIC SWITCH PORT



523-036-9

DIA: 2.5"
LENGTH: 8"
INLET: #6 MOR (3/8")
OUTLET: #6 MOR (3/8")
NOTES: SGT



523-036-9F

DIA: 2.5"
LENGTH: 8"
INLET: #6 MFL (3/8")
OUTLET: #6 MFL (3/8")
NOTES: SGT



523-037-9

DIA: 2.5"
LENGTH: 8"
INLET: #6 MOR(3/8")
OUTLET: #6 MOR (3/8")
NOTES: SGT, SV,SP



523-037-9F

DIA: 2.5"
LENGTH: 8"
INLET: #6MFL (3/8")
OUTLET: #6MFL (3/8")
NOTES: SGT,SV,SP



523-038-9

DIA: 3"
LENGTH: 10.13"
INLET: #6 MOR (3/8")
OUTLET: #6 MOR (3/8")
NOTES: SGS, Large truck application



523-038-9F

DIA: 3"
LENGTH: 10.13"
INLET: #6 MFL (3/8")
OUTLET: #6 MFL (3/8")
NOTES: SGS



523-038-9FB

DIA: 3"
LENGTH: 10.13"
INLET: #6 MFL (3/8")
OUTLET: #6 BARB
NOTES: SGS



523-039-9

DIA: 2.75"
LENGTH: 9.63"
INLET: #6 MOR (3/8")
OUTLET: #6 FOR (3/8")
NOTES: SGS, FP, SP



523-040-9

DIA: 3"
LENGTH: 6.5"
INLET: #6 MFL (3/8")
OUTLET: #6 MFL (3/8")
NOTES: FP



523-041-9

DIA: 2.5"
LENGTH: 8.375"
INLET: #6 MOR (3/8")
OUTLET: #6 MOR (3/8")
NOTES: SGS, FP, LPS



523-042-9

DIA: 3"
LENGTH: 6.5"
INLET: #6 MOR (3/8")
OUTLET: #6 MOR (3/8")
NOTES: SGT, LPS, FP



523-046-8

DIA: 2.5"
LENGTH: 11.25"
INLET: FLANGE
OUTLET: FLANGE
NOTES: SPRING LOADED



523-052-9

DIA: 3"
LENGTH: 6.5"
INLET: #6 MOR (3/8")
OUTLET: #6 MOR (3/8")
NOTES: FP



523-060-9

DIA: 4"
LENGTH: 7 7/8"
INLET: #6 MOR (3/8")
OUTLET: #6 MOR (3/8")
NOTES: SGT, HPRV, SPS



523-061-9

DIA: 3"
LENGTH: 6"
INLET: #6 MOR (3/8")
OUTLET: #6 MOR (3/8")
NOTES: SGT, HPRV, SVS



523-062-9

DIA: 3"
LENGTH: 8"
INLET: #6 MOR (3/8")
OUTLET: #6 FOR (3/8")
NOTES: SGT, HPRV, MI, HCD,
Two SV's



523-063-9

DIA: 2.5"
LENGTH: 6.5"
INLET: #6 MOR (3/8")
OUTLET: #6 MOR (3/8")
NOTES:



523-064-9

DIA: 2.5"
LENGTH: 13.85"
INLET: #6 Q.D.
OUTLET: #6 Q.D.
NOTES: Built in orifice
and moisture indicator



523-065-9

DIA: 4"
LENGTH: 7.2"
INLET: #6 MOR (3/8")
OUTLET: #6 MOR (3/8")
NOTES: FP, International Harvester,
Med. & Heavy Duty Vehicles



523-066-9

DIA: 4"
LENGTH: 7 3/4"
INLET: #6 FOR (3/8")
OUTLET: #6 MOR (3/8")
NOTES: SGS (two way), FP
John Deere/ Allis
Chalmers



523-066-9ADAPTE

DIA: 4"
LENGTH: 7 3/4"
INLET: #6 FOR (3/8")
OUTLET: #6 MOR (3/8")
NOTES: SGS (two way), FP
With adapter to provide switch port availability.



523-067-9

DIA: 2.5"
LENGTH: 8"
INLET: #6 MOR (3/8")
OUTLET: #6 FOR (3/8")
NOTES:



523-069-9

DIA: 4"
LENGTH: 6.88"
INLET: #6 MFL (3/8")
OUTLET: #6 MFL (3/8")
NOTES: SGT, FP



523-109-9

DIA: 3"
LENGTH: 10.5"
INLET: PAD
OUTLET: PAD
NOTES: VOLVO



523-160-9

DIA: 2.95"
LENGTH: 6.75"
INLET: FOR (3/8")
OUTLET: FOR (3/8")
NOTES: SGT



523-210-9

DIA: 3.5"
LENGTH: 8.5"
INLET: 3/4" FOR
OUTLET: 3/4" FOR
NOTES:



523-245-8

DIA: 3"
LENGTH: 10"
INLET: #6MOR (3/8")
OUTLET: #6MOR (3/8")
NOTES: FP, SGS, MI, SPM



523-247-9

DIA: 2.5"
LENGTH: 9 5/8"
INLET: #6 MOR (3/8")
OUTLET: #6MOR (3/8")
NOTES:



523-258-9

DIA: 2.5"
LENGTH: 9.6"
INLET: #6 MOR (3/8")
OUTLET: #6 MOR (3/8")
NOTES:



523-260-9

DIA: 3"
LENGTH: 10"
INLET: #6 MOR (3/8")
OUTLET: #6 MOR (3/8")
NOTES:



523-309-9

DIA: 3.5"
LENGTH: 9.1"
INLET: 27mm FOR
OUTLET: 27mm MOR
NOTES: 12mm switch port male



523-321-9

DIA: 2.5"
LENGTH: 10.25
INLET: PAD
OUTLET: PAD
NOTES:



523-408-9

DIA: 3.5"
LENGTH: 8"
INLET: #10 MIO
OUTLET: #10 MIO
NOTES: M12 Male switch port



523-417

DIA: 3.5
LENGTH: 9.12
INLET: #12 PAD
OUTLET: #12 PAD
NOTES:



523-436-7

DIA: 3"
LENGTH: 10"
INLET: #6 MOR (3/8")
OUTLET: #6 MOR (2/8")
NOTES: SGT, SP



523-450-7

DIA: 2.5"
LENGTH: 6.75"
INLET: #6 MOR (3/8")
OUTLET: #10 MOR (1/2")
NOTES: INLINE



523-485-9

DIA: 4"
LENGTH: 7.8"
INLET: QD
OUTLET: QD
NOTES: HPRV



523-501-9

DIA: 3"
LENGTH: 10"
INLET: #6 MOR (3/8")
OUTLET: #6 MOR (#8")
NOTES: MI



523-506-7

DIA: 3.5"
LENGTH: 9"
INLET: PAD
OUTLET: PAD
NOTES: Peterbuilt accumulator



523-533-8

DIA: 3
LENGTH: 7.5
INLET: #6 MOR (3/8")
OUTLET: #6 MOR (3/8")
NOTES: RV 7/16, PR,SGT
INLCUDES LPS



523-536-7

DIA: 4
LENGTH: 7 1/2"
INLET: #6 MOR (3/8")
OUTLET: #6 MOR (3/8")
NOTES: HCD,FP,SPS,SGT



523-547-9

DIA: 3.5"
LENGTH: 9"
INLET: P NUT
OUTLET: P NUT
NOTES:



523-554-9

DIA: 2.95"
LENGTH: 8.75"
INLET: #6 MOR (3/8")
OUTLET: #6 MOR (3/8")
NOTES: SP



523-556-7

DIA: 3"
LENGTH: 6 1/2"
INLET: #6 MOR (3/8")
OUTLET: #6 MOR (3/8")
NOTES: HCD,FP,SPS,SGT



523-556-9

DIA: 3"
LENGTH: 6.25"
INLET: #6 MOR (3/8")
OUTLET: #6 MOR (3/8")
NOTES: HPRV, SGT.



523-565-9

DIA: 4"
LENGTH: 7.8"
INLET: QD
OUTLET: QD
NOTES: HPRV, LPS SGT



523-566-7

DIA: 3"
LENGTH: 6"
INLET: #6 MOR (3/8")
OUTLET: #6 MOR (3/8")
NOTES: FP, SGT


523-567-8

DIA: 3"
LENGTH: 8 ¼"
INLET: 7/16" FOR
OUTLET: 3/8" FOR
NOTES:


523-575-9

DIA: 3"
LENGTH: 10"
INLET: #6 MOR (3/8")
OUTLET: #6 FOR (3/8")
NOTES: HPRV 2SV, SGT


523-576-9

DIA: 3"
LENGTH: 10"
INLET: #6 MOR (3/8")
OUTLET: #6 FOR (3/8")
NOTES: SGT, 2 SV


523-583-9

DIA: 3"
LENGTH: 10"
INLET: #8 MIO (1/2")
OUTLET: #6 MIO (3/8")
NOTES: SGT



523-583-9F

DIA: 3"
LENGTH: 10"
INLET: #8 MFL (1/2")
OUTLET: #6 MFL (3/8")
NOTES: 523-583-9 w/ flare fittings



523-584-9

DIA: 3"
LENGTH: 8.75"
INLET: #6 MOR (3/8")
OUTLET: #6 MOR (3/8")
NOTES: 1/4" Charge port



523-586-7

DIA: 3"
LENGTH: 6"
INLET: #6 MOR (3/8")
OUTLET: #6 MOR (3/8")
NOTES: HCD,FP,BINARY SWITCH,SGT



523-606-7

DIA: 3"
LENGTH: 8 1/4"
INLET: #6 MOR (3/8")
OUTLET: #6 MOR (3/8")
NOTES: SP,SGT,FP



523-618-8

DIA: 2 1/2"
LENGTH: 7 1/2"
INLET: #6 MOR (3/8)
OUTLET: #6 FOR (3/8)
NOTES: FP



523-651-9

DIA: 3"
LENGTH: 9"
INLET: PAD
OUTLET: PAD
NOTES:



523-713-9

DIA: 3"
LENGTH: 10"
INLET: QD
OUTLET: QD
NOTES: 2SV



523-716-9

DIA: 2.5"
LENGTH: 6.5"
INLET: 18MM MIO
OUTLET: 20MM MIO
NOTES:



523-720-8

DIA: 3"
LENGTH: 10.08"
INLET: #6 MOR (3/82")
OUTLET: #6 MOR (3/8")
NOTES: PR,MI,SGT,COMPRESSION SPRING



523-726-9

DIA: 3.5"
LENGTH: 9.0"
INLET: #10 FSL
OUTLET: #10 FSL
NOTES: SP, SV



523-736-9

DIA: 3"
LENGTH: 7.75"
INLET: #6 MOR (3/8")
OUTLET: #6 MOR (3/8")
NOTES: SP



523-744-9

DIA: 3"
LENGTH: 9.25"
INLET: PAD
OUTLET: PAD
NOTES: 2 M10 SP


523-749-9

DIA: 3"
LENGTH: 11.5"
INLET: #6 FOR (3/8")
OUTLET: #6 MOR (3/8"0)
NOTES:


523-752-8

DIA: 3
LENGTH: 6.38
INLET: #6 MOR (3/8")
OUTLET: #6 MOR (3/8")
NOTES: PR. SGT.AUX PORT


523-756-7

DIA: 2 3/4"
LENGTH: 10"
INLET: #6 MOR (3/8")
OUTLET: #6 MOR (3/8")
NOTES: FP,SGT,SIDE PORT


523-767-8

DIA: 3
LENGTH: 10.09
INLET: 11/16 FOR
OUTLET: #6 FOR (3/8")
NOTES: PR, MI, SGT, COMPRESSION SPRING



523-767-8F

DIA: 2.5"
LENGTH: 9.5"
INLET: #6 MFL (3/8")
OUTLET: #6 MFL (3/8")
NOTES: SGT. SP



523-797-8

DIA: 3"
LENGTH: 8.24"
INLET: #6 MOR (3/8")
OUTLET: #6 FOR (3/8")
NOTES: RV 7/16, PR, MI, SGT



523-797-9

DIA: 90MM
LENGTH: 300MM
INLET: PAD
OUTLET: PAD
NOTES:



523-799-8

DIA: 2.75"
LENGTH: 10.08"
INLET: #6 MOR (3/8")
OUTLET: #6 MOR (3/8")
NOTES: RV 7/16, PR, SGT



523-813-9

DIA: 2.5"
LENGTH: 8"
INLET: #6 MFL (3/8")
OUTLET: #6 BARB
NOTES: SGT, SP



523-814-8

DIA: 3"
LENGTH: 9.18"
INLET: #6 MOR (3/8")
OUTLET: #6 MOR (3/8")
NOTES: RV 7/16, PR, MI, SGT



523-815-8

DIA: 2.5"
LENGTH: 7.59"
INLET: #6 MOR (3/8")
OUTLET: #6 MOR (3/8")
NOTES: RV 7/16, PR, MI, SGT,
COMPRESSION SPRING



523-839-9

DIA: 2.5"
LENGTH: 11"
INLET: #6 MOR (3/8")
OUTLET: #8 MOR (1/2")
NOTES:



523-865-9

DIA: 2.5"
LENGTH: 7.5"
INLET: #8 MFL (1/2")
OUTLET: #8 MFL (1/2")
NOTES:



523-870-8

DIA: 3
LENGTH: 12
INLET: #6 MOR (3/8")
OUTLET: #6 FOR (3/8")
NOTES: RV, MIO, PR, SGT, Compression spring



523-871-8

DIA: 3"
LENGTH: 10.12"
INLET: #6 FOR (3/8")
OUTLET: #6 MOR (3/8")
NOTES: MI, SGS, Incorporates compression spring



523-872-8

DIA: 3"
LENGTH: 10.09"
INLET: #6 MOR (3/8")
OUTLET: #6 FOR (3/8")
NOTES: RV MIO, MI, SGT, Incorporates compression spring



523-874-8

DIA: 3"
LENGTH: 10.2"
INLET: 7/16" FOR
OUTLET: #6 FOR (3/8")
NOTES: PR 16mm, SGT



523-880-8

DIA: 3"
LENGTH: 10.09"
INLET: QD
OUTLET: QD
NOTES: 2 -RV 7/16, MI, SGT,
Incorporates compression
spring



523-881-8

DIA: 3"
LENGTH: 10.09"
INLET: QD
OUTLET: QD
NOTES: 2 - QC, MI, SGT, Incorporates
compression spring



523-882-8

DIA: 3 1/2"
LENGTH: 9 5/64"
INLET: 1 1/16"
OUTLET: 1 1/16"
NOTES:



523-883-8

DIA: 4"
LENGTH: 7"
INLET: #6 MOR (3/8")
OUTLET: #6 MOR (3/8")
NOTES: SGT,FP



523-883-9

DIA: 3"
LENGTH: 10.7"
INLET: #6 MOR (3/8")
OUTLET: #6 FOR (3/8")
NOTES: SGT



523-884-9

DIA: 3.5"
LENGTH: 11.7"
INLET: #10 MOR
OUTLET: #12 MOR
NOTES: 7/16" SP



523-900-9

DIA: 3"
LENGTH: 10.5"
INLET: #10 MFL (1/2")
OUTLET: #10 MFL (1/2")
NOTES:


523-900-A

Inline sight glass for 523-900-9


523-985-9

DIA:	3"
LENGTH:	10"
INLINE:	QD
OUTLET:	QD
NOTES:	SGT, HPRV, 2 SP


523-986-9

DIA:	4"
LENGTH:	7.5"
INLET:	#6 FOR (3/8")
OUTLET:	#6 MOR (3/8")
NOTES:	


523-987-9

DIA:	3"
LENGTH:	11.5"
INLET:	#6 FOR (3/8")
OUTLET:	#6 MOR (3/8")
NOTES:	



523-988-3

DIA: 3"
LENGTH: 10"
INLET: #6 MOR (3/8")
OUTLET: #6 MOR (3/8")
NOTES: SGT,FP



523-989-9

DIA: 3"
LENGTH: 9.2"
INLET: #6 MOR (3/8")
OUTLET: #6 MOR (3/8")
NOTES: SGT



523-994-9

DIA: 3"
LENGTH: 10.5"
INLET: PAD
OUTLET: PAD
NOTES: 2 M 10 Flare SP, SGT



523-996-9

DIA: 2.5"
LENGTH: 9.6"
INLET: QD
OUTLET: QD
NOTES:

EVAPORATORS



PART#	COOL-HEAT/COOL	DIMENSION	ROWS	INLET	OUTLET	NOTES
411-001	C	11 x 13 x 2	3	FOR	MOR	
411-002	H/C	6 x 13.75 x 3.75	6	FOR	MOR	
411-004	C	7.5 x 12 x 3	5	FOR	MOR	
411-005	C	7.5 x 14 x 2.5	5	FOR	MOR	
411-007	C	7 x 15.5 x 3	6	FOR	MOR	
411-008	C	10 x 15.75 x 2.25	4	FOR	MOR	
411-009	H/C	5 x 12.75 x 3.75	6	MOR	MOR	
411-011	H/C	6 x 17 x 3.75	6	MOR	MOR	
411-146	C	5 x 14.5 x 3.75	6	MOR	MOR	
411-164	C	6 x 15 x 3.75	6	FOR	MOR	
411-165	H/C	5 x 10.75 x 3.75	6	FOR	MOR	
411-169	H/C	6 x 18.5 x 3.75	6	FOR	MOR	
411-170	C	8 x 14 x 2.5	5	MOR	MOR	
411-300	C	9.25 x 8.8 x 3.1	18	FOR	MOR	ALUMINUM
411-300A	C	9.25 x 8.8 x 3.1	18	FOR	MOR	ALUMINUM W/CASE
411-410	C	4 x 14 x 3.75	6	FOR	MOR	
411-420	H/C	10 x 14 x 3.75	6	FOR	MOR	
411-475	C	6 x 13 x 3.75	6	MOR	MOR	
411-475-H	H	6 x 13 x 3.75	6	5/8	5/8	
411-520	H/C	7 x 12.75 x 3.75	6	MOR	MOR	
411-580	C	5 x 29.25 x 2.5	4	FOR	MOR	
411-760	C	7 x 13.25 x 3	6	FOR	MOR	
411-824	C	6 x 15 x 3	6	FOR	MOR	
411-926	C	8 x 16 x 3	5	FOR	MOR	
411-927	C	10 x 14 x 3	5	FOR	MOR	
411-928	C	9 x 16 x 3	6	FOR	MOR	
411-960	C	6 x 18 x 3	5	FOR	MOR	
411-963	C	6 x 30 x 2.25	4	FOR	MOR	
411-966	C	7 x 20 x 3	6	FOR	MOR	
424-243A	C	4 x 27 x 4	6	FOR	MOR	

Most coils are modified for specific applications. Additional costs may apply

MARINE-CUPRONICKEL CONDENSER



PART#	WIDTH	LENGTH	HEIGHT	CONNECTIONS		RATING
				REFRIG	WATER	
420-300	14 7/8	15 7/8	6	5/8	7/8	3 TON
420-400	18 1/4	19	7	7/8	1 1/8	4 TON

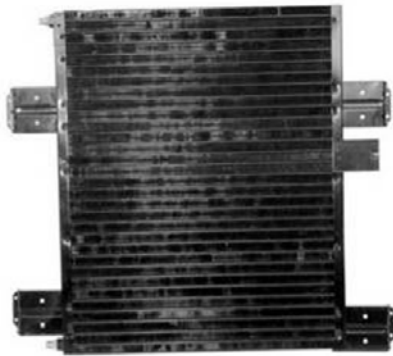
- Excellent for water-cooled condenser applications
- Highly effective convoluted inner tubes of copper or cupro-nickel
- Fifteen standard sizes for 1/2 through 30 ton systems
- U.L. and C.S.A. approved
- ISO 9001:2008 certified

HIGHWAY TRUCK CONDENSERS

PART #	MANUFACTURER	LENGTH	WIDTH	DEPTH	INLET	OUTLET	OEM #
420-240	FORD	32"	24.75"	1"	#8 MOR	#6 MOR	E7HZ19712A
420-960	FORD	23.25"	17.25"	1.5"	#8MOR	# 6 QD	F0HZ19712E
420-992	FORD	25.5"	21"	1"	#8 FEMALE SPRINGLOCK	#8 FEMALE SPRINGLOCK	F2HZ19712A
420-992-1	FORD	24 5/8"	27"	1"	#8 MOR	#6 MOR	F4HZ19712A(H)
420-992-2	FORD	25 1/8"	17.25"		#8 MOR	#6 MOR	F4HZ19959A
420-992-3	FORD	29.5"	24"	.75"	#8 MOR	#6 MOR	F0HZ19712F
420-992-5	FORD	39"	19"	1"	#8 MOR	#6 MOR	F6HT19710BA
420-992-6	FORD	31.5"	25.75"		#8 MOR	#6 MOR	E7HZ19712G
420-992-7	FORD	23 3/16"	17 7/16"	7/8"	#8 MOR	#6 MOR	F5HZ19712E
420-998	FREIGHTLINER	33.75"	20.75"		#8 MOR	#6 MOR	6818300070
420-998-1	FREIGHTLINER	34"	10"	1 3/8"	#8 MOR	#6 MOR	2232466001
420-998-2	FREIGHTLINER	30 5/8"	21.5"	1.5"	#8 MOR	#6 MOR	6808300370
420-998-3	FREIGHTLINER	42.5"	15.75"	.75"	#8 MOR	#6 MOR	2243941000
420-998-4	FREIGHTLINER	23.5"	30"	1"	#8 MOR	#6 MOR	2239302001
420-998-5	FREIGHTLINER	32.25"	6"	1 3/8"	#8 MOR	#6 MOR	A2224885001, A2224885000
420-998-6	FREIGHTLINER	23 5/8"			BLOCK	BLOCK	BHT-E2108
420-998-7	FREIGHTLINER	28.75"	20"	.75"	#8 MOR	#6 MOR	A2225339000
420-998-8	FREIGHTLINER	42.5"	15.75"		#8 MOR	#6 MOR	22-42084
420-998-9	FREIGHTLINER	42.5	15.75		BLOCK	BLOCK	BHT76465 BHT9270
420-998-10	FREIGHTLINER	44.5			BLOCK	BLOCK	BHT73002
420-998-11	FREIGHTLINER	30 5/8"	18.25"		#8 MOR	#6 MOR	6808300370 6808300070
420-910	GMC	27.75"	15.25"	.75"	#8 MOR	#6 MOR	52477032
420-950	INTERNATIONAL	28"	27.25"	7/8"	#8 MOR	#6 MOR	1675462-C1
420-950-1	INTERNATIONAL	25 7/8"	15.5"		BLOCK	BLOCK	1E5114
420-950-2	INTERNATIONAL	27"	14 7/8"		BLOCK	BLOCK	1E4897, 2505650C91
420-950-3	INTERNATIONAL	29"	28 3/8"		#8 MOR	#6 MOR	2009378C2
420-950-4	INTERNATIONAL	30 3/8"					
420-950-5	INTERNATIONAL	29 3/8"	25.25"		#8 MOR	#6 MOR	1667340C5
420-950-6	INTERNATIONAL	29.25"	24 3/8"		#8 MOR	#6 MOR	2000655C2
420-950-7	INTERNATIONAL	30"	26.5"		#8 MOR	#6 MOR	2004801C1
420-950-8	INTERNATIONAL	36"	26.75"	1 1/8"	#8 MOR	#8 MOR	3504377C1
420-950-9	INTERNATIONAL	25.25"	14 3/8"		BLOCK	BLOCK	1E5001
420-911	KENWORTH	31.25"	27 3/8"	.75"	BLOCK	BLOCK	486684-5008
420-914	KENWORTH	30.75"	8"	1"	#8 MOR	#6 MOR	K 122-93
420-942	KENWORTH	31.25"	17 1/8"		#8 MOR	# 6 MOR	K 122-125
420-942-1	KENWORTH	31.25"	17 1/8"		#8 MOR	#6 MOR	K122-143
420-942-2	KENWORTH	37.75"	9.5"		#8 MOR	#6 MOR	
420-942-3	KENWORTH	31"	9.5"		#8 MOR	#6 MOR	K122-128
420-913	MACK	35.25"	11 1/8"		#8 MOR	#6 MOR	210RD511M
420-988	MACK	40 7/8"	28.25"		#8 MOR	#6 MOR	210RD510/54M

HIGHWAY TRUCK CONDENSERS

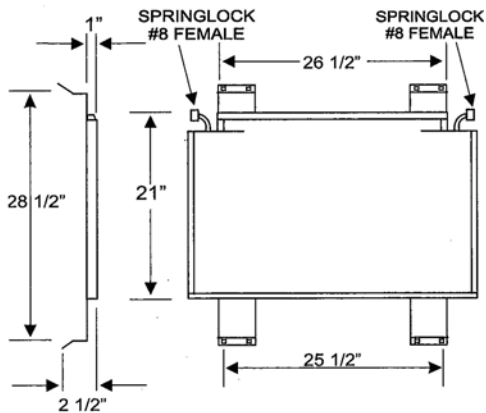
FORD



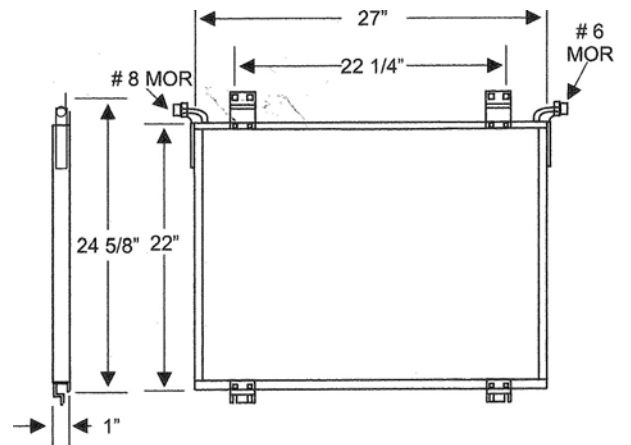
420-240
OEM #: E7HZ19712A

No picture available

420-960
OEM #: F0HZ19712E

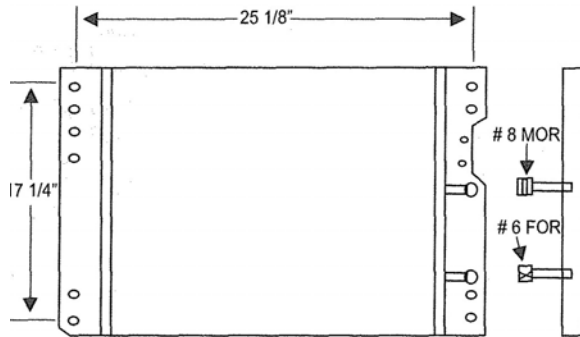


420-992
OEM #: F2HZ19712A

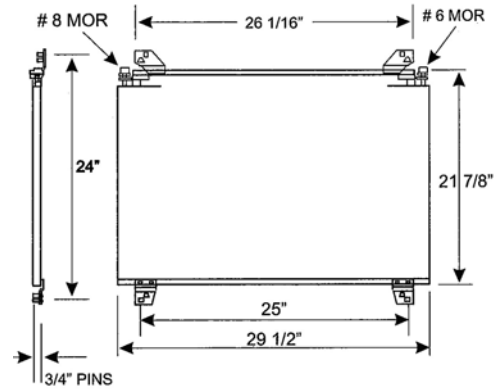


420-992-1
OEM #: F4HZ19712A(H)

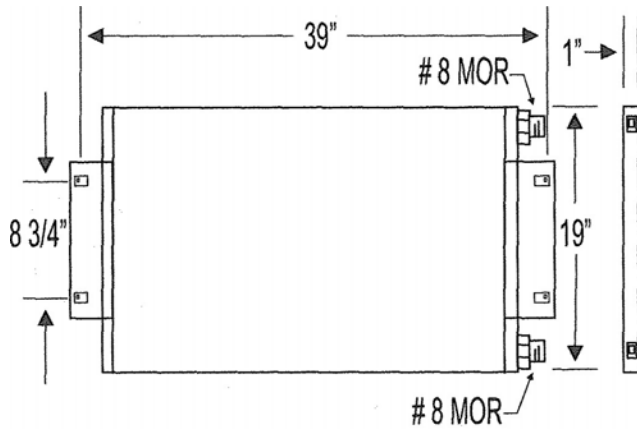
FORD



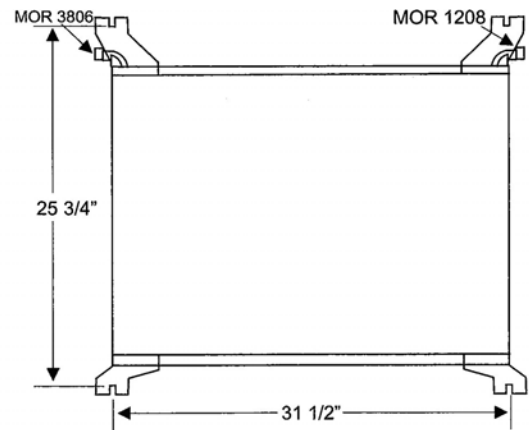
420-992-2
OEM #: F4HZ19959A



420-992-3
OEM#: F0HZ19712F

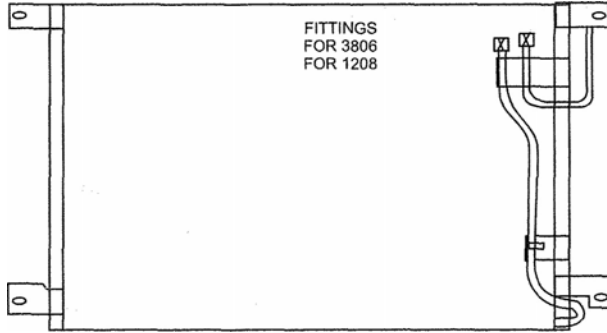


420-992-5
OEM #: F6HT19710BA



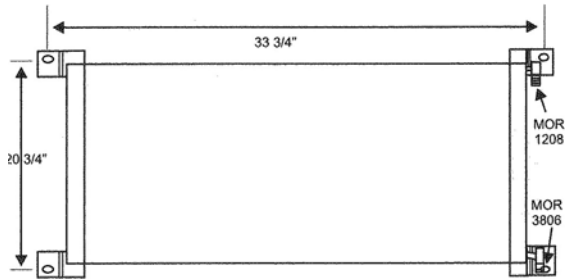
420-992-6
OEM#: E7HZ19712G

FORD

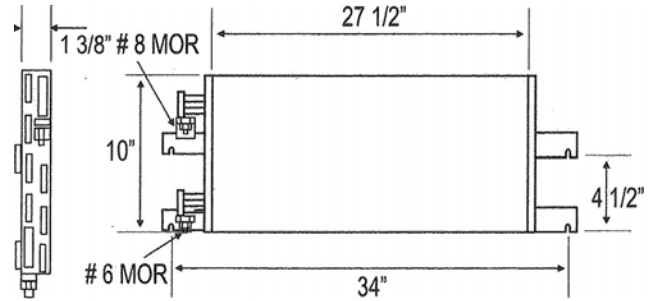


420-992-7
OEM#: F5HZ19712E

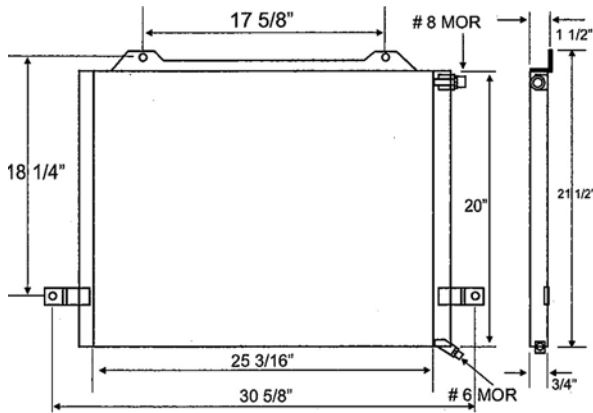
FREIGHTLINER



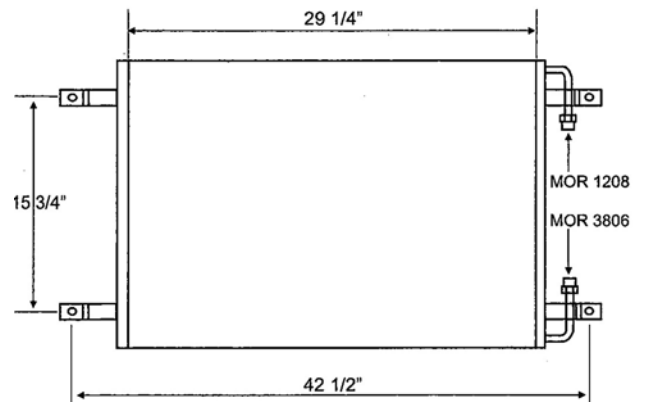
420-998
OEM#: 6818300070



420-998-1
OEM#: 2232466001

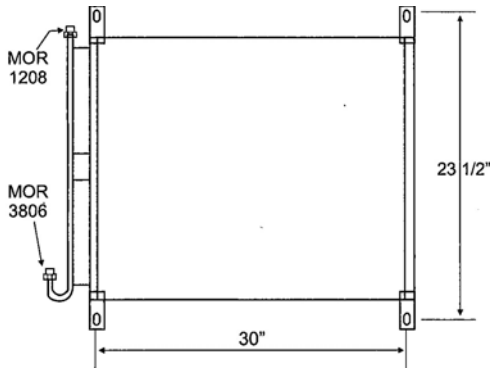


420-998-2
OEM#: 6808300370

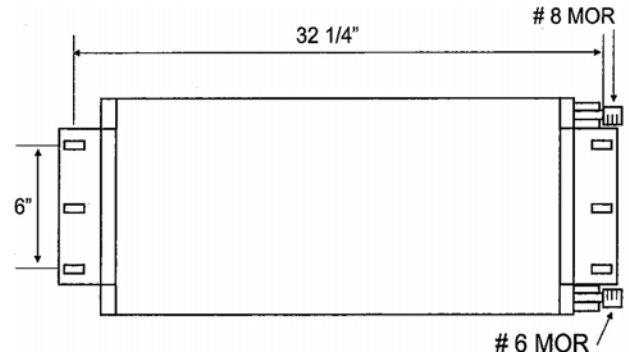


420-998-3
OEM#: 2243941000

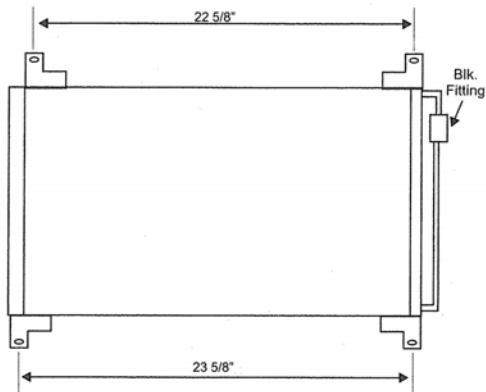
FREIGHTLINER



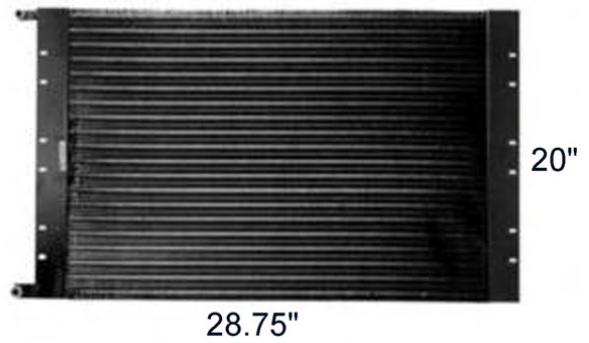
420-998-4
OEM#: 2239302001



420-998-5
OEM#: A2224885001
A224885000

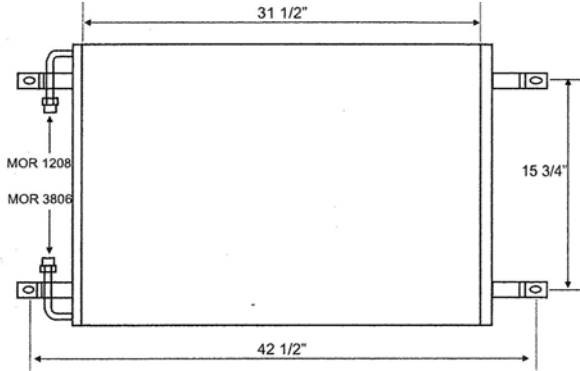


420-998-6
OEM#: BHT-E2108

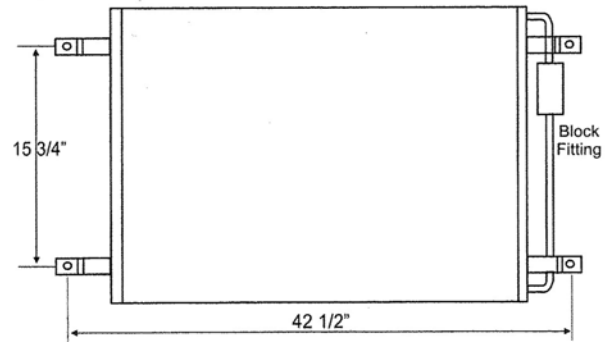


420-998-7
OEM#: A2225339000

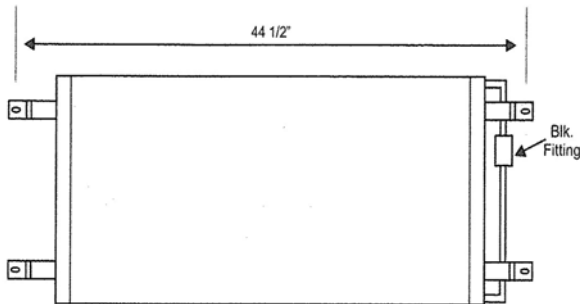
FREIGHTLINER



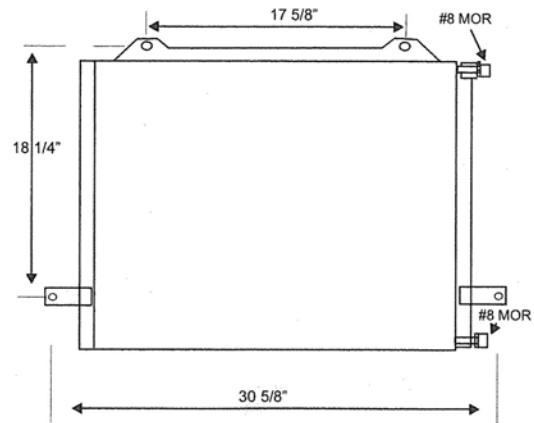
420-998-8
OEM#: 22-42084



420-998-9
OEM#: BHT79465,
BHT9270

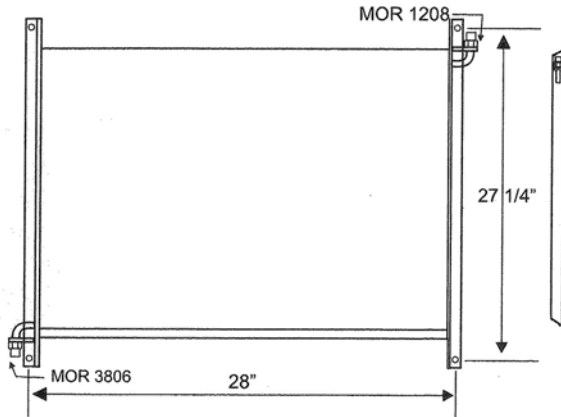


420-998-10
OEM#: BHT73002

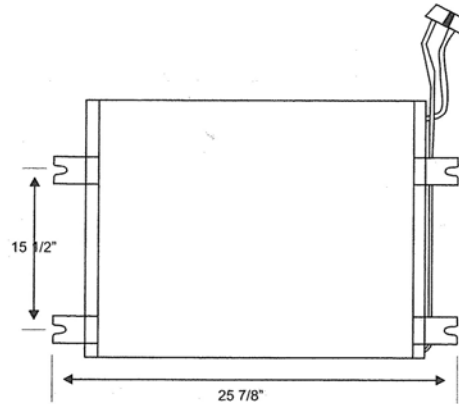


420-998-11
OEM#: 6808300070,
6808300370

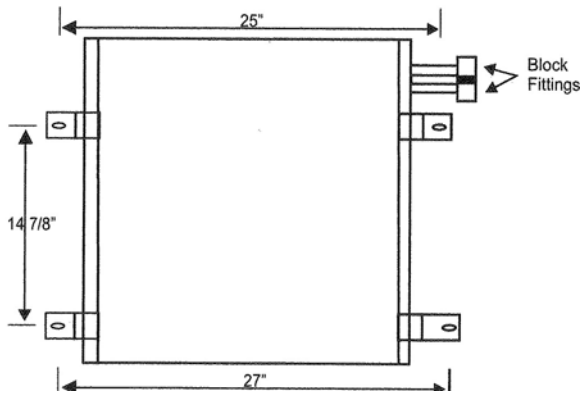
INTERNATIONAL



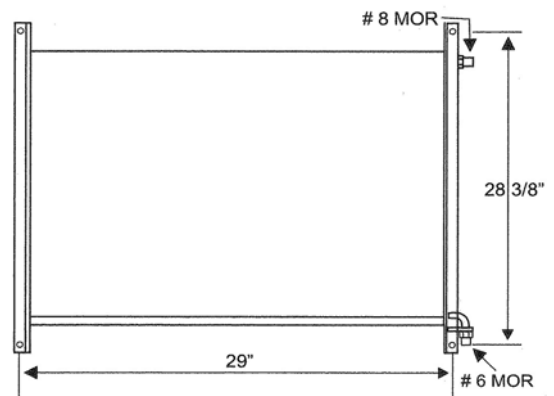
420-950
OEM#: 1675462-C1



420-950-1
OEM#: 1E5114

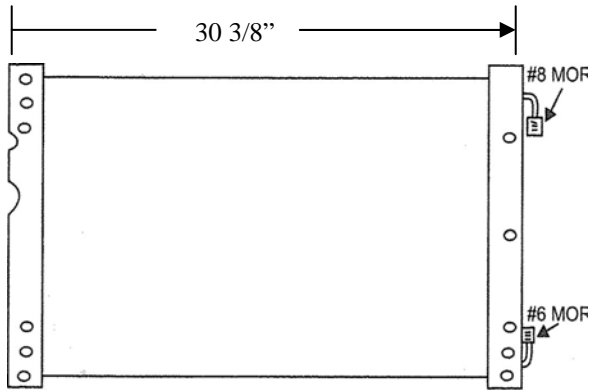


420-950-2
OEM#: 1E4897
2505650C91

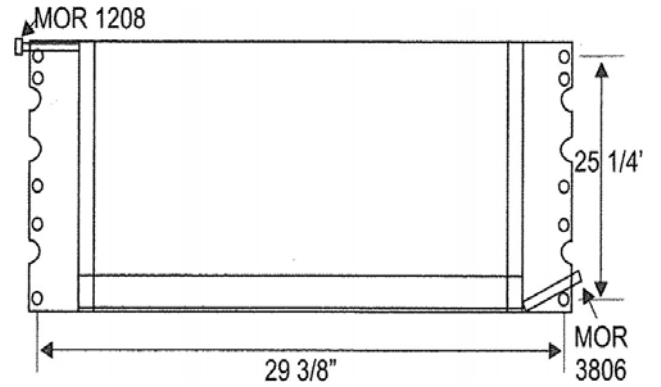


420-950-3
OEM#: 2009378C2

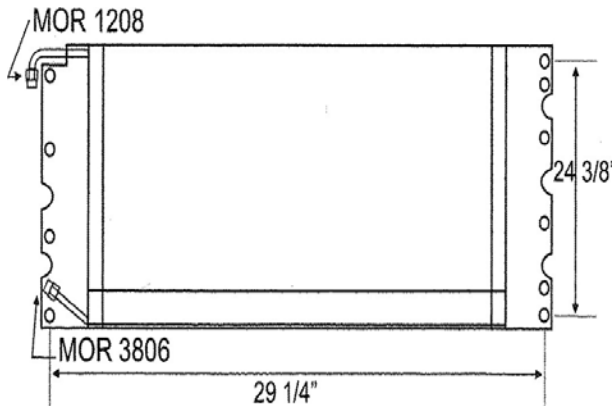
INTERNATIONAL



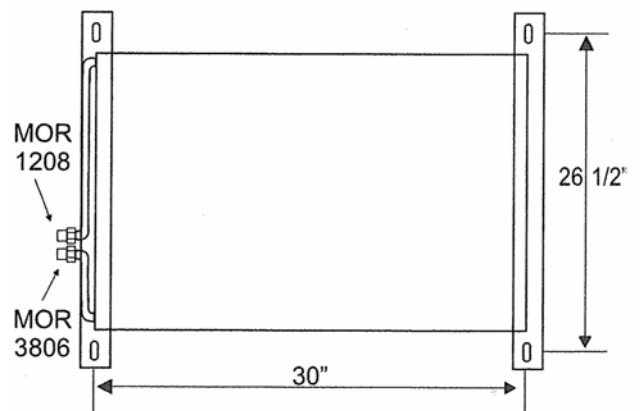
420-950-4
OEM#:



420-950-5
OEM#: 1667340-C5

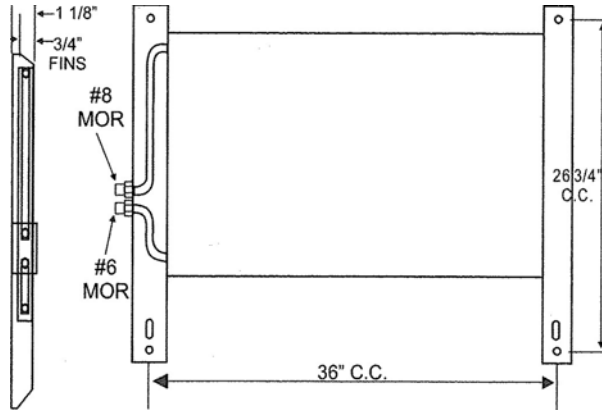


420-950-6
OEM#: 2000655-C2

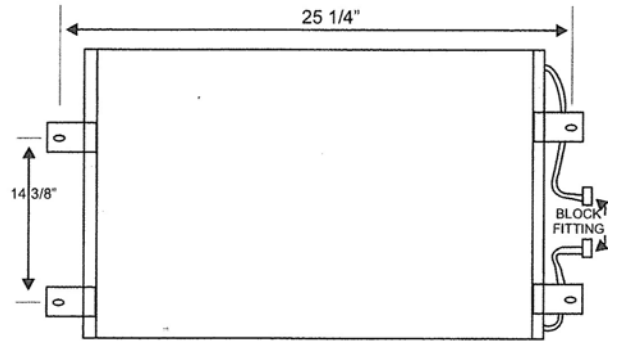


420-950-7
OEM#: 2004801-C1

INTERNATIONAL

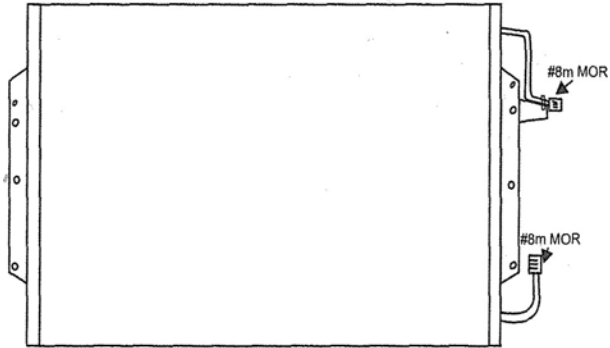


420-950-8
OEM#: 3504377-C1



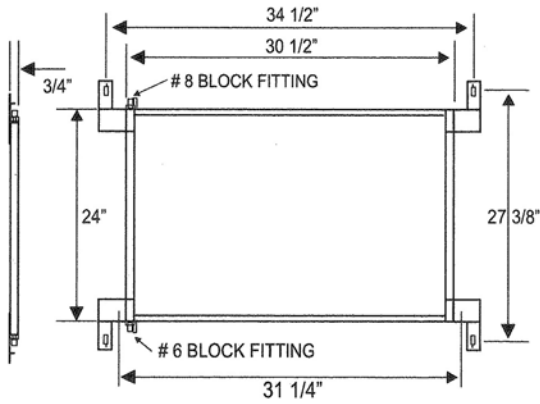
420-950-9
OEM#: 1E5001

GMC / KODIAK

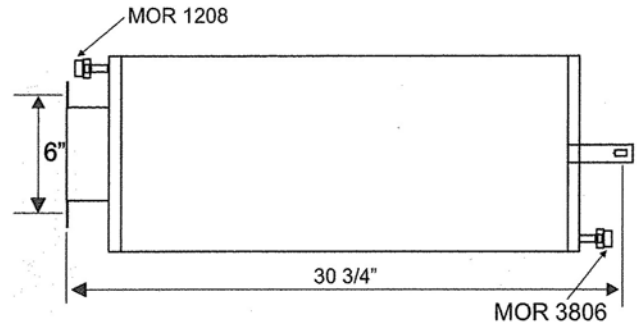


420-910
OEM#: 52477032

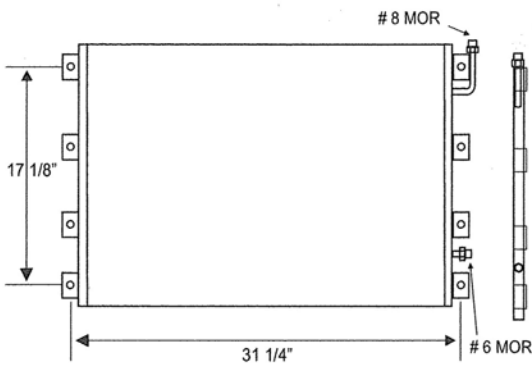
KENWORTH



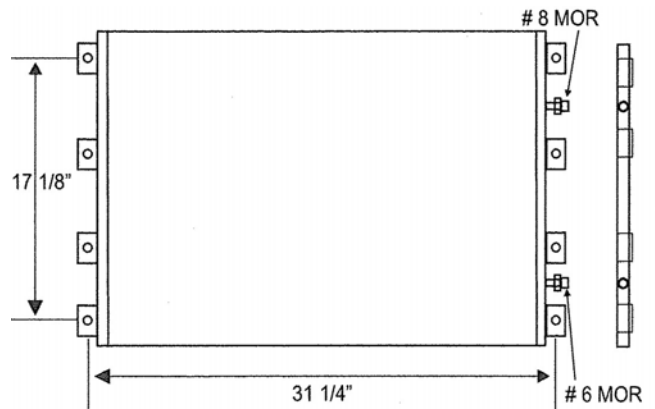
420-911
OEM#: 486684-5008



420-914
OEM#: K122-93

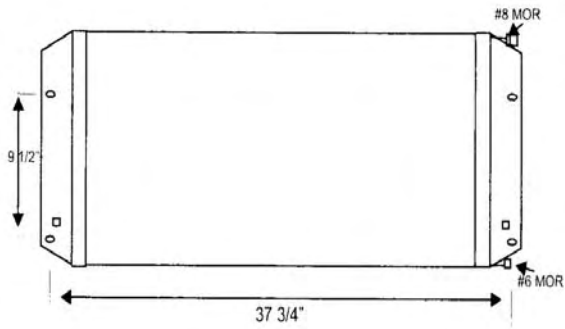


420-942
OEM#: K122-125

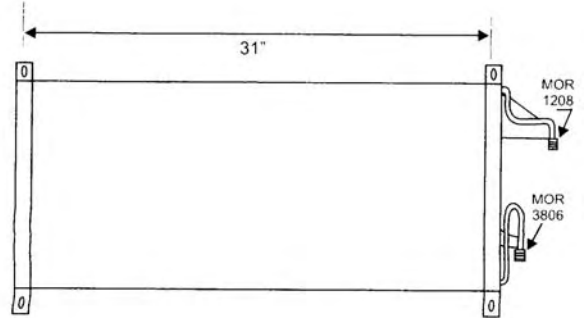


420-942-1
OEM#: K122-143

KENWORTH

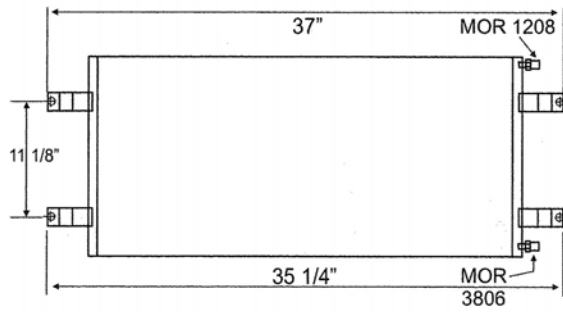


OEM#: **420-942-2**

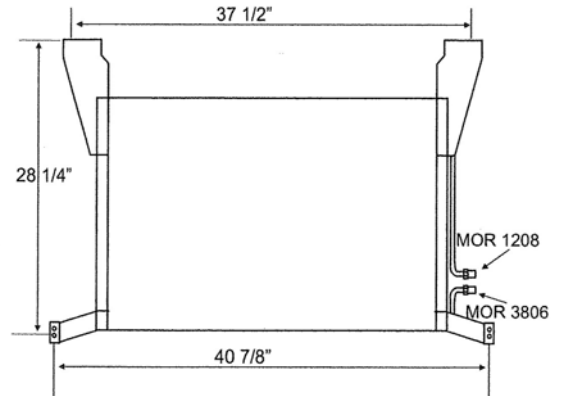


OEM#: **420-942-3**
OEM#: K122-128

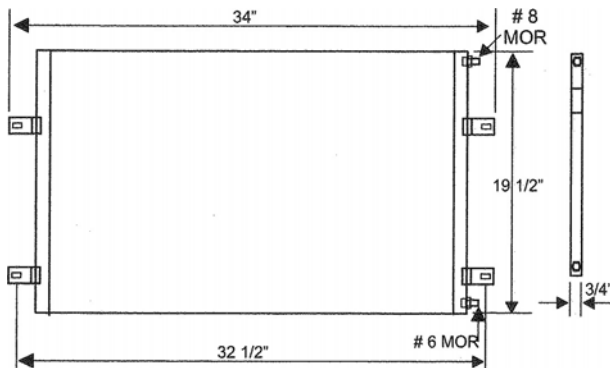
MACK



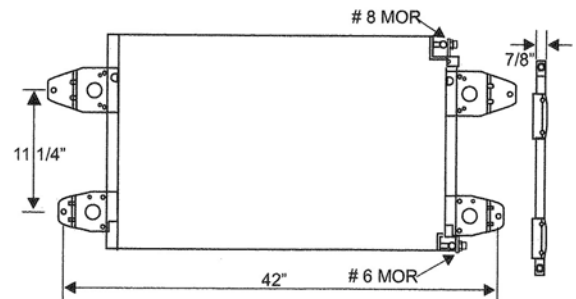
420-913
OEM#: 210RD511M



420-988
OEM#: 210RD510
210RD54M

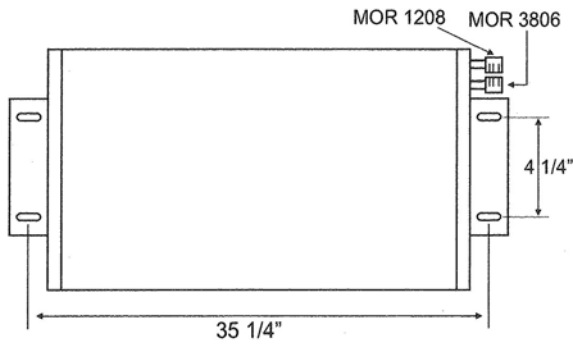


420-988-1
OEM#: 210RD59M

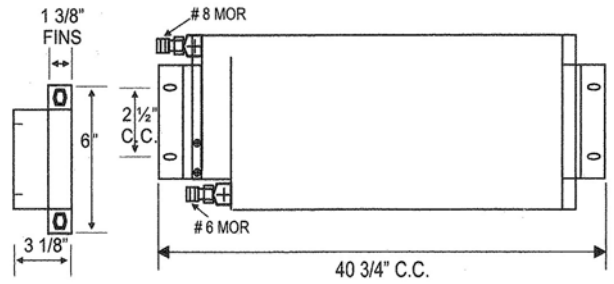


420-988-2
OEM#: 210RD56M

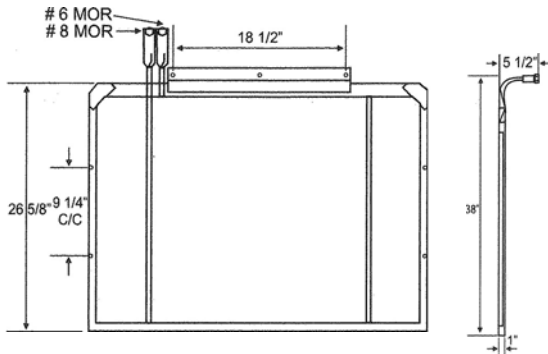
MACK



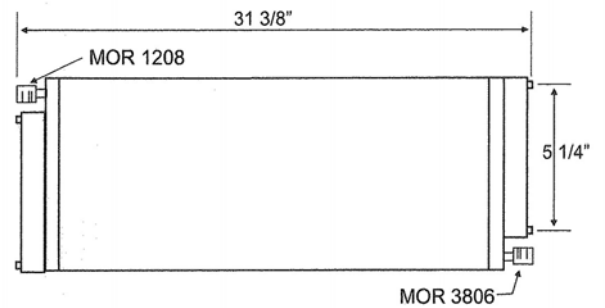
420-988-3
OEM#: 210RD421M



420-988-4
OEM#: 240RD411M

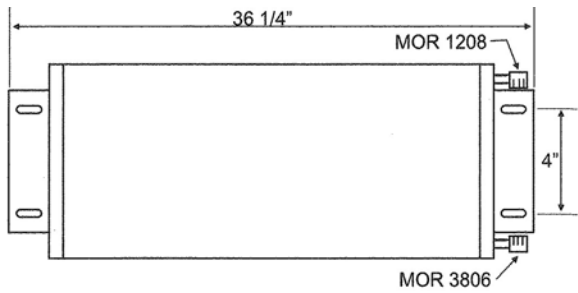


420-988-5
OEM#: 210RD412

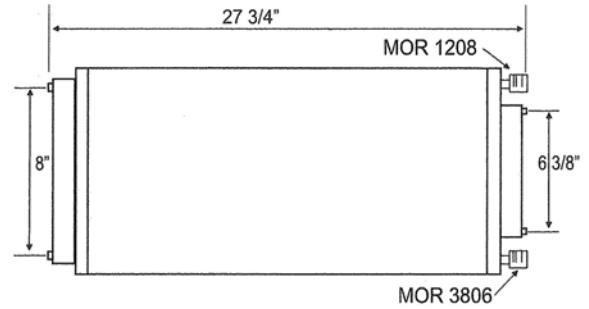


420-988-6
OEM#: 310RD45A

MACK



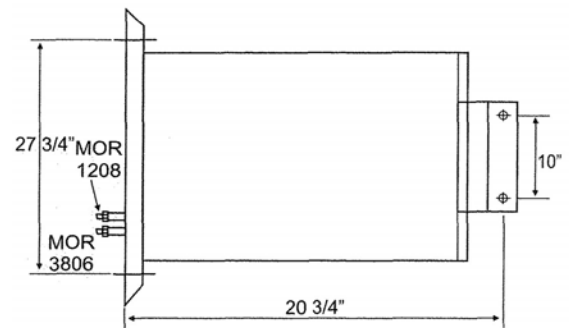
420-988-7
OEM#: 210RD410M



420-988-8
OEM#: 210RD413

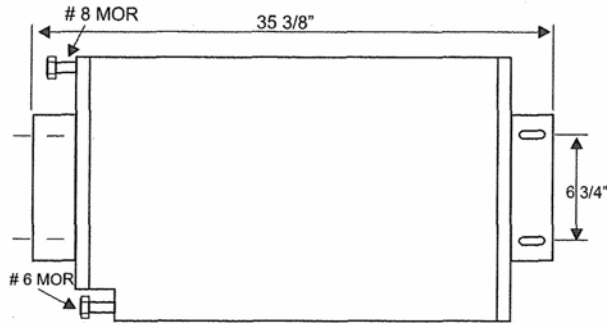


420-988-9
OEM#: 210RD428

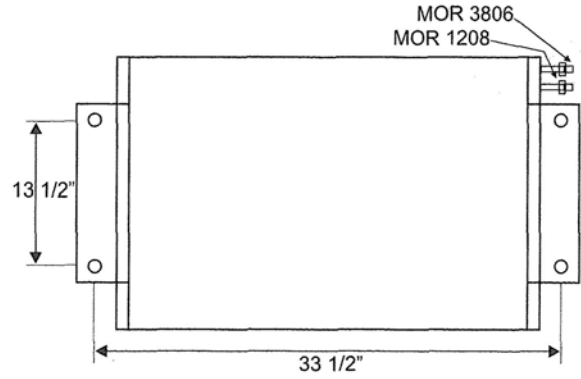


420-988-10
OEM#: 210RD-424

MACK

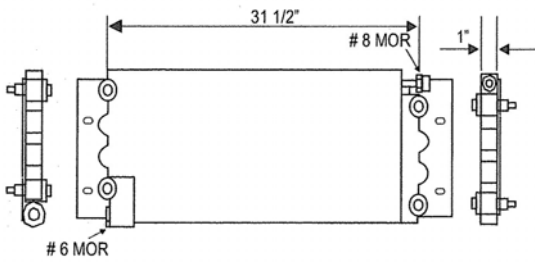


420-988-11
OEM#: 210RD-425
210RD-512M

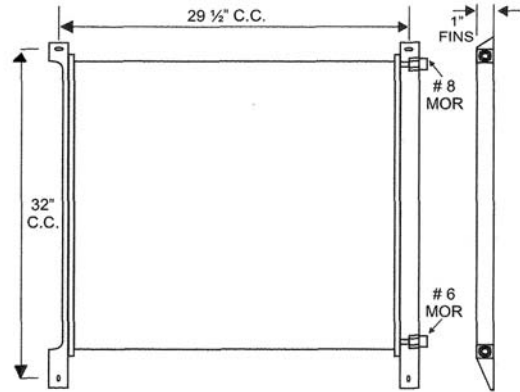


420-988-12
OEM#: 210RD-418

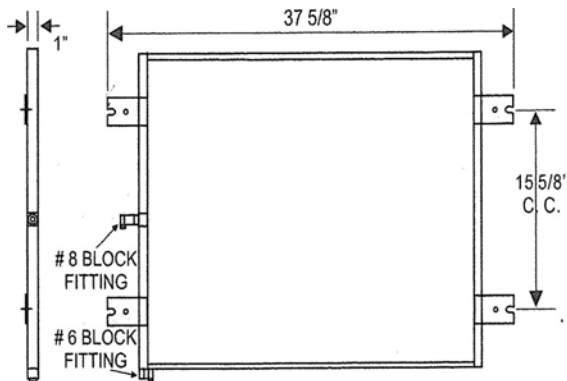
PETERBILT



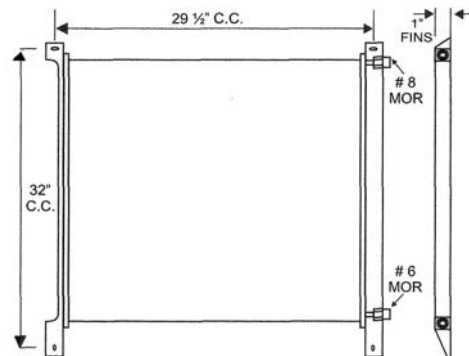
420-940
OEM#: 18-03093



420-941
OEM#: 18-03809

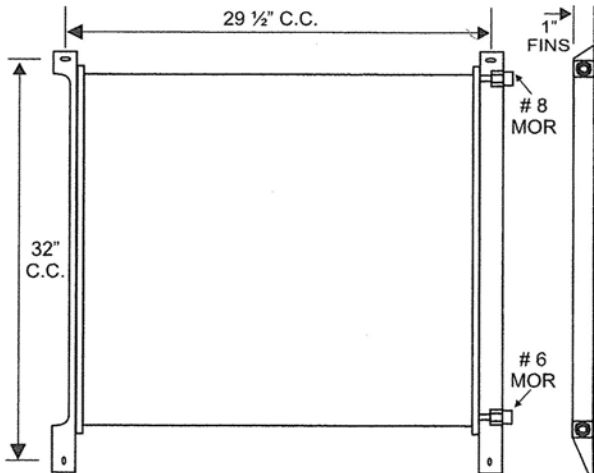


420-941-1
OEM#: 1E4582

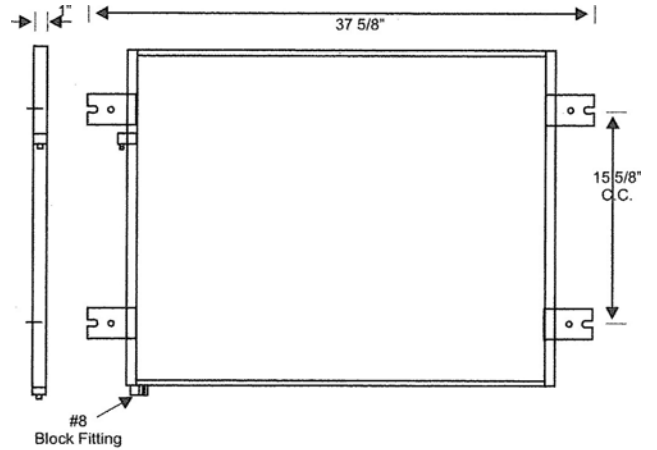


420-941-2
OEM#: 18-03809
18-04015

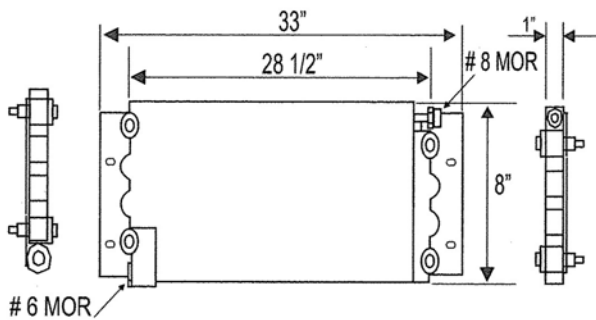
PETERBILT



420-941-3
OEM#: 18-03809
18-04015

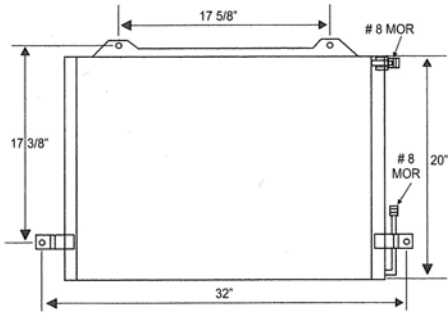


420-941-4
OEM#: 1E5611

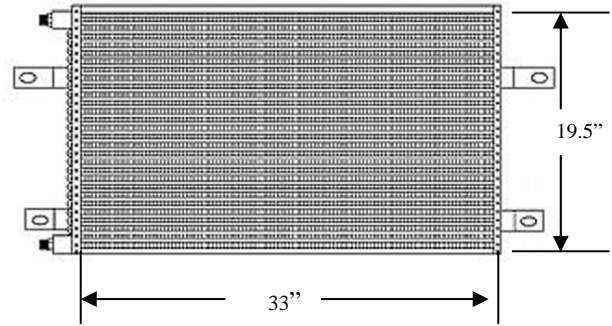


420-943
OEM#: 18-03543

STERLING

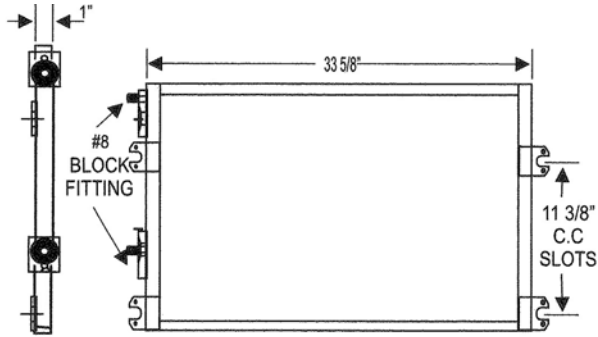


420-992-8
OEM#: BHT80319, E4690

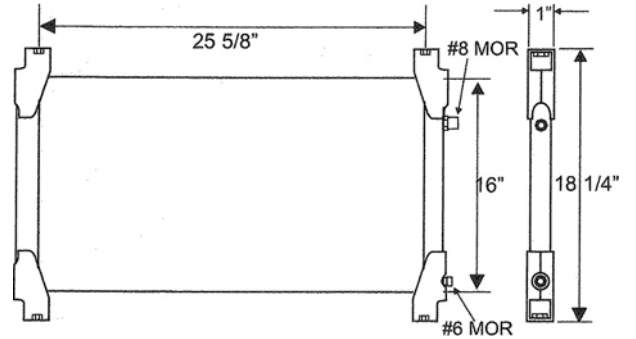


420-992-9
OEM#: VAB1210364, VAL1210364

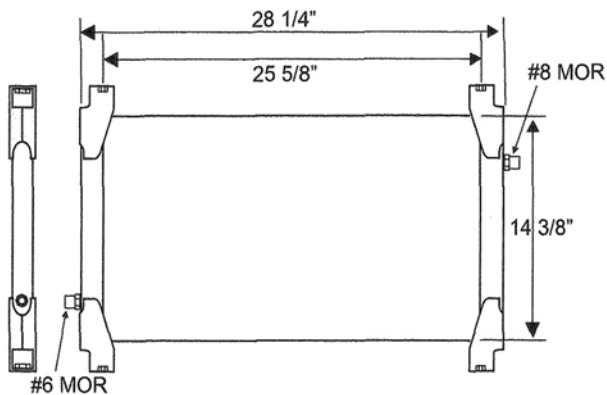
VOLVO



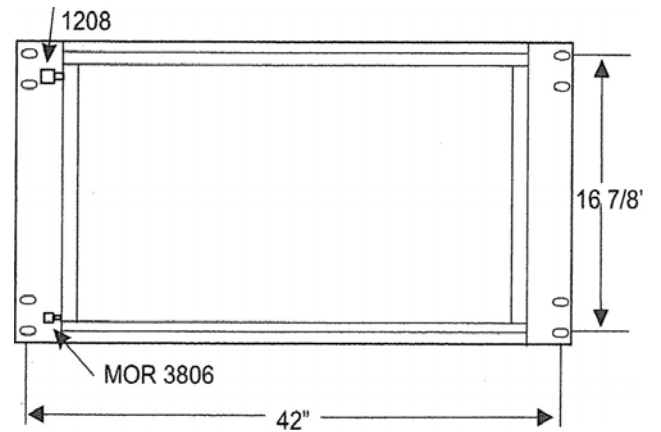
420-989
OEM#: 20461065, 8084348,
21095290



420-990
OEM#: 8157100

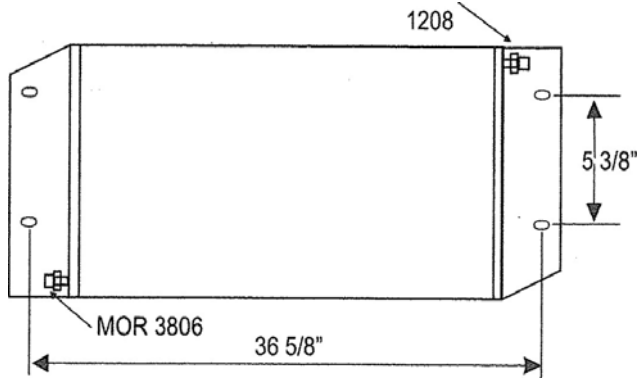


420-990-1
OEM#: 8164786

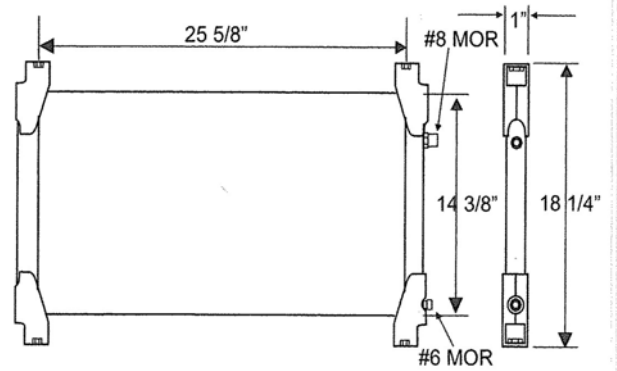


420-990-2
OEM#: 61203-3207

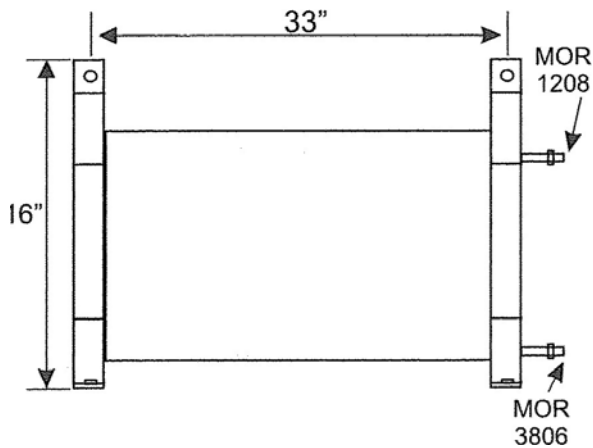
VOLVO



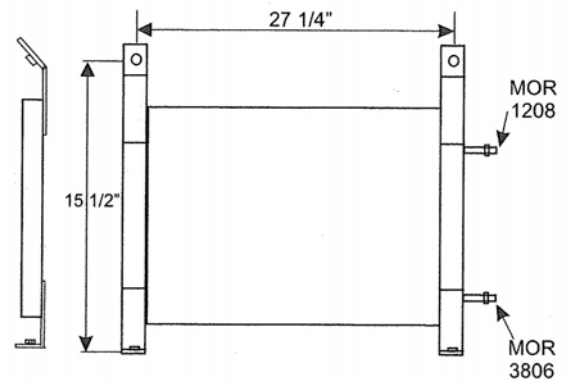
420-990-3
OEM#: 61205-3211



420-990-4
OEM#: 8022509

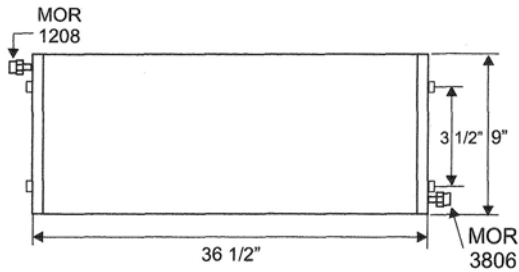


420-990-5
OEM#: 3092918

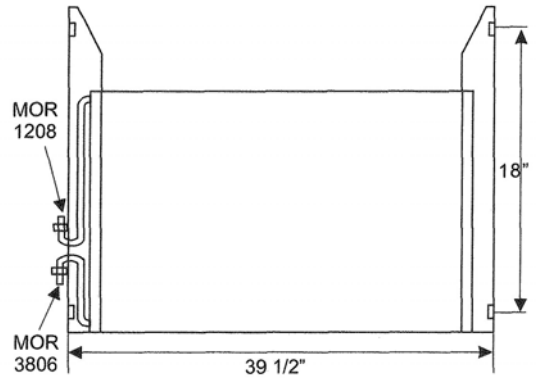


420-990-6
OEM#: 8074693

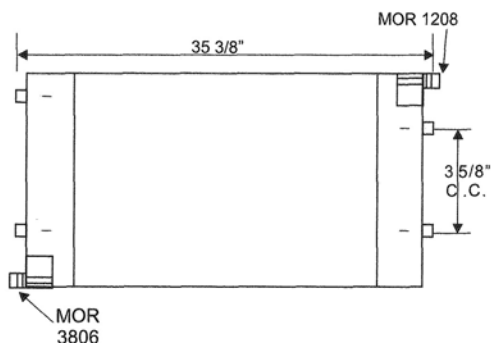
WESTERN STAR



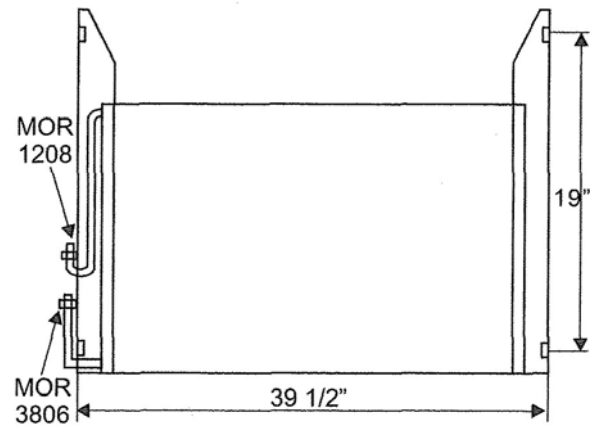
420-915
OEM#: 61203-3403



420-915-1
OEM#: 61203-3409

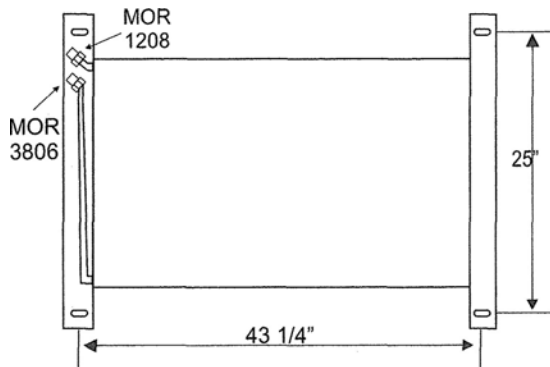


420-915-2
OEM#: 61203-3406

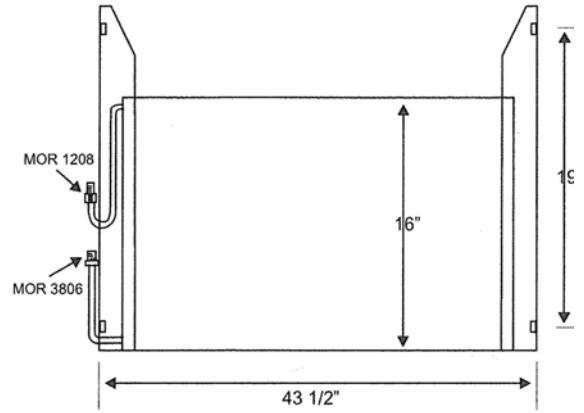


420-915-3
OEM#: 61203-3418

WESTERN STAR



420-915-4
OEM#: 61203-3430



420-915-5
OEM#: RD-4-5713-0



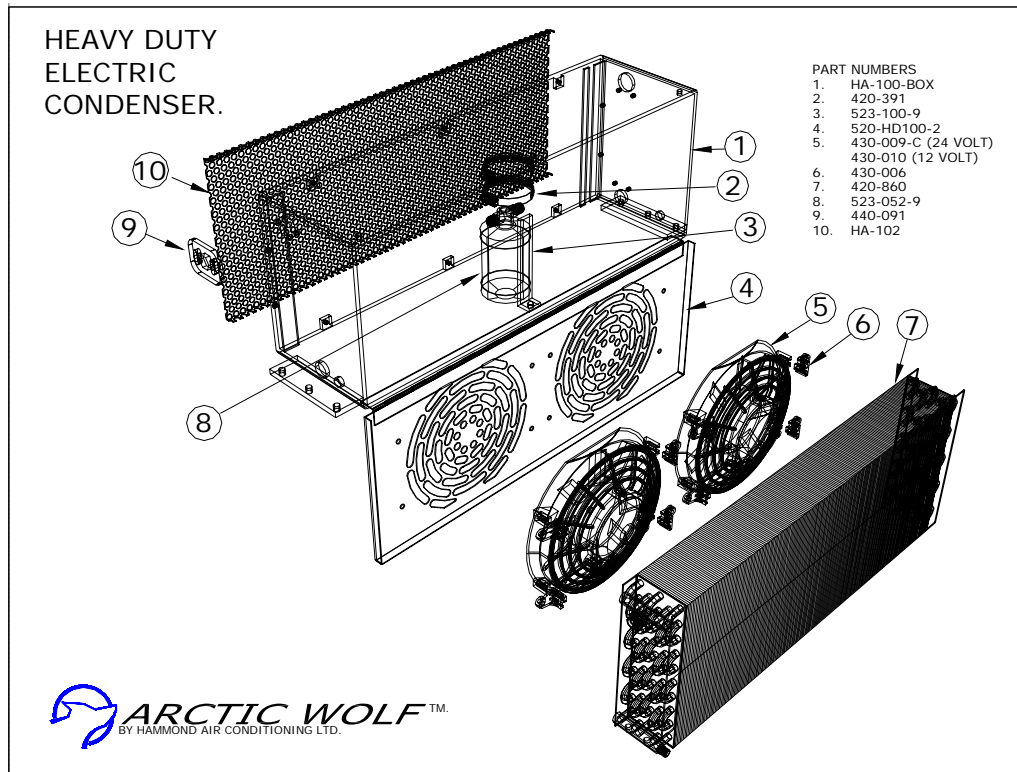
TEL # 519-485-5961 / 1-800-267-2665
FAX # 519-485-3745 / 1-888-267-3745



TEL # 519-485-5961 / 1-800-267-2665
FAX # 519-485-3745 / 1-888-267-3745

**ARCTIC WOLF™
CUSTOM
MANUFACTURED
PARTS / SYSTEMS**

HEAVY DUTY CONDENSER



HA-100-12-HD 12v Heavy Duty Condenser

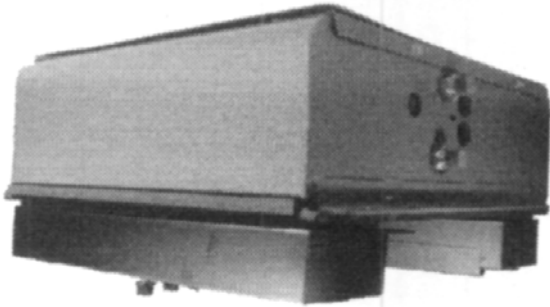
HA-100-24-HD 24v Heavy Duty Condenser

Note: must specify fittings on left or right side of condenser sitting in drivers seat

This high capacity heavy-duty condenser is designed for the most severe environments. With 1/4" steel plate construction using solid welds for the casing and 12ga inlet and outlet covers, this condenser is intended for the most rugged conditions in landfills, transfer stations, forestry and other off-road applications where a radiator condenser is impractical. The coil is a 5-row copper tube, aluminum fin core with rifled tubing for highest efficiency. The fins are 0.008" aluminum (standard is 0.0055") rippled edge and are intended to withstand pressure washing. The 10 fins per inch spacing will allow most of the fine particles to pass through without clogging. The two 9" ten bladed power fans are rated at up to 750 CFM each. This condenser will support up to 40,000 BTU/hr total capacity at the evaporators.

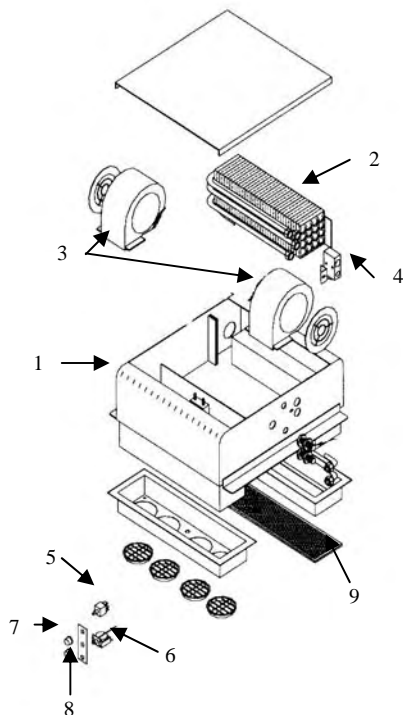
While the Heavy Duty Condenser is designed to withstand the most severe of environments it, is also designed to be easily serviced. The fan mounting face is hinged for easy servicing of the fans and for easy access for cleaning of the coil with a pressure washer or high-pressure air.

HA901 / HA901-24
Horizontal or Vertical Mount
Evaporator / Heat Unit



Features

- Available 12 or 24 Volt
- Horizontal Mounting
- Vertical Mounting
- E-Z Servicing by Removing top
- Access to All Internal Parts **Without** Removal of Unit
- Three Speed Blower motor
- Adjustable Thermostat
- 4 Adjustable Louvers
- Mounting Flange Welded to Case
- Powder Coat Finish
- Hammer Tone Gray Color



Specifications

BTU: 26,000 Cool
26,000 Heat

Air Flow: 405 CFM

Height: 7.5"

Width: 20.5"

Depth: 20.25"

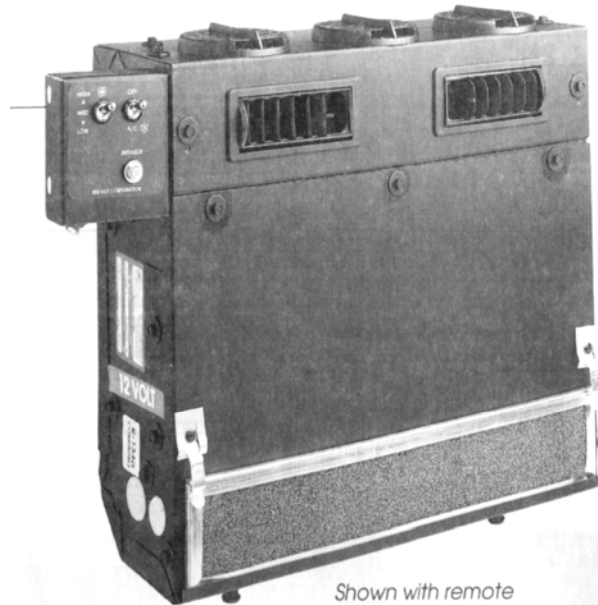
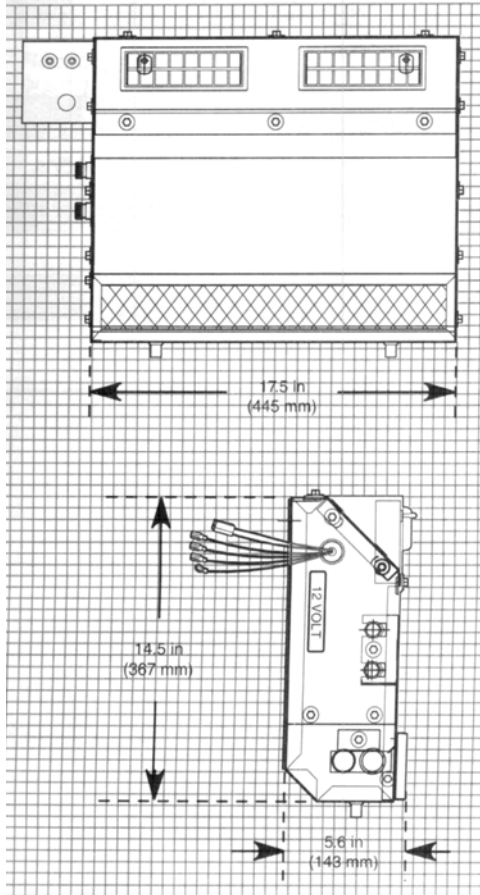
Weight: 89 lbs

Motor: 1-24V or 24V

Current Draw: 12V – 22.5 amps @ 13.6 vDC
24V – 15 amps @ 26.8 VDC

ITEM	PART #	DESCRIPTION
1	901-000	Evaporator box
2	411-164	Evaporator Coil
3	401-856	Blower Assy 12V (2)
	401-856-24	Blower Assy 24V (2)
4	514-412	Block Expansion Valve
5	412-102	Blower Switch
6	413-205	Thermostat
7	411-058	Fan Knob
8	411-057	Thermostat Knob
9	435-014	Intake Filter

H8500 BACKWALL AIR CONDITIONER UNIT

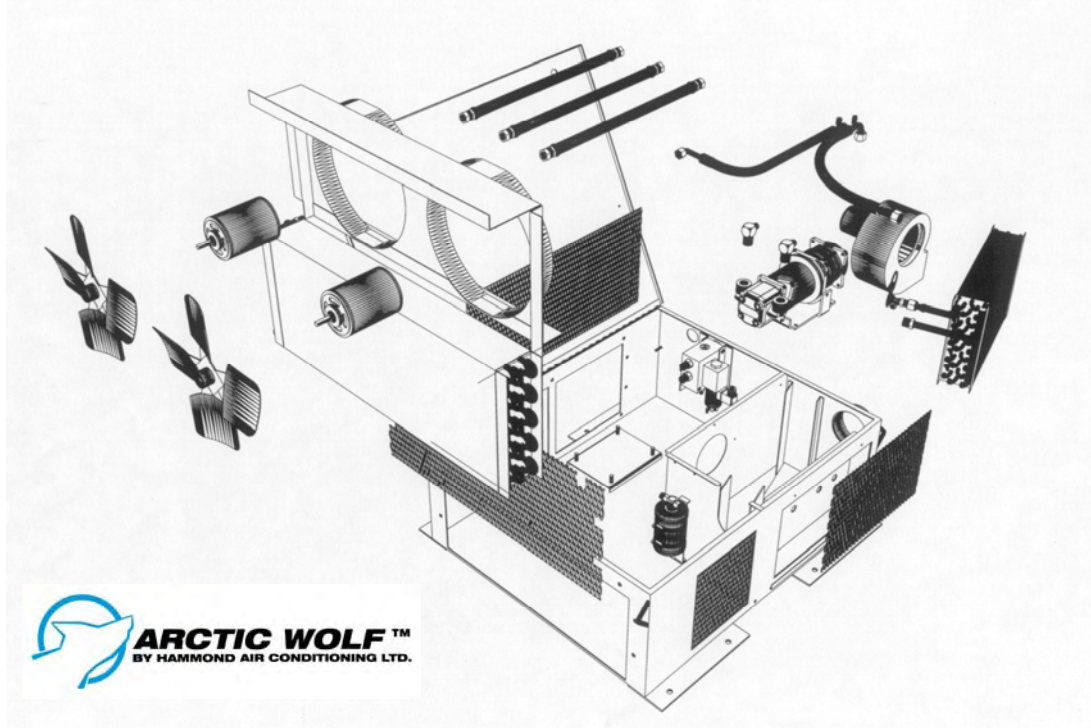


Shown with remote mount controls.

H-8500 SPECIFICATIONS

BTU'S:	Cooling – 15,200 BTU/Hr with 36oF (3,840 kcal/h with 2.2oC) refrigerant tem. and 80oF (26.7oC) wet bulb entering air
Air Flow:	205 CFM (348 m3/h)
Weight:	44 lbs. (20kg)
Motor:	Three-speed field wound.
Current Draw:	13.5 amps @ 13.6 VDC (includes 4 amps A/C clutch) 6.75 amps @ 27.2 VDC (includes 2 amps for A/C clutch)
Models:	H8500-12V (12VDC) A/C only H8500 (24 VDC) A/C only

SELF CONTAINED HYDRAULIC AC



HA-1500

Self contained Heavy Duty A/C Unit for Mobile Equipment.

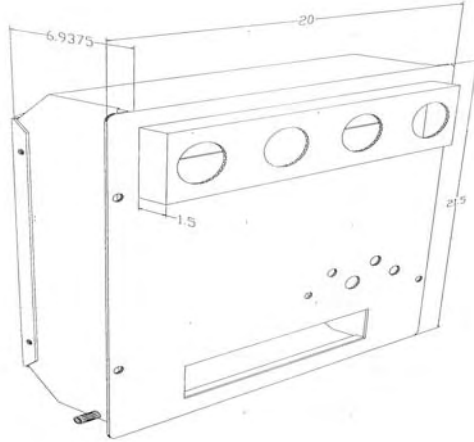
Ideal for Applications such as Mining, Railroad and Industrial Cranes

BTU Output; -----	20,000
CFM (at outlet) -----	250
Physical size -----	33" x 28" x 12"
Weight -----	Approx. 220 lbs
Shell construction -----	Available in mild steel or stainless.
Outlet air plenum -----	4" round.
Re-circulation air plenum -----	4" round.

Requirements;

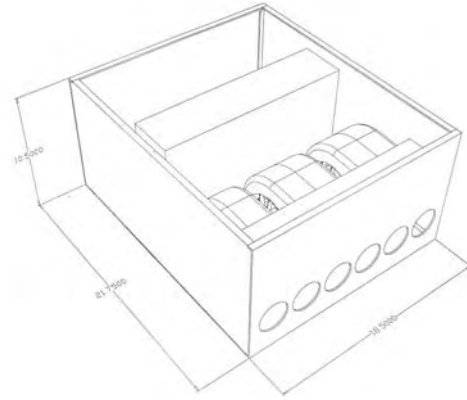
Hydraulic -----	8 gallons per minute @ 500 psi
Voltage -----	Available with 12V or 24V

MARINE A/C SYSTEM



901-000

BTU (Cooling) 24,000
BTU (Heating) 30,000
CFM (@ 0 static pressure) 600
Size 6.9375" D x 20" W x 21.5" H



901-001LG

BTU (Cooling) 31,000
BTU (Heating) 34,000
CFM (@ 0 static pressure) 900
Size 10.5" D x 18.5" W x 21.75" H

Hammond Air Conditioning is pleased to announce the introduction of Arctic Wolf™ Air conditioning and heating units for small and medium size craft. After designing factory-style air-conditioning systems for twenty years on over 600 different types of heavy construction equipment, Hammond Air Conditioning has designed and built its Arctic Wolf™ air conditioning systems for various types of small patrol boats used by the US Navy. After being approached by just one boat builder in 2002, Hammond Air Conditioning is now working with many boat builders all across North America. The Navy is requesting the Arctic Wolf™ air conditioning system for more of their small boats as they are being designed or retrofitted. The 901-000 heater / evaporator set up is ideally suited for smaller 4 person cabins. Tour boat pilot houses, Harbor pilots, mini tugs, and police and rescue boats are just some examples of the different applications that this system can be used on. The system is available in various configurations. It can be mounted horizontally, vertically or on its side. It is available in 12 or 24 volt DC and can be set up as a free blow system or ducted to each crew station. The newly designed 901-000LG evaporator is set up for larger cabin enclosures designed for 6-10 people with the same configuration options as the original version. With the installation of a higher capacity condenser coil and compressor, these systems can be set up with dual evaporators to cool forward and aft cabins. By powering the A/C directly from the engines, the design eliminates the need for a separate generator set, fuel lines and wiring as would be the case with a standard electric rooftop unit. The unique spiral-designed, water cooled, marine condenser delivers all the needed capacity. Located in the engine compartment it draws the water in, runs it around the condenser and then expels it, operating in both fresh and saltwater conditions. Inside the aluminum evaporator box are scroll type blower fans. This new HVAC system draws only 5hp from the engines, saves considerable weight and space compared to 120 VAC electrically driven systems.

Both units are also available with an independent 12 or 24 Volt water pump for the condenser if using the engines raw water supply is not practical.

MARINE / RV ROOFTOP AC



Refrigerant:	R134a	Power:	12V
Power Usage (MAX):	44 Amps/hr	Power Usage (AVG):	285 watts
Size:	28.5 x 41 x 14	(based on 60% duty cycle)	
Opening Dimensions:	14" x 14"	Weight:	104 lbs
CFM:	450	BTU:	12000

Welcome to the next generation of marine and RV air conditioning from Hammond Air Conditioning Ltd. With more work and pleasure boats being built with outboard engines and nowhere to mount a conventional compressor, Hammond Air Conditioning Ltd. has designed a new self contained 12 or 24 volt rooftop air conditioning system. The rugged ARCTIC WAVE 12000 system is virtually maintenance free and comes pre-charged with R134a refrigerant. The aluminum construction and tough polyethylene shell is made to resist corrosion and provide a long life. The system draws 31 amps at 13.6 volts DC and supplies 12000 BTU of cooling. While originally designed for the marine market, this product is also ideally suited for the RV industry as well. The integrated low voltage cut out switch and low power consumption means hours of cooling without fear of draining the batteries.

PART#	DESCRIPTION
K ROOFTOP 12V	12V DC powered self contained rooftop AC
K ROOFTOP 24V	24V DC powered self contained rooftop AC
401-900	Replacement cover

ARCTIC BREEZE TRUCK AC



Refrigerant.....R-134a
Power usage (max).....600 watts/hr
Minimum Alternator.....180 amp
Dimensions – Evap.....9.5”H x9.5”W x11”D
Cooling output.....8000 BTU/hr
Frame space required (std).....27 ¼”

Power12V
Power usage (avg.).....350 watts/hr
Dimensions – Cond.....25”Wx 14.5”Hx13”
Air Flow.....230 CFM
Cond Weight.....128 lbs (58 kg)
Frame space required (opt)..16”

THE NO-IDLE SYSTEM TO HELP YOU SAVE MONEY AND STAY COOL

The condenser/compressor box is made out of 1/8” aluminum and can be mounted directly behind the cab or hung off the frame rails with the brackets provided. The standard set-up requires 27 ¼” of frame rail space and extends 19 ½” from the frame. An optional space saving design utilizes 16” of frame rail space and extends 26 ½” out from the frame. It features a removable lid for easy access to all the components. The condensers utilize 2 condenser fans to better dissipate the heat, and the evaporator assembly incorporates a highly efficient blower to provide more air circulation in the cab/sleeper.

The evaporator can be mounted on a shelf, directly on the back wall of the cab, or in a storage compartment. (sleeper applications)

HA-12VDC-SD: - Standard unit, Single evap (AC only)
HA-12VDC-SDH: - Standard unit, Single evap (AC/Heat)
HA-12VDC-DD: - Deluxe unit, Dual evap (AC only)

HA-12VDC-SDDC: - Standard unit, Day cab (AC only)
HA-12VDC-SDDCH: - Standard unit, Day cab (AC/ Heat)
HA-1200-2 - Battery box w/brackets
(hold 2 group 31 batteries)

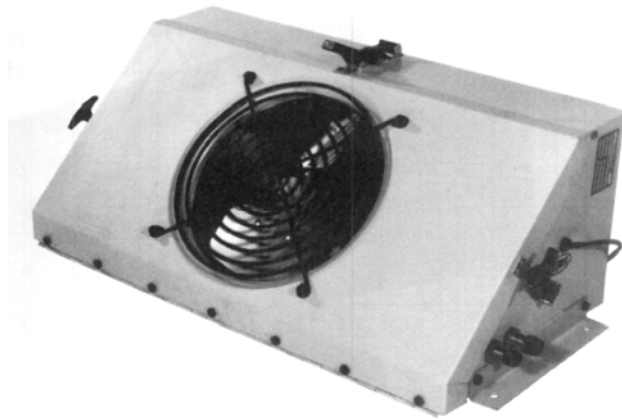
HA-1210 - Winter condenser cover



KYSOR**Table of contents – Units section**

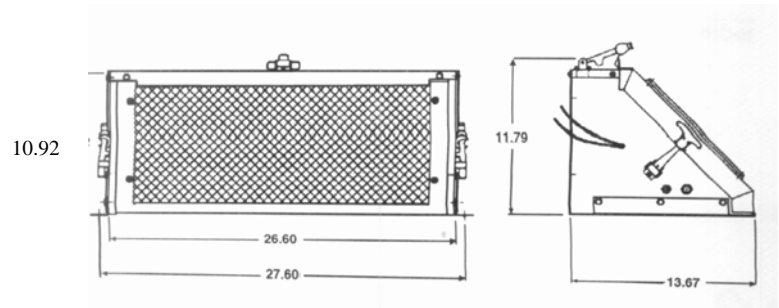
	Page
KC 500 Condenser	226
Super Air Condenser	227
KC110 Condenser	228
KC-1000 Condenser	228
HD-1000	229
KA-200 Headliner	230
Slimline Headliner Kombo	231
KA-700 Sidekick	232
KA-7100 Headliner Evaporator	233
KA-7300 Headliner	234
Ford “L” Kombo	235
Hardhat Headliner Evaporator	236
Slimline Kombo Evaporator	237
Backpak Combo	238
KH-150 Heater	239
KH-200 Heater	240
KH-300 Heater	241
KH-900 Heater	242
HP-1000 Heater Pressurizer	243

KC-500 CONDENSER



942-077

- 12 VDC
- Rust-Resistant finish
- Mount horizontal or vertical
- High capacity receiver drier
- Lightweight yet durable
- Quick release latches for easy maintenance

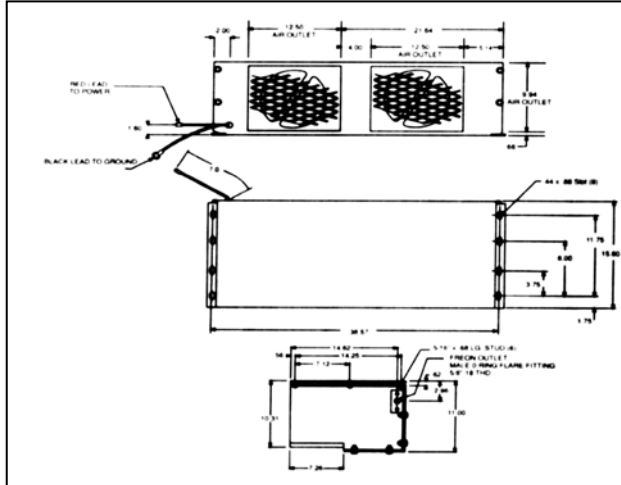


942-077

TECHNICAL SPECIFICATIONS

Performance:	27,500 BTU/Hr
Air Flow:	740 SCFM
Max. Power required:	6.3 amps @ 28.3 VDC
Weight:	42 lbs.

SUPER AIR CONDENSER



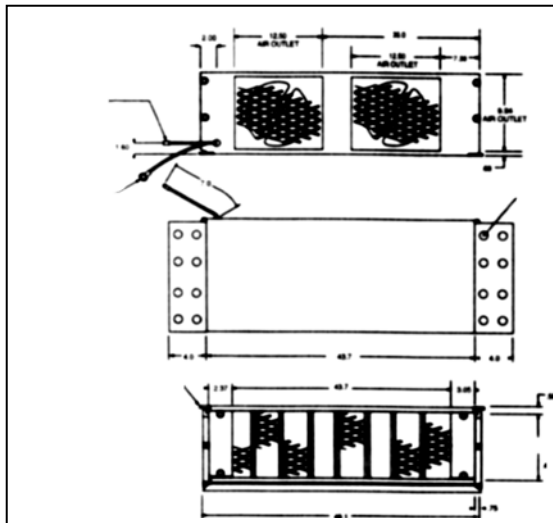
Technical Specifications:

Performance 45,000 BTU/Hr Cooling
Air Flow: 1,180 SCFM
Max. Power Required:
25 amps @ 14V.
12.5 amps @ 28V.
Weight: 90 lbs

How to order:

	Part #
KC-1000 Condenser w/Receiver Drier	
12 volt	942-042
Bracket & grill kit	417-126

SUPER AIR "PLUS" CONDENSER



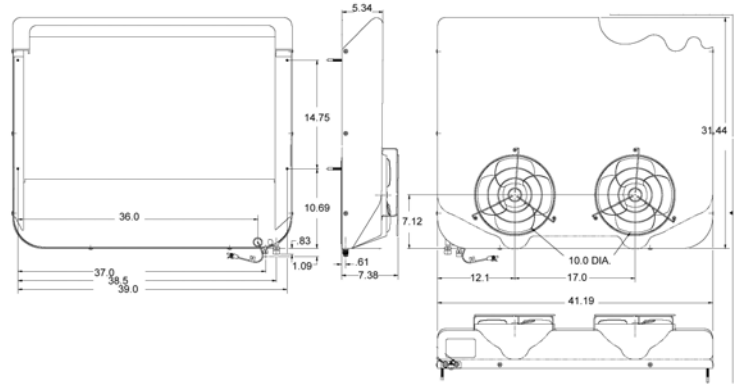
Technical Specifications:

Performance 60,000 BTU/Hr Cooling
Air Flow: 1,431 SCFM
Max. Power Required:
26 amps @ 14V.
16 amps @ 28V.
13 amps @ 28V.
Weight: 115 lbs

How to order:

	Part #
KC-1000 Condenser w/Receiver Drier	
12 volt	942-046

KC110 CONDENSER

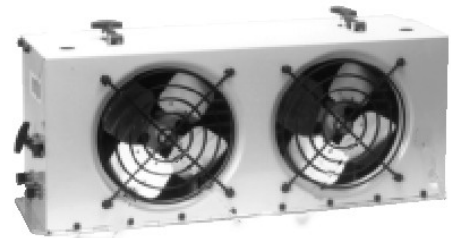


KC-110 Technical Specifications:

Performance:	45,000 BTU/hr.	
Air Flow:	1250 SCFM	
Max.Power Required:	20 amps @ 12 Volts D.C.10 amps @ 24 Volts D.C.	
Weight	65 lbs.	
HOW TO ORDER:	Part #	System Power Requirement
KC-110	942-008	12 Volts D.C
KC-110	942-010	24 Volts D.C

KC-1000 CONDENSER

This powerful heavy-duty condenser is a high-capacity unit built to handle those rugged conditions encountered by any off-highway vehicle. It's capable of handling one or two evaporators totaling 30,000 BTU/hr. if necessary. It features a 14-ga.Paint-Loc heavy-duty steel case, long life permanent magnet motors (minimum 10,000 hours), a tube and fin coil, 10-inch fans, and a high-performance receiver dryer. Soft refrigerant lines are used for added durability under extreme stress. Its rubber draw latches provide easy access to service internal components.



KC-1000 Technical Specifications:

Performance:	45,000 BTU/hr.	
Air Flow:	1,600 SCFM	
Max.Power Required:	25 amps @ 14 Volts D.C.12.5 amps @ 28 Volts D.C.	
Weight	84 lbs.	
HOW TO ORDER:		
KC-1000 Condenser w/Receiver Dryer:	Part #	System Power Requirement
12V	942-062	12 Volts D.C
24V	942-078	24 Volts D.C

DESCRIPTION	PART#	QTY
Condenser motor 12V	415-562-8	2
Condenser motor 24V	415-564-8	2
Fan Blade	416-562	2
Receiver Drier	523-020-9	1

HD-1000

HEAVY DUTY ROOFTOP AIR CONDITIONER

The HD-1000 Rooftop air conditioner is the ideal choice for severe operating conditions where a heavy-duty unit is required.

Redesigned with an optional side mount fresh air filter, the HD-1000 air conditioner doubles as a cab pressurizer. An optional recirculation filter kit also available. Sealed ball bearing motors, heavy gauge steel construction, and plenty of Kysor performance guarantee a rooftop unit built to last.

HD-1000 A/C Technical Specifications:

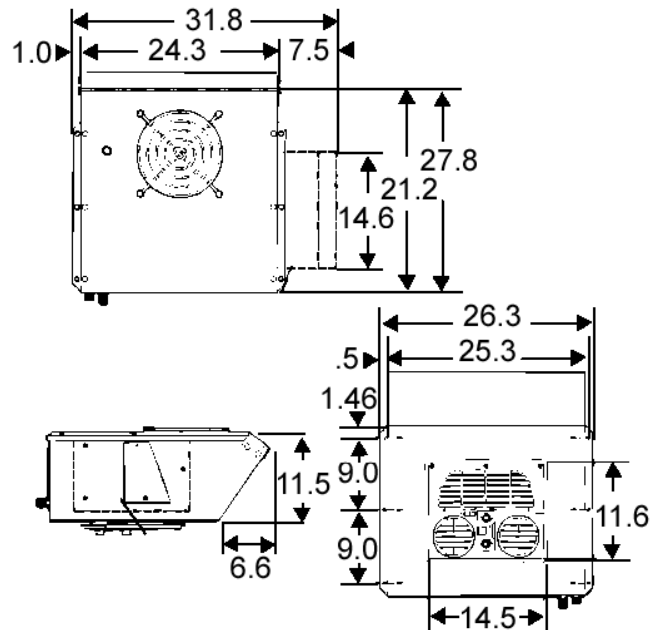
Performance:	17,000 BTU/hr.(IMACA 200)	
Air Flow:	264 SCFM	
Max. Power Required:	22 amps @ 12 Volts 11 amps @ 24 Volts	
Weight w/o filter:	85 lbs.	
HOW TO ORDER	Part #	System Power Requirement
HD-1000 A/C	938-127	12 Volts D.C.
HD-1000 A/C	938-128	24 Volts D.C.



HD-1000 Kombo Technical Specifications:

	Cooling	Heating
Performance:	14,000 BTU/hr.(IMAC A 200)	28,800 BTU/hr. (SAE)
Air Flow:	257 SCFM	252 SCFM
Max. Power Required:	12 amps @ 12 Volts 10.5 amps @ 24 Volts	12 amps @ 12 Volts 6 amps @ 24 Volts
Weight w/o filter:	85 lbs	85 lbs
HOW TO ORDER	Part No.	System Power Requirement
HD-1000 Kombo	934-159	12 Volts D.C.
HD-1000 Kombo	934-160	24 Volts D.C.

FRESH AIR FILTER	435-081-8
------------------	------------------

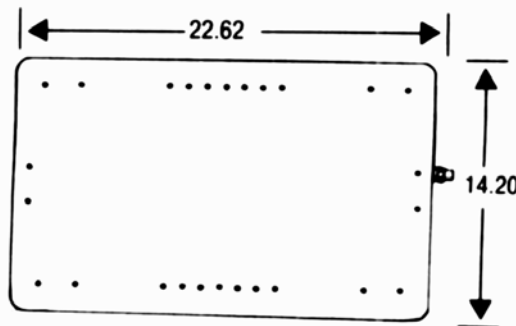
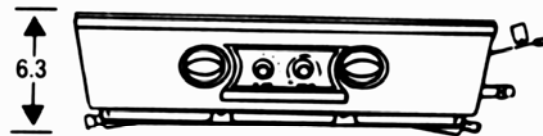
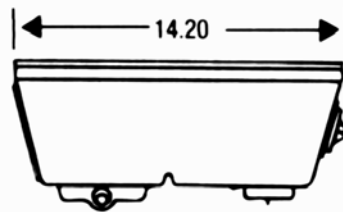
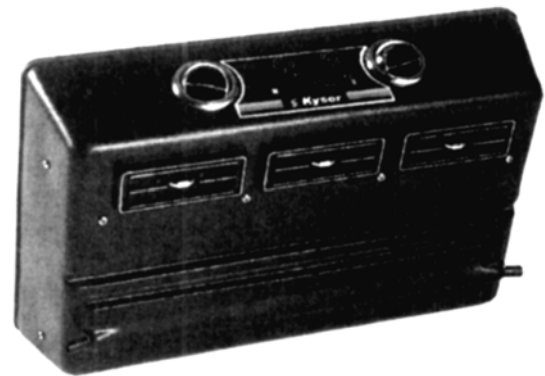


KA-200 HEADLINER

In-Cab Ceiling-Mounted Air Conditioning System for Heavy-Duty Truck Applications

The KA-200 is a compact ceiling mount air conditioner for heavy-duty on-highway applications. This low profile unit mounts up and out of the way allowing the operator plenty of headroom. A welded steel base construction and impact resistant plastic cover, along with plenty of performance, insure a comfortable environment.

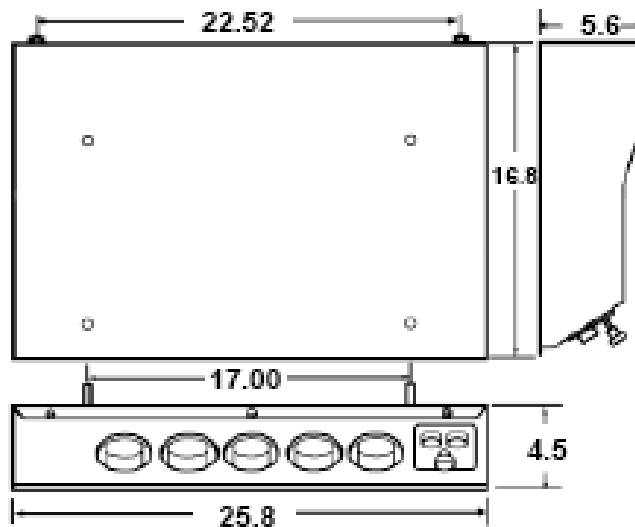
KA-200 Technical Specifications:		
Performance:	15,000 BTU/hr. (IMACA 200)	
Air Flow:	265 SCFM	
Max. Power Required:	12 amps @ 12 Volts D.C. 6 amps @ 24 Volts D.C.	
HOW TO ORDER:		
	Part #	System Power Requirement
KA-200, Headliner	938-068	12 Volts D.C.
KA-200, Headliner	938-069	24 Volts D.C.



SLIMLINE HEADLINER KOMBO

This ceiling mount unit provides heating and cooling capabilities to any vehicle's cab. The low profile unit mounts up and out of the way of the operator, providing more leg and elbow room. This unit is available with or without an optional air filter. Available in 12V or 24V models.

Slimline Headliner Kombo Technical Specifications:	
Performance:	
Heating:	23,600 BTU/hr (SAE)
Cooling:	13,200 BTU/hr (IMACA 200)
Air Flow:	250 SCFM
Max. Power Required:	9 amps @ 14 VDC
Weight	26 lbs
HOW TO ORDER:	
Headliner Kombo:	Part #
12 Volt	934-153
24 Volt	CALL
AC Only Model:	
12 Volt	CALL
24 Volt	CALL

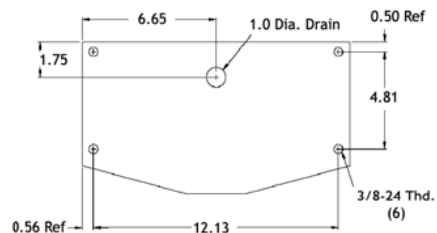
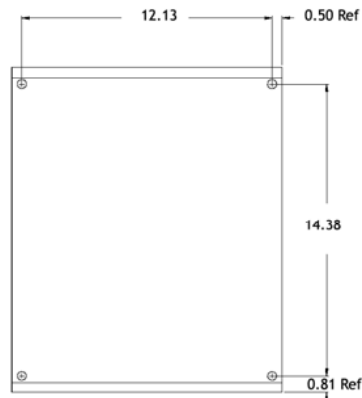
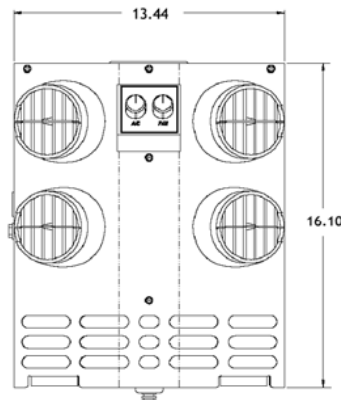
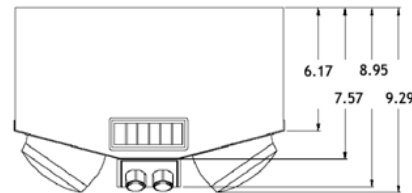
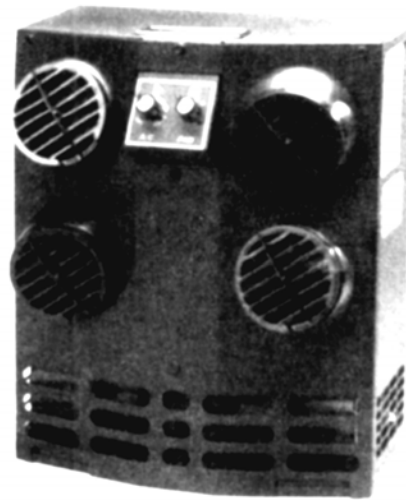


KA-700 SIDEKICK

The KA-700 Sidekick is the fleet standard for heavy-duty air conditioning. Features include welded steel construction, 360° adjustable air outlets, easy to reach controls and an extended life permanent magnet motor. The KA-700 easily mounts between the seats and to the back wall of most conventional cabs. Years of proven reliable performance, along with new universal installation kits, make the KA-700 the only choice for true heavy-duty applications.

*Newly redesigned to be even more versatile without sacrificing performance and reliability.

KA-700 Technical Specifications:		
Performance:	17,500 BTU/hr (IMACA 200)	
Air Flow:	285 SCFM	
Max. Power Required	12 amps @ 12 Volts D.C. 6 amps @ 24 Volts D.C.	
Weight:	29 lbs	
HOW TO ORDER:	Part #	System Power Requirement
KA-700, SideKick	938-145	12 Volts D.C.
KA-700, SideKick	938-144	24 Volts D.C.

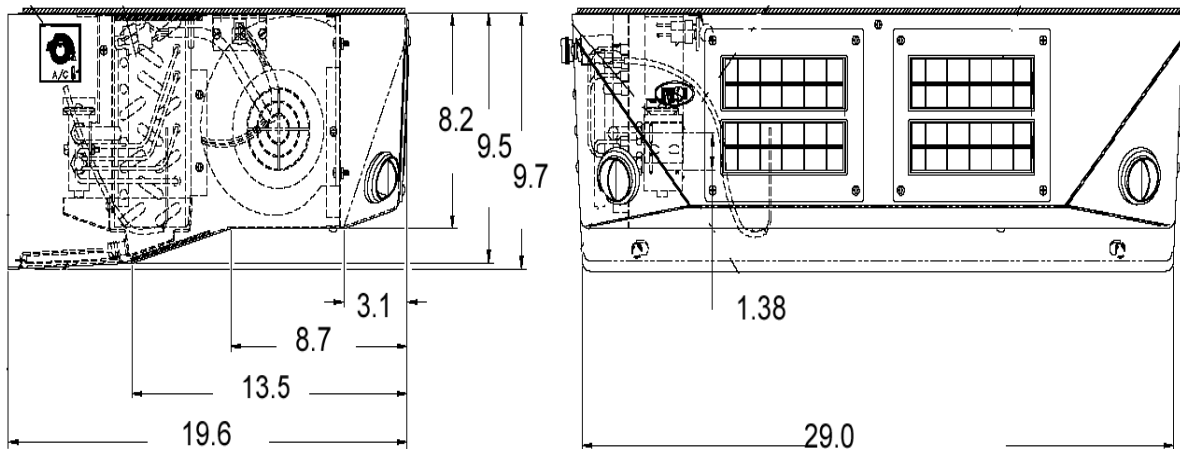
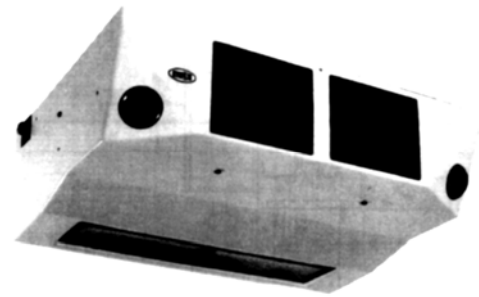


KA-7100 HEADLINER EVAPORATOR

Headliner Air Conditioner for Mini buses, Shuttle Buses and Step Vans

The KA-7100 Headliner Air Conditioner is designed for mini school buses, shuttle buses, and step vans. Passenger comfort is top priority with one high efficiency blower assembly designed for maximum air flow and quiet operation. The highest BTU system available promises quick temperature pull down and maximum cooling. The removal of two screws allows for easy cleaning or replacement of the air recirculation filter.

KA-7100 Technical Specifications:	
	COOLING
Performance:	35,340 BTU/hr (IMACA 200)
Air Flow:	550 SCFM
Max. Power Required:	15.2 amps @ 14 Volts
Weight:	35 lbs.
HOW TO ORDER:	Part #.
KA-7100 Headliner (12V)	938-148



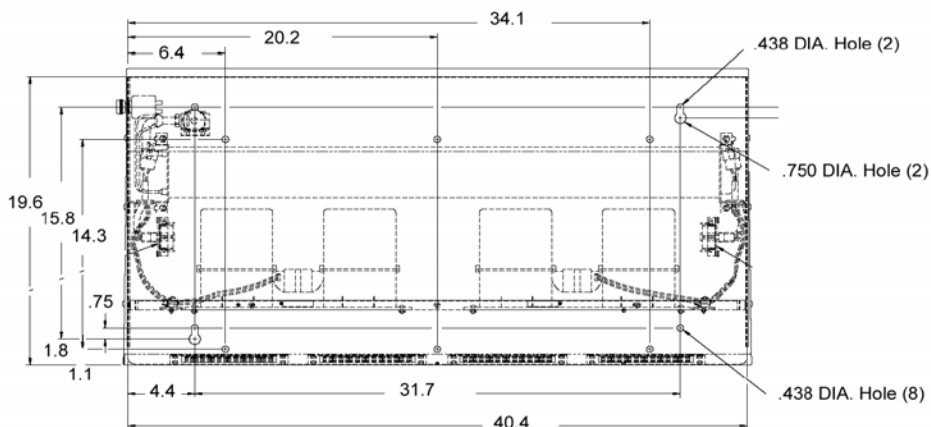
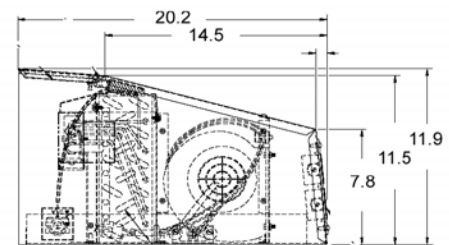
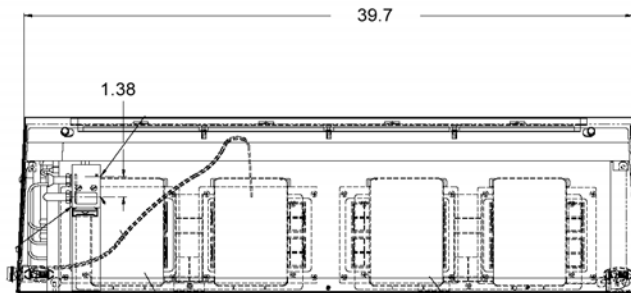
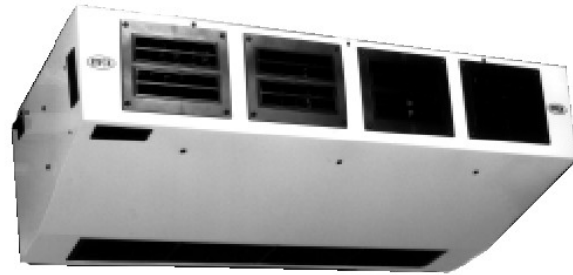
KA-7300

Headliner Air Conditioner for Large School Buses, Shuttle Buses and the largest On- or Off-Highway Cabs

The KA-7300 Headliner Air Conditioner is designed for large school buses, shuttle buses, and the largest of cabs. Passenger comfort is top priority. With two blower assemblies designed for maximum air flow and quiet operation. The highest BTU system available promises quick temperature pull down and maximum cooling. The removal of three screws allows for easy cleaning or replacement of the air recirculation filter.

KA-7300 Technical Specifications:

KA-7300 Technical Specifications:	
	COOLING
Performance:	54,000 BTU/hr (IMACA 200)
Air Flow:	936 SCFM
Max. Power Required:	30.0 amps @ 14 Volts
	15 amps @ 28 Volts
Weight:	68 lbs
HOW TO ORDER:	Part #
KA7300 12V	938-150

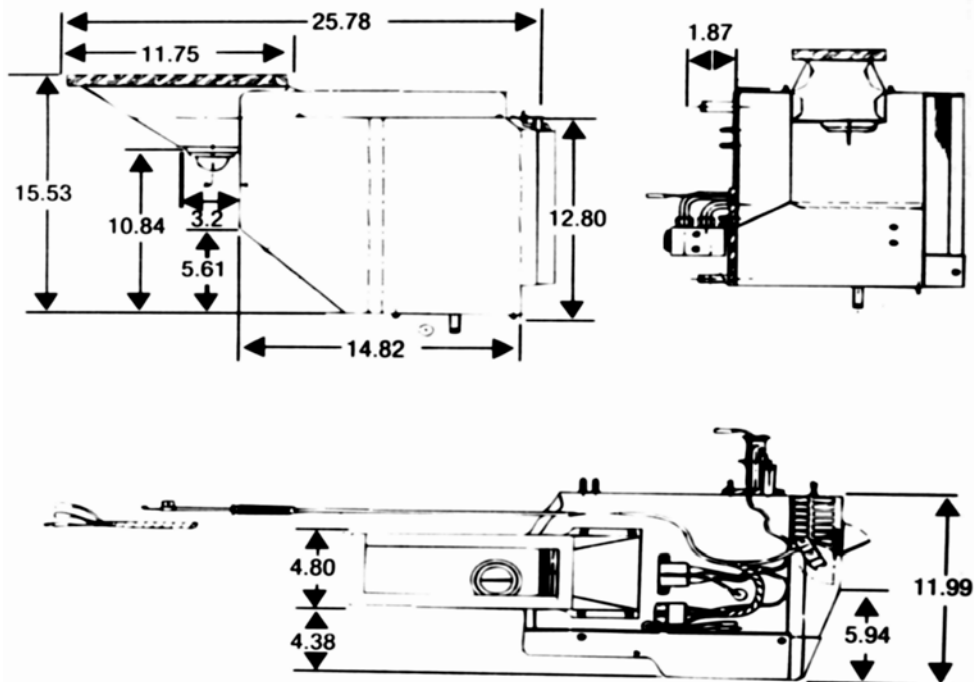
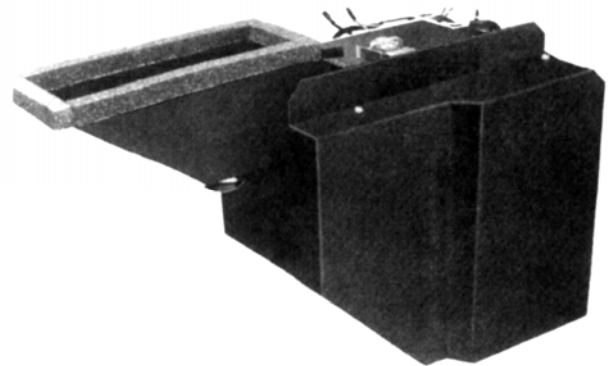


FORD "L" KOMBO

In-Dash Heating & Air Conditioning System For Ford Medium & Heavy-Duty Conventionals

The Ford "L" Kombo mounts under the dash for a custom factory look. A heavy-duty tube and fin coil, along with an adjustable floor outlet, are just some of the quality features. Packed with plenty of Kysor performance, the Ford "L" Kombo will satisfy the most discriminating fleet's heating and A/C requirements.

Technical Specifications	
Performance	19,600 BTU/hr Cooling (IMACA 200) 31,750 BTU/hr. Heating (SAE)
Air Flow:	350 SCFM
Current Draw	19.7 amps max power required
Weight	34 lbs
HOW TO ORDER	PART #
Year 1987-1990	934-111



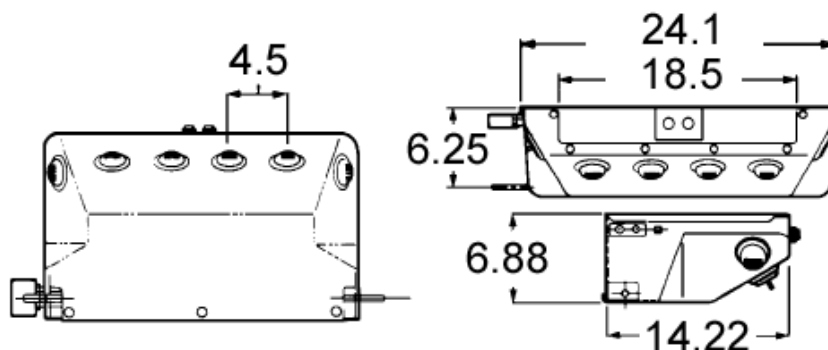
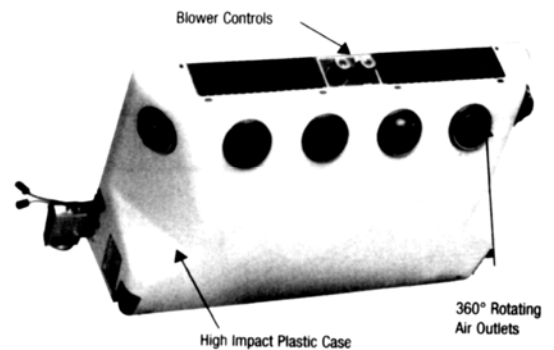
HARDHAT HEADLINER EVAPORATOR

Feature Ball Bearing, Sealed Motor for
 Longer Life and Smoother Operation

The Hardhat Headliner Air Conditioner is designed for cabs in which operator comfort has top priority and where other air conditioners cannot be used because of space or height limitations. The compact size provides maximum adaptability for a custom appearance. A sealed, ball bearing motor is used for long life and smooth operation in hot, humid conditions. High temperature resistant plastic blower wheels provide quiet operation and maximum air flow. Drain hoses extend through the sides of the case for direct routing outside.

Hardhat Headliner Evaporator Specifications:

Performance:	21,000 BTU/hr.(IMACA 200)
Air Flow:	305 SCFM
Max. Power Required:	13.3 amps @ 14 Volts 7.2 amps @ 28 Volts
Weight:	35 lbs
HOW TO ORDER	Part #
In-Cab Hardhat Headliner	
12 Volt	938-134
24 Volt	938-135



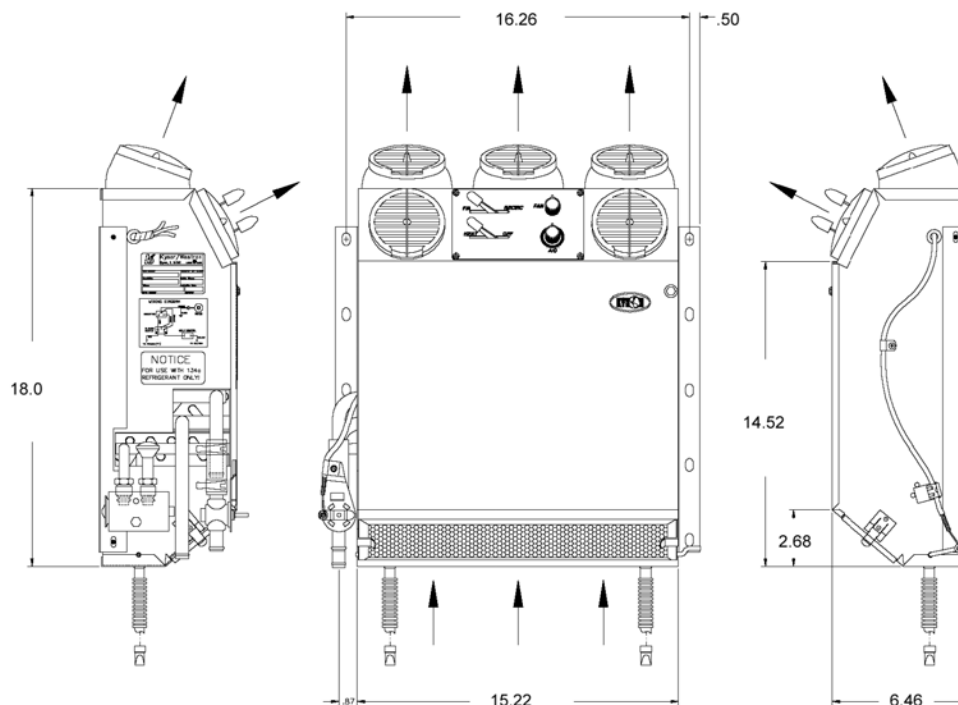
SLIMLINE KOMBO/EVAPORATOR

Heater / Air Conditioner

Slimline Kombo/Evaporator Technical Specifications:		
Performance	Kombo	A/C Only
Heating:	31,000 BTU/hr.(SAE)	
Cooling:	14,000 BTU/hr.(IMAC A 200)	15,500 (IMACA 200)
Air Flow:	300 SCFM (heating)275 SCFM(cooling)	325 SCFM
Max. Power Required:	11.7 amps @ 14 Volts D.C.	
Weight:	37 lbs	34 lbs
HOW TO ORDER	Part No.	A/C Only
12 Volt	934-171	938-171
24 Volt	934-172	938-172



- Positive shut off door for fresh or recirculated air
- Cleanable filter
- Designed for ease of serviceability
- Highest output available in its size
- Ideal when space is a minimum



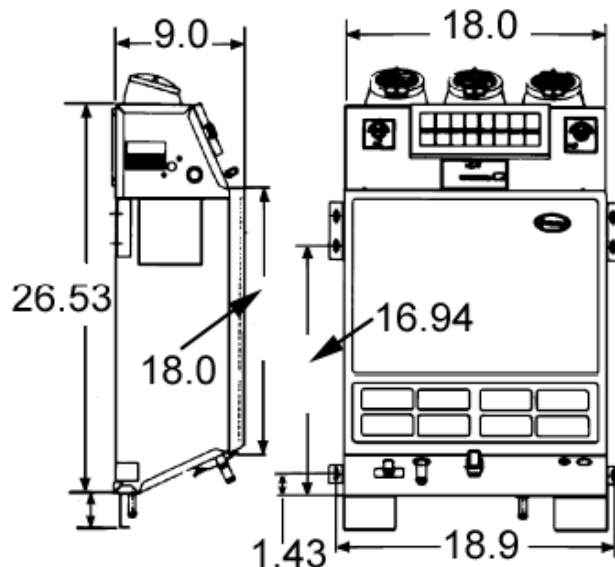
BACKPAK KOMBO

FEATURES KY VALVE HEATER CONTROL VALVE AND LONG LIFE BALL BEARING MOTOR

The BackPak Kombo, utilizing a dual blower for greater air flow, heats and cools all types of construction, industrial and mining vehicle cabs, and over the road vehicles such as money haulers, delivery vans, ambulances. It is built to last with a heavy gauge steel case, durable fin and tube evaporator and heater coils. The three air flow louvers and operating controls are located for ease of operation. A balanced, quiet, heavy-duty motor means years of trouble-free operation. The BackPak Kombo unit mounts easily to the inside cab wall and blends with vehicle interiors.

BackPak Kombo Technical Specifications:

	Heating	Cooling
Performance:	44,200 BTU/hr (SAE)	23,800 BTU/hr (IMACA 200)
Air Flow:	375 SCFM	326 SCFM
Max. Power Required:	12 amps @ 14 VDC	12 amps @ 14 VDC amps @ 28 VDC
Weight:	70 lbs	
HOW TO ORDER		
		Part #
12 Volt		934-169
24 Volt		934-170

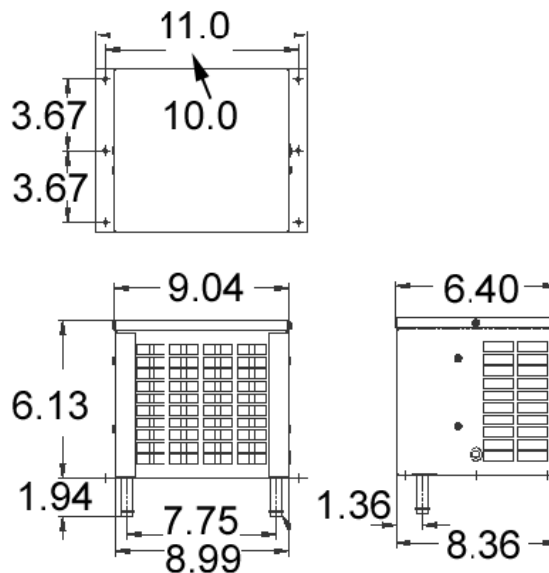


KH 150 HEATERS

The KH-150 is a compact floor mount heater with two speed motor that is totally enclosed within the heater. It is ideal as a foot heater for school buses and off highway equipment or anywhere heat is needed.

KH-150 TECHNICAL SPECIFICATIONS:

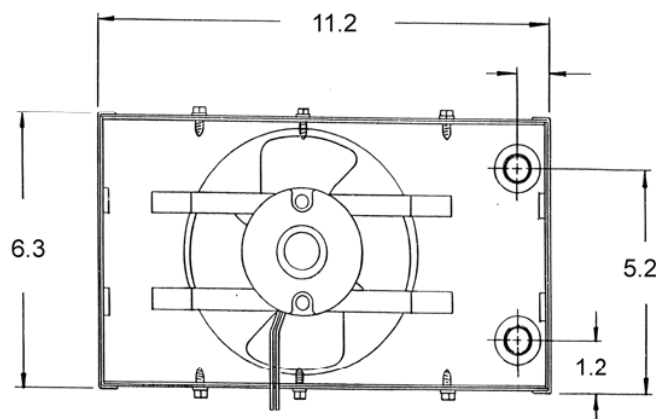
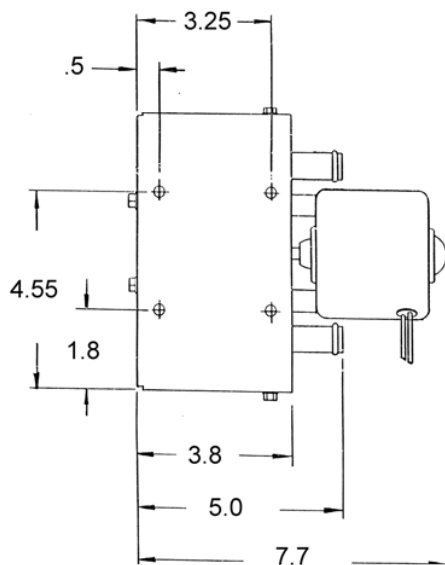
Performance:	15,400 BTU/hr
(Per S.A.E.)	@ 180°F
Air Flow:	140 SCFM
Max. Power Required:	3.6 AMPS @ 13.8V
Height:	8.1 inches
Width:	9.0 inches
Depth:	8.4 inches
Weight:	9.8 lbs.
HOW TO ORDER:	Part #
Heater: 12 Volt	936-094



KH-200 HEATER

The KH-200 is a powerful, compact supplementary heater designed to mount in a variety of positions-flush into a wall, hung from the ceiling, on or elevated off the floor. The high fin density core with aluminum tubes combine with a high-volume curved fan blade to produce 30% greater BTU performance than competitive units. The black wrinkle, heavy-duty case and reinforced heavy-gauge mounting plate from the blower assembly can withstand even the most rugged operating environments.

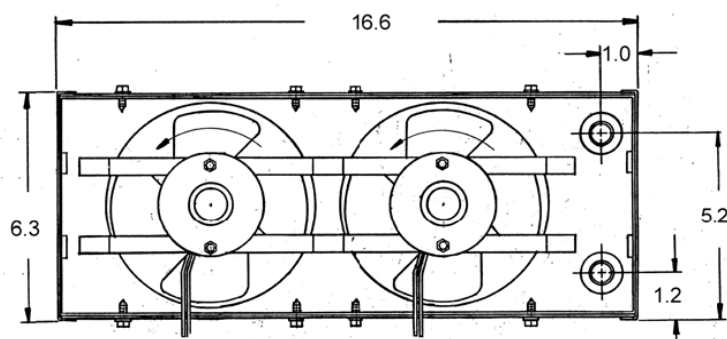
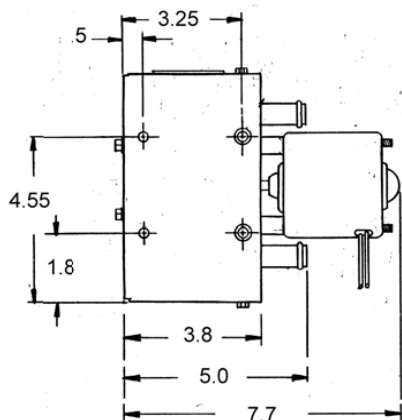
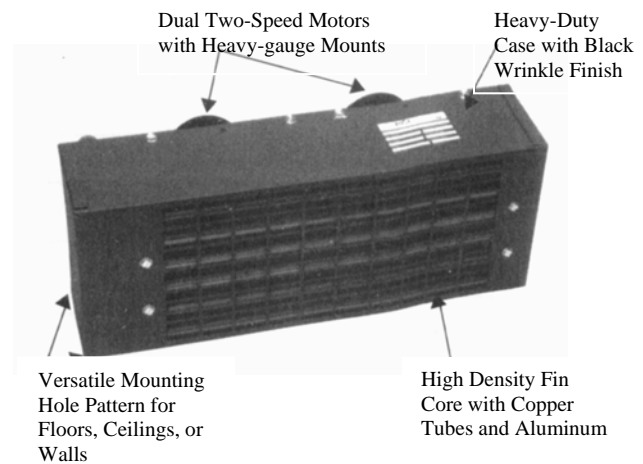
KH-200 Technical Specifications:	
Performance:	15,000 BTU/hr
(Per SAE)	@ 180° F Δ T
Air Flow:	115 SCFM
Max.Power Required:	2.5 amps @ 12 V 1.3 amps @ 24 V
Height:	6.3 inches
Width:	11.2 inches
Depth:	7.7 inches
Weight:	9 lbs.
HOW TO ORDER:	Part #
Heater (rear outlets):	
12 Volt	936-104
24 Volt	936-111



KH-300 HEATER

The KH-300 is a powerful, compact supplementary heater designed to mount in a variety of positions—flush into a wall, hung from the ceiling, on or elevated off the floor. The high Fin density core with aluminum tubes combine with a high-volume curved fan blade to produce 30% greater BTU performance than competitive units. The black wrinkle, heavy-duty case and reinforced heavy-gauge mounting plate from the blower assembly can withstand even the most rugged operating environments.

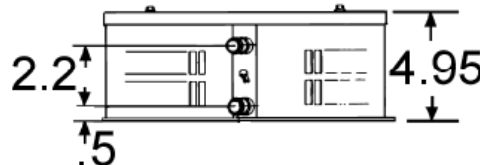
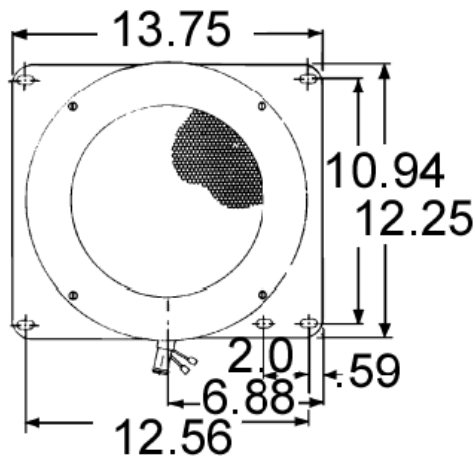
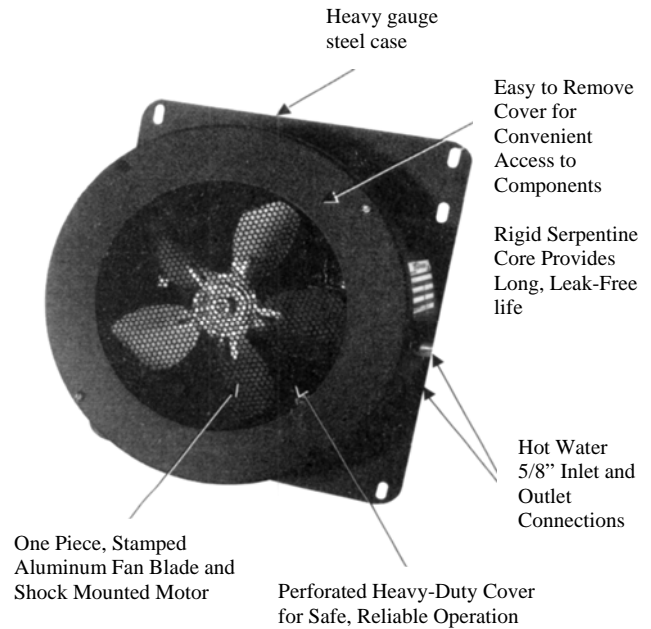
KH-300 Technical Specifications:	
Performance:	25,500 BTU/hr
(Per SAE)	@ 180° F Δ T
Air Flow:	115 SCFM
Max. Power Required:	6.5 amps @ 12 V. 3.3 amps @ 24 V.
Height:	6.3 inches
Width:	16.6 inches
Depth:	7.7 inches
Weight:	14 lbs
HOW TO ORDER:	Part #
Heater:	
12 Volt	936-121
24 Volt	936-122



KH-900 HEATER

One of Kysor's longest established heater products, the KH-900 fulfills the need for auxiliary heating in a variety of applications. With the choices of face or side heat discharge, the KH-900 can be mounted practically anywhere-ceiling, floor, firewall, side wall, front or rear panels or bulkheads. Anywhere that reliable, high performance is required from a stylish, compact heavy-duty design; the KH-900 will turn your vehicle's cold spots into zones of warm comfort.

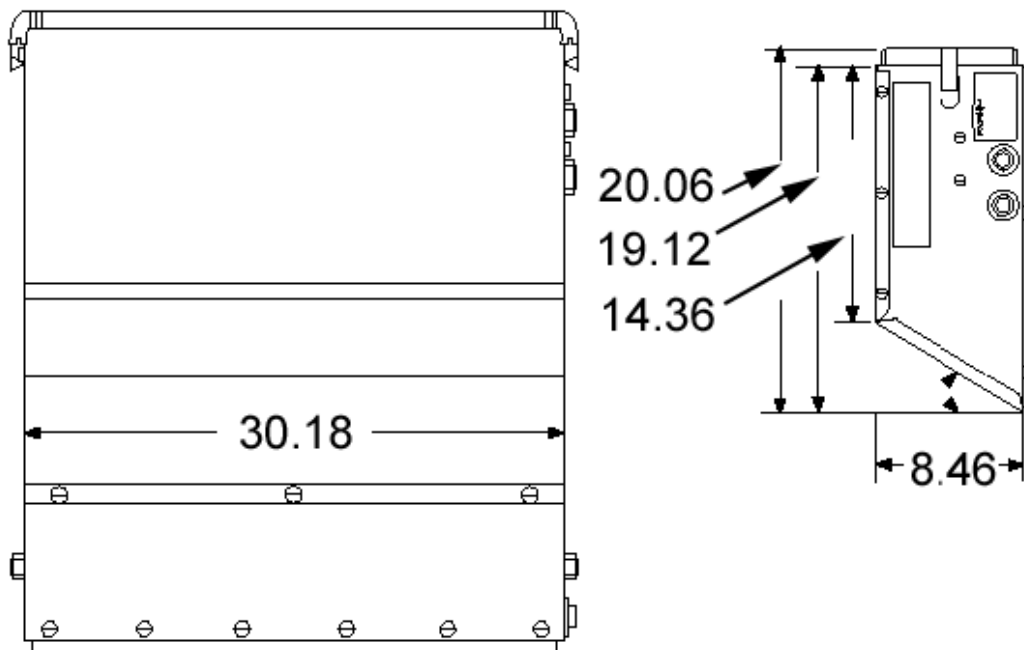
KH-900 Technical Specifications:		
	Side Blow	Face Blow
Performance (per SAE)	30,000 BTU/hr @ 180° F Δ T	25,000 BTU/hr @ 180° F Δ T
Air Flow	325 SCFM	250 SCFM
Max. Power Required	3.6 amps @ 12 V 1.8 amps @ 24 V	3.6 amps @ 12 V 1.8 amps @ 24 V
Height:	12.25"	12.25"
Width:	13.75"	13.75"
Depth:	5.13"	5.13"
Weight:	11.25"	11.25"
HOW TO ORDER	Part #	Part #
KH900 12V	936-055	936-213
KH900 24V	936-229	936-228
Control switch kit		
12V	416-109	416-109
24V	416-110	416-110
*New Control Switch		417-084
*To be used with 936-055,936-213,936-229, 936-228		



HP-1000 HEATER PRESSURIZER

This heater/pressurizer and air filter has almost unlimited applications where any of these functions are required. The control panel includes four directional louvers, a three-speed blower switch, and a push-pull hot water control valve. Quick release latches are in place for easy filter cleaning or replacing.

HP-1000 Technical Specifications:	
Performance:	44,000 BTU/hr (SAE)
Air Flow:	410 SCFM
Max. Power Required:	14 amps @ 12 VDC 7 amps @ 24 VDC
Weight	56 lbs
HOW TO ORDER:	
Heater/Pressurizer	Part #
12 Volt Unit	936-191
24 Volt Unit	936-202





PART NUMBER CROSS REFERENCE

AEROQUIP #	ARCTIC WOLF #
1F40104-06C	635-C381
1F40104-08C	635-C382
1F40104-10C	635-C383
1F40104-12C	635-C384
1F40105-06C	635-C391
1F40105-08C	635-C392
1F40105-10C	635-C393
1F40105-12C	635-C394
1F40106-06	635-06
1F40106-08	635-08
1F40106-10	635-10
1F40106-12	635-12
42-05-100	635-C002
F3066-060808S	635-C106
FF12262-0606	635-C0606
FF12262-0608	635-C0608
FF12262-0808	635-C0808
FF12262-0810	635-C0810
FF12262-1010	635-C1010
FF12262-1012	635-C1012
FF12262-1212	635-C1212
FF90193-01	635-101
FF90193-02	635-102
FJ3012-01-1012S	635-C327-3
FJ3012-02-1010S	635-C323-3
FJ3013-02-0606S	635-C321-3
FJ3013-03-0808S	635-C322-3
FJ3019-01-1012S	635-C427
FJ3019-02-0608S	635-C425
FJ3019-03-0606S	635-C421
FJ3019-04-0808S	635-C422
FJ3019-05-1212S	635-C424
FJ3019-06-0810S	635-C426
FJ3019-07-1010S	635-C423
FJ3026-0606S	635-C408
FJ3026-0808S	635-C409
FJ3026-1010S	635-C410
FJ3045-0606S	635-C104
FJ3045-0808S	635-C105
FJ3045-1008S	635-C112
FJ3045-1010S	635-C109
FJ3045-1212S	635-C107

AEROQUIP #	ARCTIC WOLF #
FJ3052-0606S	635-C401
FJ3052-0608S	635-C405
FJ3052-0808S	635-C402
FJ3052-1010S	635-C403
FJ3052-1012S	635-C407
FJ3052-1212S	635-C404
FJ3053-0606S	635-C301-3
FJ3053-0808S	635-C302-3
FJ3054-1010S	635-C303-3
FJ3054-1012S	635-C307-3
FJ3055-01-0606S	635-C311
FJ3055-03-0808S	635-C312
FJ3055-05-1010S	635-C313
FJ3055-06-1012S	635-C317
FJ3056-02-0808S	635-C429
FJ3056-03-1010S	635-C430
FJ3056-03-1010S	635-C430
FJ3058-01-0606S	635-C115
FJ3058-02-0808S	635-C116
FJ3058-03-1010S	635-C117
FJ3058-04-1212S	635-C118
FJ3066-0606S	635-C113
FJ3066-0808S	635-C108
FJ3066-1010S	635-C110
FJ3066-1212S	635-C111
FJ3116-01-0606S	635-C411
FJ3116-02-1010S	635-C413
FJ3116-03-0808S	635-C412
FJ3171-0606S	635-C101-1
FJ3171-0808S	635-C102-1
FJ3171-1010S	635-C103-1
FJ3230-03-0808S	635-C312-1
FJ3289-01-0808S	635-C322-1
FJ3513-0606S	635-C501
FJ3513-0808S	635-C502
FJ3513-1010S	635-C503
FJ3514-0606S	635-C521
FJ3514-0808S	635-C522
FJ3514-1010S	635-C523
FJ5984-0606S	635-C301
FJ5984-0608S	635-C305
FJ5984-0808S	635-C302

AEROQUIP #	ARCTIC WOLF #
FJ5984-0810S	635-C306
FJ5984-1010S	635-C303
FJ5984-1012S	635-C307
FJ5984-1210S	635-C308
FJ5984-1212S	635-C304
FJ5985-0606S	635-C321
FJ5985-0608S	635-C325
FJ5985-0808S	635-C322
FJ5985-0810-S	635-C326
FJ5985-1010S	635-C323
FJ5985-1012S	635-C327
FJ5985-1212S	635-C324
FJ5986-1010S	635-C103-3
FJ5986-1212S	635-C107-3
FJ5995-0606S	635-C101-3
FJ5995-0808S	635-C102-3
FT1357	635-C001
GH134-10 RL	635-238
GH134-12 RL	635-338
GH134-6 RL	635-038
GH134-8 RL	635-138



TEL # 519-485-5961 / 1-800-267-2665
 FAX # 519-485-3745 / 1-888-267-3745

PART NUMBER CROSS REFERENCE

ATCO #	ARCTIC WOLF #
1101	420-001
1102	420-101
1103	420-201
1121	420-005
1122	420-105
1123	420-205
1301	420-007
1302	420-107
1303	420-207
1312	420-109
1313	420-209
1314	420-309
1321	420-011
1322	420-111
1323	420-211
1324	420-311
1402	420-008
1423	420-212
1591	420-451
1592	420-452
1593	420-453
1594	420-454
1601	420-461
1603	420-463
3006-L	420-473
3008-L	420-474
3010-L	420-475
3012-L	420-476
3606	529-706
3608	529-708
3610-BL	529-710
3612-BL	529-712
3700	529-700
6240	420-443
6242	420-444
6243	420-424
7-1164	523-010-9
7-1186	523-036-9
7-4132	523-036-9w/adp
75001	529-700-1
75013	529-700-2
75021	529-700-3

ATCO #	ARCTIC WOLF #
7-5108	523-450-7
7-7138	523-002-9
7-7138b	523-002-9b
7-7152	523-020-9
7.9110	523-012-9
7-9111	523-066-9
7-9119	523-022-9
7-9127	523-556-7
7-9149	523-024-9
7-9169	523-063-9
7-9173	523-752-8
7-9173	523-061-9
7-9217	523-002-9
7-9220	523-040-9
7-9222	523-024-9
7-9226	523-052-9
7-9230	523-024-9
7-9231	523-799-8
B1402	535-B402
B6102	535-B102
B6103	535-B103
B6104	535-B104
BL1301	535-B301
BL1302	535-B302
BL1303	535-B303
BL1304	535-B304
BL1305	535-B305
BL1306	535-B306
BL1307	535-B307
BL1311	535-B311
BL1312	535-B312
BL1313	535-B313
BL1314	535-B314
BL1321	535-B321
BL1322	535-B322
BL1323	535-323-1
BL1323-1	535-B323
BL1325	535-B325
BL1327	535-B327
BL1401	535-B401
BL1403	535-B403
BL1407	535-B407

ATCO #	ARCTIC WOLF #
BL1411	535-B411
BL1412	535-B412
BL1413	535-B413
BL1414	535-B414
BL1421	535-B421
BL1422	535-B422
BL1423	535-B423
BL1424	535-B424
BL1701	535-B603
BL1703	535-B703
BL1721	535-B623
BL1723	535-B723
BL1801	535-B801
BL1803	535-B803
BL1811	535-B811
BL1821	535-B821
BL1823	535-B823
BL6101	535-B101
BL6101-1	535-B101-1
BL6101-3	535-B101-3
BL6102-1	535-B102-1
SB6102-3	535-SB102-3
BL6102-3	535-B102-3
BL6103-1	535-B103-1
BL6103-3	535-B103-3
BL6104-3	535-B104-3
BL6121	535-B121
BL6122	535-B122
BL6123	535-B123
BL6124	535-B124
BL6201	535-B206
BL6202	535-B202
BL6204	535-B204
SB1301	535-SB301
SB1301-3	535-SB301-3
SB1302	535-SB302
SB1302-3	535-SB302-3
SB1303	535-SB303
SB1303-3	535-SB303-3
SB1304	535-SB304
SB1305	535-SB305
SB1306	535-SB306



TEL # 519-485-5961 / 1-800-267-2665
 FAX # 519-485-3745 / 1-888-267-3745

PART NUMBER CROSS REFERENCE

KYSOR #	ARCTIC WOLF #
1010005	415-452-7
1015002	415-912-7
1017002	415-612-8
1017003	415-682-7
1075005	415-281-8
1075006	415-284-8
1075009	415-562-8
1075010	415-166-8
1075011	415-584-8
1075014	415-604-8
1075016	415-564-8
1075025	401-859-24
1075028	401-859
1075032	415-032-8
1099002	415-642-7
1099004	415-592-8
1099004	415-632-7
1099006	415-552-7
1099013	415-522-8
1099015	415-582-8
1099019	415-594-8
1099021	415-652-7
1099022	415-502-8
1099026	415-622-8
1099049	415-602-8
1099080	415-080-8
1199002	416-486
1199008	416-498
1199010	416-487
1199012	416-496
1199015	416-485
1199019	416-019
1199028	416-170
1199029	416-171
1199035	416-495
1199036	416-834
1275001	416-563
1275003	416-562
1275004	416-566
1299007	430-907
1299008	430-908
1299012	416-561

KYSOR #	ARCTIC WOLF #
1299019	416-564
1299020	416-020
1299023	430-923
1312001	422-001
1312003	422-806
1313005	422-807
1399003	422-807
1399007	422-805
1399008	422-008
1399009	422-804
1399013	422-013
1399016	422-823
1399018	422-818
1399042	422-821
1399043	422-824
1399046	422-809
1401100	520-4506
1401102	520-4510
1401108	520-4627
1404022	440-272
1407008	440-275
1407009	520-009
1407010	421-703
1407020	425-305
1407022	425-301
1407027	419-027
1407029	422-907
1408005	421-632-3
1408029	421-696-3
1409004	514-420
1409005	514-421
1575008	401-080
1575019	420-044
1575019	420-044
1612003	411-000
1613006	411-001
1614004	411-328
1619001	411-003
1675001	411-050
1675010	400-105
1675015	411-015
1675016	400-165

KYSOR #	ARCTIC WOLF #
1675017	400-168
1675019	411-019
1810003	414-321
1812004	412-131
1813001	514-406
1813002	514-414
1817001	514-399
1817002	514-002
1875001	514-412
1899005	514-408
1899006	404-238
1899006	514-412
1899008	413-021
1899008	514-413
1899009	514-4110
1899010	514-409
1899017	412-132
1899025	514-405
1910016	523-450-7
1912001	523-062-9
1912001	523-797-8
1912007	523-881-8
1912008	523-872-8
1913003	523-767-8
1913004	523-874-8
1914001	523-038-9
1914002	523-245-8
1914003	523-871-8
1915001	523-870-8
1915002	523-018-9
1915005	523-799-8
1917002	523-002-8
1917003	523-882-8
1918001	523-017-9
1918001	523-799-8
1918002	523-814-8
1975001	523-052-9
1975002	523-883-8
1975003	523-618-8
1999003	523-720-8
1999004	523-885-9
1999008	523-036-9



TEL # 519-485-5961 / 1-800-267-2665
 FAX # 519-485-3745 / 1-888-267-3745

PART NUMBER CROSS REFERENCE

KYSOR #	ARCTIC WOLF #
1999009	523-020-9
1999010	523-002-9
1999011	523-024-9
1999029	523-010-9
1999030	523-040-9
1999031	523-012-9
1999032	523-533-8
1999033	523-022-9
1999035	523-567-8
1999036	523-036-9w/adp
1999037	523-061-9
1999037	523-556-7
1999037	523-752-8
1999040	523-815-8
1999046	523-046-8
2012006	412-167
2099003	412-117
2099006	412-172
2099008	412-112
2099012	412-113
2112001	412-122
2175001	412-106
2175003	412-105
2175003	412-743
2199002	412-101
2199006	412-124
2199007	412-125
2199009	412-123
2199011	414-369
2199020	412-106-1
2199033	433-841
2199060	412-111
2211006	412-169
2211007	412-171
2212002	412-179
2212003	412-183
2212004	412-184
2213001	412-175
2213010	412-010
2275005	412-178
2299001	412-182
2299002	412-166

KYSOR #	ARCTIC WOLF #
2299003	412-550
2299004	412-168
2299004	412-500
2299005	412-180
2299006	412-181
2299007	412-176
2299009	412-182
2313001	413-202
2375001	413-203
2399003 /2399005	413-204
2399008	413-206
2399010	413-019
2399011	413-077
2399018	413-209
2399019	413-205
2475002	414-315
2475003	414-314
2475004	414-312
2499008	414-370
2499010	414-371
2575001	414-390
2575010	411-021
2575020	411-020
2599002	414-394
2599013	414-396
2599032	413-228-1
2599033	411-062
2600001	420-473
2600002	420-474
2600003	420-475
2600004	420-476
2610001	420-038-50
2610002	420-138-50
2610003	420-238-50
2610004	420-338-50
2610005	529-700
2610771	535-B204
2610771	535-SB201
2610772	535-B201
2610772	535-SB202
2610773	535-SB203
2610774	535-B203

KYSOR #	ARCTIC WOLF #
2610776	535-SB210
2610902	535-SB102-3
2610903	535-SB103-3
2610904	535-SB104-3
2611151	535-SB411
2611152	535-SB412
2611153	535-SB413
2611191	535-SB421
2611192	535-SB422
2611193	535-SB423
2611194	535-SB424
2611198	535-SB427
2611201	535-SB401
2611202	535-SB402
2611203	535-SB403
2611206	535-SB405
2611208	535-SB407
2611596	535-SB327-6
2611598	535-SB323-6
2612201	535-SB301
2612202	535-SB302
2612203	535-SB303
2612204	535-SB304
2612207	535-SB305
2612208	535-SB306
2612209	535-SB307
2612251	535-SB311
2612252	535-SB312
2612253	535-B313
2612254	535-B314
2612256	535-SB317
2612291	535-SB321
2612292	535-SB322
2612293	535-SB323
2612294	535-SB324
2612296	535-SB325
2612298	535-SB327
2612502	535-SB302-3
2612503	535-SB303-3
2612510	535-SB322-4
2612515	535-SB326-5
2612516	535-SB322-5



TEL # 519-485-5961 / 1-800-267-2665
 FAX # 519-485-3745 / 1-888-267-3745

PART NUMBER CROSS REFERENCE

KYSOR #	ARCTIC WOLF #
2612517	535-SB422-6
2612592	535-SB322-3
2612593	535-SB323-3
2612596	535-SB327-3
2799010	405-559
2799015	520-737
2799037	419-807
2799038	419-802
2799054	300-585
2799060	420-389
2799064	419-064
2799067	320-701
2799068	320-601
2799072	419-072
2799076	420-390
2799081	420-391
2799084	419-815
2799085	419-825
2799086	419-830
2799116	520-738
2799117	520-739
2799118	520-740
2899028	429-121
3175004	435-012
3175009	435-291
3199006	407-256
3199008	435-072-8
3275001	411-877
3275002	411-878
3275003	411-857
3275010	411-010
3299010	411-882
3299013	411-883
3299018	411-876
3375001	938-068
3375002	938-069
3375005	938-130
3375007	938-145
3375008	938-144
3375013	934-111
3375020	938-148
3375021	938-150

KYSOR #	ARCTIC WOLF #
3375026	942-013
3375028	942-031
3375030	942-008
3375032	942-010
3375039	942-077
3375039	942-077
3375042	942-062
3375043	942-078
3375044	942-042
3375044	942-042
3375045	942-045
3375046	942-046
3375047	938-127
3375048	938-128
3375049	934-159
3375050	934-160
3375051	936-191
3375052	936-202
3375057	938-134
3375058	938-135
3375059	934-153
3375061	934-171
3375062	934-172
3375065	934-288
3375069	934-169
3375070	934-170
3375073	936-104
3375074	936-111
3375075	936-126
3375076	936-127
3375077	936-121
3375078	936-122
3375083	936-055
3375084	936-229
3375085	936-213
3375086	936-228
3375089	938-171
3375090	938-172
3375091	942-046
3375094	936-094
3475018	407-340
3475021	430-905

KYSOR #	ARCTIC WOLF #
3475022	430-906
3475028	416-109
3475029	416-110
3475051	942-078-2
3475057	435-081-8
3475059	417-084
3475062	417-126
3475077	936-077



TEL # 519-485-5961 / 1-800-267-2665
 FAX # 519-485-3745 / 1-888-267-3745

PART NUMBER CROSS REFERENCE

RED DOT #	ARCTIC WOLF #
70R-0101	420-202
70R-0106	420-202
70R-0108	420-102
70R-0191	420-206
70R-0196	420-006
70R-0198	420-106
70R-0206	420-001
70R-0208	420-101
70R-0241	420-203
70R-0246	420-003
70R-0248	420-103
70R-0291	420-205
70R-0296	420-005
70R-0298	420-105
70R-0301	420-208
70R-0302	420-308
70R-0306	420-008
70R-0308	420-108
70R-0391	420-212
70R-0396	420-012
70R-0398	420-112
70R-0401	420-207
70R-0406	420-007
70R-0408	420-107
70R-0441	420-209
70R-0446	420-009
70R-0448	420-109
70R-0491	420-211
70R-0492	420-311
70R-0496	420-011
70R-0498	420-111
70R-0601	420-322
70R-0606	420-122
70R-0608	420-222
70R-0691	420-325
70R-0696	420-125
70R-0698	420-225
70R-0706	420-127
70R-0708	420-227
70R-0796	420-130
70R-0891	420-317
70R-2001	420-453

RED DOT #	ARCTIC WOLF #
70R-2002	420-454
70R-2006	420-451
70R-2008	420-452
70R-2011	535-B103
70R-2016	535-B101
70R-2021	420-428
70R-2026	420-426
70R-2028	420-427
70R-2051	420-478
70R-2056	420-464
70R-2061	535-B103-1
70R-2066	535-SB101-1
70R-2066S	535-SB101-1
70R-2068S	535-SB102-1
70R-2071	535-B103-3
70R-2071S	535-SB103-3
70R-2072	535-B104-3
70R-2072S	535-SB104-3
70R-2076	535-B101-3
70R-2078	535-B102-3
70R-2078S	535-SB102-3
70R-2091	535-B123
70R-2092	535-B124
70R-2096	535-B121
70R-2101	420-463
70R-2106	420-461
70R-2301	514-301
70R-2306	514-306
70R-2402	535-B204
70R-2408	535-B202
70R-3001	420-424
70R-3006	420-443
70R-3008	420-444
70R-3500	405-559
70R-4301S	535-SB403
70R-4306S	535-SB401
70R-4391S	535-SB423
70R-4396S	535-SB421
70R-4398S	535-SB422
70R-4401	535-B303
70R-4401S	535-SB303
70R-4406	535-B301

RED DOT #	ARCTIC WOLF #
70R-4406S	535-SB301
70R-4408S	535-SB302
70R-4408S	535-SF102
70R-4441	535-B313
70R-4441S	535-SB313
70R-4446	535-B311
70R-4446S	535-SB311
70R-4448S	535-SB312
70R-4491S	535-SB323
70R-4491S	535-SF123
70R-4496S	535-SB321
70R-4496S	535-SF121
70R-4498S	535-SB322
70R-4498S	535-SF122
70R-4601	535-B307
70R-4601S	535-SB307
70R-4641S	535-SB317
70R-4691	535-B327
70R-4691S	535-SB327
70R-4701S	535-SB407
70R-4791S	535-SB427
70R-5091S	535-SB327-3
70R-5100	421-745
70R-5115	429-382
70R-5210	419-856
70R-5501	420-389
70R-5550	420-389
70R-5650	420-391
70R-5801	420-475
70R-5802	420-476
70R-5806	420-473
70R-6001	535-B703
70R-6491S	535-B323-3
70R-6491S	535-SB323-3
70R-6496S	535-SB321-3
70R-6501	420-446
70R-6506	420-442
70R-6598S	535-SB322-3
70R-7001S	535-SB303-3
70R-7006	535-SB301-3
70R-7008S	535-SB302-3
70R-7650	440-166



TEL # 519-485-5961 / 1-800-267-2665
 FAX # 519-485-3745 / 1-888-267-3745

PART NUMBER CROSS REFERENCE

RED DOT #	ARCTIC WOLF #
70R-8001	635-C423
70R-8006	635-C421
70R-8091	635-C323-3
70R-8098	635-C322-3
70R-8601	635-C303
70R-8606	635-C301
70R-8696	635-C321
70R-8698	635-C322
71R-0010	412-122
71R-0100	412-123
71R-0200	412-124
71R-0400	412-125
71R-0450	412-126
71R-1150	412-105
71R-1300	433-010
71R-1310	433-007
71R-1315	433-008
71R-1450	412-172
71R-1502	412-133
71R-1620	412-800
71R-1702	412-117
71R-1704	412-118
71R-1722	412-114
71R-1902	412-115
71R-1904	412-116
71R-1912	412-115
71R-2100	413-203
71R-2250	413-208
71R-2300	413-205
71R-2310	413-209
71R-2500	413-206
71R-2600	413-200
71R-2800	413-202
71R-3100	413-211
71R-3150	413-201
71R-3200	413-204
71R-3300	413-211
71R-4030	411-059
71R-4501	412-551
71R-6020	412-150
71R-6045	412-045
71R-6060	412-175

RED DOT #	ARCTIC WOLF #
71R-6070	412-176
71R-6095	412-177
71R-6100	412-178
71R-6120	412-120
71R-6130	413-130
71R-6150	412-111
71R-6230	412-230
71R-6300	412-300
71R-7000	412-400
71R-7050	412-450
71R-7075	412-154
71R-7500	412-500
71R-7550	412-550
71R-7600	412-600
71R-7650	412-650
71R-8050	514-413
71R-8100	514-411O
71R-8150	514-405
71R-8180	514-406
71R-8200	514-414
71R-8210	514-414
71R-8220	514-410
71R-8300	514-412
71R-8300	414-314
71R-8301	514-310
71R-8310	514-412
71R-8320	514-408
71R-8370	514-412
71R-8400	514-409
71R-8423	514-423
71R-8500	414-321
71R-9002	412-131
71R-9004	412-132
72R-2140	411-876
72R-3100	411-877
72R-3110	411-878
72R-3140	411-868
72R-3200	411-879
72R-4000	417-664
72R-4010	417-661
72R-5040	414-387
72R-5210	414-382

RED DOT #	ARCTIC WOLF #
72R-5250	414-250
72R-5500	414-383
72R-6420	414-320
72R-6554	414-313
72R-7005	413-224-1
72R-7700	414-380
72R-8315	414-399
72R-9000	414-398
72R-9005	414-395
72R-9010	419-807
73R-0032	415-032-7
73R-0054	415-356
73R-0102	415-102-7
73R-0104	415-104-7
73R-0204	415-204-7
73R-0402	415-502-8
73R-0422	415-422-7
73R-0452	415-430-7
73R-0474	415-474-7
73R-0502	415-502-7
73R-0504	415-504-7
73R-0512	415-512-7
73R-0514	415-514-7
73R-0522	415-522-8
73R-0542	415-542-7
73R-0544	415-544-7
73R-0552	415-552-7
73R-0562	415-562-8
73R-0602	415-602-7
73R-0642	415-064-7
73R-0912	415-912-7
73R-2052	415-452-7
73R-4062	415-406-7
73R-4062	415-062-7
73R-4102	415-411
73R-4104	415-421MO
73R-4162	415-632-7
73R-4182	415-642-7
73R-4204	415-604-8
73R-4204	415-604-8
73R-4252	415-652-7
73R-4254	415-654-7

PART NUMBER CROSS REFERENCE

RED DOT #	ARCTIC WOLF #
73R-4262	415-662-7
73R-4322	415-682-7
73R-4324	415-684-7
73R-4422	415-442-7
73R-4602	415-612-8
73R-5000	435-200
73R-5502	401-118
73R-6250	416-487
73R-6270	416-270
73R-6350	416-489
73R-6370	416-490
73R-7000	416-494
73R-7150	416-491
73R-7200	416-492
73R-7210	416-493
73R-7252	415-604-8
73R-7252	415-604-8
73R-8050	416-560
73R-8080	416-564
73R-8100	416-562
73R-9052	430-952
73R-9054	430-954
73R-9062	430-962
73R-9064	430-964
73R-9202	430-902
73R-9204	430-904
74R 2606	523-606-7
74R-0400	523-066-9
74R-0450	523-450-7
74R-0460	523-063-9
74R-0470	523-064-9
74R-0906	523-036-9
74R-1106	523-815-8
74R-1756	523-756-7
74R-1756	523-756-7
74R-1826	523-024-9
74R-1866	523-017-9
74R-1866	523-799-8
74R-2306	523-038-9
74R-2526	523-052-9
74R-2536	523-566-7
74R-2546	523-061-9

RED DOT #	ARCTIC WOLF #
74R-2546	523-752-8
74R-2556	523-556-7
74R-2586	523-052-9
74R-2586	523-586-7
74R-2606	523-720-8
74R-2666	523-062-9
74R-2666	523-797-8
74R-2667	523-062-9
74R-2706	523-020-9
74R-3076	523-870-8
74R-3136	523-436-7
74R-3146	523-872-8
74R-3306	523-038-9
74R-3336	523-871-8
74R-3516	523-060-9
74R-3526	523-008-9
74R-3536	523-536-7
74R-4006	523-012-9
74R-4116	523-066-9
74R-4206	523-014-9
74R-5060	523-506-7
74R-5570	514-421
74R-5648	421-631-3
75R-0162	422-310
75R-0194	422-706
75R-0204	422-824
75R-0452	422-807
75R-0612	422-612
75R-0662	422-810
75R-1202	422-807
75R-1342	422-811
75R-1402	422-110
75R-4502	422-809
75R-5102	422-906
75R-5104	422-907
75R-5112	422-709
75R-5520	421-735
75R-5560	514-420
75R-5641	421-632-3
75R-5827	535-362
75R-5829	535-366
75R-6500	421-703

RED DOT #	ARCTIC WOLF #
75R-81184	520-4604
75R-8174	440-274R
75R-8174	520-4513
75R-8184	440-274N
75R-8312	520-4513
75R-8372	520-4515
75R-8374	520-4516
75R-8382	520-4510
75R-8384	520-4506
75R-8422	520-4627
75R-8442	520-7819
75R-8614	520-5015
75R-8909	520-E171N
75R-8909	520-E171
75R-8920	501-920
75R-8921	501-921
75R-89352	520-4864
77R-0620	420-620
77R-0860	420-960
77R-5240	420-240
78R-0100	420-520
78R-0200	419-815
78R-0250	419-825
78R-0300	419-830
78R-5100	435-201
78R-5285	435-285
78R-5300	435-011
78R-5340	435-020
78R-5612	435-612
79R-1510	529-700



TEL # 519-485-5961 / 1-800-267-2665
 FAX # 519-485-3745 / 1-888-267-3745

PART#	PG	PART#	PG	PART#	PG
111-051	114	401-118-24	137	411-1844C	135
203-841	90	401-463	137	411-300	188
203-845	90	401-464	137	411-300A	188
203-846	90	401-830	137	411-410	188
22546-17	85	401-835	138	411-420	188
22546-23	85	401-850	137	411-423	117
300-005	104	401-851	137	411-475	188
300-007	104	401-853	137	411-475-H	188
300-007-S	104	401-854	139	411-520	188
300-160	108	401-854-24	139	411-580	188
300-163	107	401-855	138	411-760	188
300-164	107	401-856	139	411-824	188
300-165	107	401-856-24	139	411-842	134
300-165M	107	401-857	139	411-844	133
300-166	107	401-858	138	411-844H	133
300-166M	107	401-858-12	138	411-845	133
300-167	107	401-859	138	411-846	133
300-167M	107	401-859-24	138	411-851	134
300-168	107	401-860	139	411-853	134
300-168M	107	401-900	223	411-860B	134
300-169	107	401-981	138	411-860M	134
300-169M	107	404-238	122	411-862	135
300-170	107	411-001	188	411-865	134
300-171	107	411-002	188	411-866	135
300-171M	107	411-004	188	411-867	134
300-172	107	411-005	188	411-868	134
300-585	104	411-007	188	411-875	133
300-586	104	411-008	188	411-876	133
300-605	104	411-009	188	411-877	134
300-606	104	411-011	188	411-878	134
300-607	104	411-020	119	411-879	134
300-608	104	411-021	119	411-882	133
300-611	130	411-055	119	411-911	134
300-612	130	411-056	119	411-912	135
300-613	130	411-057	119	411-917	135
300-650	104	411-058	119	411-926	188
300-682	131	411-059	119	411-927	188
300-806	85	411-062	119	411-928	188
300-812	85	411-063	119	411-960	188
307-497	20	411-064	120	411-963	188
307-498	22	411-074	117	411-966	188
307-498-8	22	411-079	120	411-972	117
307-499	20	411-110	133	411-973	117
307-564	20	411-146	188	412-000	20
307-565	25	411-161	120	412-007	112
307-985	16	411-162	120	412-010	113
320-601	104	411-164	188	412-038	106
320-701	104	411-165	188	412-077	107
320-724	104	411-169	188	412-101	105
401-118	137	411-170	188	412-102	105



TEL # 519-485-5961 / 1-800-267-2665
 FAX # 519-485-3745 / 1-888-267-3745

PART#	PG	PART#	PG	PART#	PG
412-103	105	412-182	113	414-315	127
412-105	105	412-183	113	414-320	127
412-106	106	412-184	110	414-321	121
412-106-1	106	412-185	113	414-370	127
412-107	109	412-186	113	414-371	127
412-108	109	412-187	113	414-380	128
412-109	109	412-230	113	414-382	127
412-110	109	412-299	120	414-383	127
412-111	108	412-400	109	414-384	127
412-113	107	412-450	109	414-385	127
412-114	107	412-500	111	414-387	128
412-115	107	412-550	111	414-387C	128
412-116	107	412-561	112	414-388	121
412-117	107	412-600	111	414-390	128
412-118	107	412-616	113	414-392	128
412-119	105	412-650	111	414-393	128
412-120	113	412-743	105	414-394	128
412-122	106	412-760	106	414-396	128
412-123	106	412-760-24	106	414-398	128
412-124	106	412-800	105	414-411	128
412-125	106	412-983A	105	414-412	128
412-126	106	413-019	114	414-413	128
412-149	113	413-021	126	414-414	128
412-150	113	413-077	114	415-007	140
412-151	113	413-200	114	415-045	113
412-152	110	413-201	114	415-062-7	146,147
412-153	110	413-202	114	415-064-7	142,143
412-154	110	413-203	114	415-102-7	142,143
412-155	112	413-204	114	415-104-7	143
412-156	112	413-205	114	415-120-8	146,147
412-157	110	413-207	114	415-166-8	142,143
412-158	113	413-208	114	415-204-7	143
412-159	113	413-209	114	415-204-8	142
412-163	113	413-211	114	415-281-8	142,143
412-164	113	413-228-1	120	415-284-8	142,143
412-165	113	413-228-10	118	415-313	146,147
412-166	113	413-228-3	117	415-332	146,147
412-167	107	413-228-5	117	415-355	140
412-169	113	413-228-6	117	415-356	142,143
412-170	113	413-228-7	117	415-403	146,147
412-171	113	413-228-8	117	415-406-7	146,147
412-172	107	413-229	115	415-411	146,147
412-173	107	413-229A	116	415-421MO	146,147
412-174	107	413-229B	116	415-422-7	142,143
412-175	113	414-131B	129	415-430-7	142,143
412-176	113	414-250	127	415-446	146,147
412-177	113	414-310	121	415-447	146,148
412-178	113	414-311	121	415-448	146,148
412-179	110	414-312	127	415-449	146,148
412-180	113	414-314	127	415-452-7	142,144



TEL # 519-485-5961 / 1-800-267-2665
 FAX # 519-485-3745 / 1-888-267-3745

PART#	PG	PART#	PG	PART#	PG
415-474-7	142,144	416-510	136	419-820	131
415-502-7	142,144	416-511	136	419-822	135
415-502-8	142,144	416-549	141	419-825	131
415-504-7	142,144	416-551	141	419-826B	129
415-505	142,144	416-553	141	419-827	130
415-512-7	142,144	416-556	141	419-829	135
415-514-7	142,144	416-560	141	419-830	131
415-520	146,148	416-561	141	419-840	131
415-522-8	142,144	416-562	141	419-853	132
415-542	146,148	416-563	141	419-854	132
415-542-7	142,144	416-564	141	419-855	132
415-544-7	142,144	416-565	141	419-856	132
415-552-7	142,144	416-566	141	419-865	132
415-562-8	142,145	416-834	136	419-911	130
415-564-8	142,145	417-084	242	420-001	88
415-582-8	146,148	417-126	227	420-002	89
415-584-8	146,148	417-660	136	420-003	88
415-592-8	146,148	417-717	136	420-005	88
415-594-8	146,148	418-710	131	420-006	89
415-602-7	142,145	418-710R	131	420-007	89
415-602-8	146,148	418-711	131	420-008	90
415-604-8	146,148	419-110	129	420-009	89
415-612-8	146,149	419-112	130	420-011	90
415-622-8	146,149	419-232	129	420-012	90
415-632-7	146,149	419-258B	129	420-013	88
415-642-7	146,149	419-380-120	129	420-017	88
415-652-7	146,149	419-380-120B	129	420-019	89
415-654-7	149	419-473	130	420-021	89
415-662-7	146,149	419-474	130	420-022	89
415-682-7	146,149	419-475	132	420-025	90
415-684-7	146,149	419-476	132	420-027	90
415-912-7	142,145	419-801	132	420-030	90
415-970	140	419-802-1	131	420-038	96
416-039	136	419-803	132	420-071	91
416-057	136	419-804	132	420-073	91
416-109	242	419-807	132	420-101	88
416-110	242	419-808	131	420-102	89
416-170	136	419-809	131,132	420-103	88
416-171	136	419-810	132	420-105	88
416-270	136	419-812	130	420-106	89
416-487	136	419-812-1	129	420-107	89
416-489	136	419-813	130	420-108	90
416-490	136	419-813-1	130	420-109	89
416-491	136	419-813-2	130	420-111	90
416-492	136	419-813-3	130	420-112	90
416-494	136	419-814	135	420-113	88
416-495	136	419-815	135	420-114	88
416-496	136	419-816	135	420-116	88
416-497	136	419-817	135	420-117	88
416-498	136	419-819	131	420-118	88



TEL # 519-485-5961 / 1-800-267-2665
 FAX # 519-485-3745 / 1-888-267-3745

PART#	PG	PART#	PG	PART#	PG
420-119	89	420-319	89	420-463	86
420-121	89	420-321	89	420-464	86
420-122	89	420-322	89	420-465	86
420-123	89	420-324	89	420-473	80
420-124	89	420-325	90	420-474	80
420-125	90	420-327	90	420-475	80
420-127	90	420-332	85	420-476	80
420-128	90	420-338	96	420-477	86
420-130	90	420-388	104	420-477-1	86
420-131	90	420-389	104	420-478	86
420-135	85	420-390	104	420-479	86
420-137	85	420-390-S	104	420-490	121
420-138	96	420-391	104	420-519	130
420-171	91	420-391-S	104	420-520	130
420-173	91	420-392	104	420-521	130
420-201	88	420-393	104	420-523	130
420-202	89	420-394	104	420-525	130
420-203	88	420-395-S	104	420-527	90
420-205	88	420-396	104	420-612	86
420-206	89	420-400	190	420-613	86
420-207	89	420-424	79	420-614	86
420-208	90	420-426	86	420-681	80
420-209	89	420-427	86	420-7341	189
420-211	90	420-428	86	420-7341-1	189
420-212	90	420-430	79	420-760	189
420-213	88	420-431	79	420-761	189
420-217	88	420-435	79	420-805	129
420-219	89	420-436	79	420-860	189
420-221	89	420-437	79	420-861	189
420-222	89	420-438	79	420-865	189
420-223	89	420-442	90	420-873	189
420-225	90	420-443	79	420-901	189
420-226	90	420-444	79	420-902	189
420-227	90	420-445	90	420-903	189
420-228	90	420-446	90	420-904	189
420-230	90	420-447	80	420-905	189
420-231	90	420-448	80	420-908	189
420-233	85	420-449	80	420-910	191,202
420-238	96	420-450	80	420-911	191,203
420-240	191,193	420-451	86	420-913	191,205
420-271	91	420-452	86	420-914	191,203
420-300	190	420-453	86	420-915	192,214
420-304	88	420-454	86	420-915-1	192,214
420-305	88	420-455	129	420-915-2	192,214
420-307	89	420-456	129	420-915-3	192,214
420-308	90	420-457	129	420-915-4	192,215
420-311	90	420-459	130	420-915-5	192,215
420-312	90	420-460	130	420-939	189
420-313	88	420-461	86	420-940	192,209
420-317	88	420-462	86	420-941	192,209



TEL # 519-485-5961 / 1-800-267-2665
 FAX # 519-485-3745 / 1-888-267-3745

PART#	PG	PART#	PG	PART#	PG
420-941-1	192,209	420-992-9	192,211	421-679	80
420-941-2	192,209	420-997	189	421-680	80
420-941-3	192,210	420-998	191,196	421-682	79
420-941-4	192,210	420-998-1	191,196	421-683	79
420-942	191,203	420-998-10	191,198	421-684	79
420-942-1	191,203	420-998-11	191,198	421-695	78
420-942-2	191,204	420-998-2	191,196	421-696	78
420-942-3	191,204	420-998-3	191,196	421-696-3	78
420-943	192,210	420-998-4	191,197	421-702	75
420-950	191,199	420-998-5	191,197	421-703	75
420-950-1	191,199	420-998-6	191,197	421-705	75
420-950-2	191,199	420-998-7	191,197	421-706	60
420-950-3	191,199	420-998-8	191,198	421-707	63
420-950-4	191,200	420-998-9	191,198	421-708	60
420-950-5	191,200	421-515BL	48	421-710	72
420-950-6	191,200	421-515C	48	421-713	72
420-950-7	191,200	421-515CB	48	421-714	72
420-950-8	191,201	421-515FG	49	421-724	75
420-950-9	191,201	421-515FL	49	421-7322	95
420-960	191,193	421-515FN	50	421-7323	95
420-988	191,205	421-515GK	51	421-7326	95
420-988-1	192,205	421-515GV	51	421-735	80
420-988-10	192,207	421-515JD	51	421-738	75
420-988-11	192,208	421-515K	52	421-740	60
420-988-12	192,208	421-515KC	52	421-740-1	60
420-988-2	192,205	421-515KG	52	421-741	63
420-988-3	192,206	421-515M	52	421-741-1	63
420-988-4	192,206	421-515MD	52	421-7422	95
420-988-5	192,206	421-515Q	53	421-7423	95
420-988-6	192,206	421-515QC	53	421-745	61
420-988-7	192,207	421-515QH	53	421-750	73
420-988-8	192,208	421-515QM	54	421-752	61
420-988-9	192,207	421-515TM	68	421-7722	95
420-989	192,212	421-515UB	55	421-7723	95
420-990	192,212	421-515UK	56	421-7724	95
420-990-1	192	421-515WV	59	422-001	75
420-990-2	192,212	421-520	80	422-008	75
420-990-3	192,213	421-521	80	422-011	72
420-990-4	192,213	421-523	80	422-013	75
420-990-5	192,213	421-624-3	78	422-096	75
420-990-6	192,213	421-625-3	78	422-097	75
420-991-1	212	421-628	79	422-110	62
420-992	191,193	421-629	79	422-111	75
420-992-1	191,193	421-631	78	422-210	62
420-992-2	191,194	421-631-3	78	422-295	75
420-992-3	191,194	421-632	78	422-310	62
420-992-5	191,194	421-632-3	78	422-401	72
420-992-6	191,194	421-642-3	78	422-401-24	72
420-992-7	191,195	421-643-3	78	422-403	72
420-992-8	192,211	421-678	80	422-403-24	72



TEL # 519-485-5961 / 1-800-267-2665
 FAX # 519-485-3745 / 1-888-267-3745

PART#	PG	PART#	PG	PART#	PG
422-539	75	425-304	154	430-902	151
422-612	75	425-305	154	430-905	151
422-617	64	425-306	154	430-906	151
422-617-24	64	425-307	154	430-907	141
422-704	64	425-312	154	430-908	141
422-704-24	64	426-408	153	430-923	141
422-705	63	426-412	153	430-952	141
422-706	64	426-413	153	430-954	141
422-706-2	64	426-426	153	430-962	141
422-707	64	426-429	153	430-964	141
422-707-24	64	429-121	77	433-001	108
422-708	64	429-374	77	433-002	108
422-709	63	429-382	77	433-005	108
422-710	63	429-384	77	433-007	108
422-711	64	430-001	150	433-008	108
422-712	64,75	430-002	150	433-010	108
422-799	67	430-004	150	433-080	108
422-800	67	430-006	150	433-841	108
422-801	67	430-008	150	433-842	108
422-802	67	430-009	150	433-843	108
422-803	67	430-009-C	150	435-007	153
422-804	75	430-010	150	435-011	153
422-821	62	430-011	150	435-012	153
422-824	62	430-012	150	435-014	153
422-827	62	430-013	150	435-017	153
422-906	61	430-014	150	435-020	153
422-907	61	430-014-T	150	435-021	153
422-908	74	430-016	150	435-022	153
422-909	61	430-016-24	150	435-023	153
422-911	63	430-018	150	435-072-8	153
422-911-12	63	430-019	150	435-081-8	229
422-912	61	430-019-L	150	435-201	151
422-914	74	430-020	150	435-202	151
422-915	74	430-021	150	435-210	151
422-927	64	430-022	150	435-210-1	152
422-929	60	430-023	150	435-300	151
423-069-9	157	430-024	150	435-301	151
423-400	72	430-025	150	435-302	151
423-401	72	430-026	150	435-303	151
424-005	189	430-027	150	435-304	151
424-007	189	430-028	150	435-399	152
424-008	189	430-029	150	435-401	152
424-243A	188	430-030	150	435-402	152
424-641	189	430-031	150	435-510-B	151
424-642	189	430-032	150	440-010	118
424-655	189	430-033	150	440-011	118
425-230	154	430-035	150	440-012	118
425-301	154	430-040	150	440-013	118
425-302	154	430-094	151	440-016	118
425-303	154	430-703	150	440-017	118



TEL # 519-485-5961 / 1-800-267-2665
 FAX # 519-485-3745 / 1-888-267-3745

PART#	PG	PART#	PG	PART#	PG
440-018	118	514-401	125	520-4521	27,28
440-019	118	514-402	122	520-4523	27,29
440-166	129	514-403	122	520-4526	27,29
440-230	74	514-404	122	520-4536	27,29
440-230N	74	514-405	126	520-4537	29
440-233	74	514-406	126	520-4600	33,36
440-233N	74	514-407	123	520-4602	33,36
440-270	71	514-408	123	520-4603	33,37
440-270N	71	514-409	123	520-4604	33,37
440-271N	71	514-410	125	520-4608	33,37
440-272	71	514-411O	126	520-4609	33,37
440-272N	71	514-412	123	520-4617	33,37
440-273	71	514-413	126	520-4618	33,37
440-274N	71	514-414	125	520-4627	33,38
440-274R	71	514-418	26	520-4637	33,38
440-275	76	514-420	77	520-4643	33,38
440-275-1	76	514-421	77	520-4644	33,38
440-280	74	514-423	123	520-4645	33,38
440-281	74	514-499	26	520-4646	33,38
440-281N	74	514-670	123	520-4652	33,39
440-283	74	514-674	123	520-4666	33,39
440-474-12	71	514-715	123	520-4672	33,39
440-474-12N	71	514-903	123	520-4687	33,39
440-500	72	514-921	124	520-4696	33,39
440-529	73	514-928	126	520-4698	34,39
440-530	73	514-965	124	520-4704	34,40
440-571N	71	517-024	47	520-4705	64,65
440-642	73	517-024	68	520-4706	34,40
440-643	73	520-0270	64,65	520-4708	34,40
440-644	73	520-2080	64,65	520-4709	34,40
440-645	73	520-2407	68,70	520-4711	34,40
471-500	22	520-2408	68,70	520-4715	34,40
471-550	19	520-4039	33,35	520-4717	34,41
471-600	18	520-4041	64,65	520-4718	34,41
501-273	68	520-4301	33,35	520-4726	34,41
501-275	47	520-4328	33,35	520-4731	34,41
501-275	68	520-4434	33,35	520-4734	34,41
501-276	47	520-4448	33,35	520-4736	34,41
501-277	47	520-4472	33,35	520-4738	34,42
501-278	47	520-4479	33,36	520-4741	34,42
514-002	125	520-4492	33,36	520-4742	34,42
514-026	122	520-4493	33,36	520-4743	34,42
514-262	125	520-4499	33,36	520-4744	34,42
514-301	129	520-450	76	520-4756	34,42
514-306	129	520-450-1	76	520-4762	34,43
514-310	122	520-4506	27,28	520-4765	34,43
514-390	122	520-4508	27,28	520-477-3	87
514-391	122	520-4510	27,28	520-4776	34,43
514-399	122	520-4513	27,28	520-478-3	87
514-400	125	520-4516	27,28	520-4792	34,43



TEL # 519-485-5961 / 1-800-267-2665
 FAX # 519-485-3745 / 1-888-267-3745

PART#	PG	PART#	PG	PART#	PG
520-479-3	87	520-8387	27,30	523-038-9	155,165
520-4813	34,43	520-8390	27,30	523-038-9F	157,165
520-4815	34,43	520-8478	27,30	523-038-9FB	157,165
520-4818	34,44	520-9077	27,31	523-039-9	155,166
520-4819	34,44	520-9100	71	523-040-9	157,166
520-4820	34,44	520-9103	27,31	523-041-9	155,166
520-4822	34,44	520-9105	27,31	523-042-9	155,166
520-4840	34,44	520-9120	27,31	523-046-8	167
520-4860	34,44	520-9263	27,31	523-046-9	155
520-4862	34,45	520-9285	27,31	523-052-9	155,167
520-4864	34,45	520-9514	27,32	523-060-9	155,167
520-4866	34,45	520-9519	27,32	523-061-9	155,167
520-4868	34,45	520-9592	27,32	523-061-9	167
520-4870	34,45	520-9675	27,32	523-062-9	155,168
520-4872	34,45	520-E171	68,69	523-063-9	157,168
520-4875	34,46	520-E171N	68,69	523-064-9	156-158
520-5011	64,65	520-E172	68,69	523-065-9	155,168
520-5015	64,65	520-E173	68,69	523-066-9	157,169
520-5030	64,66	520-E173N	68,69	523-066-9ADAPTE	169
520-5072	27,29	520-E174N	68,69	523-067-9	155,169
520-5073	27,29	520-E175N	68,69	523-067-9	169
520-5122	64,66	520-E176N	68,69	523-109-9	155,170
520-5425	27,30	520-E177N	68,70	523-160-9	155,170
520-6011	64,66	520-E178N	68,70	523-210-9	158,170
520-6015	64,66	520-E179N	68,70	523-245-8	155,170
520-6021	64,66	523-002-8	155,159	523-247-9	157,171
520-6030	64,66	523-002-9	155,159	523-258-9	157,171
520-6065	64,67	523-002-9F	157,159	523-260-9	155,171
520-6121	64,67	523-008-9	156,159	523-309-9	158,171
520-6333	27,30	523-011-9	155,160	523-321-9	155,172
520-6540	64,67	523-012-9	157,160	523-408-9	158,172
520-6671	27,30	523-013-9	157,160	523-417	158,172
520-7170	34,46	523-014-9	155,160	523-436-7	155,172
520-7242	64,67	523-015-9	155,161	523-450-7	157,173
520-7312	34,46	523-016-9	155,161	523-485-9	156,173
520-7320	34,46	523-017-9	155,161	523-501-9	155,173
520-737	80	523-018-9	157,161	523-506-7	158,173
520-737-1	80	523-019-9	157,162	523-533-8	155,174
520-738	80	523-020-9	155,162	523-536-7	155,174
520-738-1	80	523-021-9	157,162	523-547-9	158,174
520-739	80	523-022-9	157,162	523-554-9	155,174
520-739-1	80	523-024-9	155,163	523-556-7	155,175
520-740	80	523-025-9	155,163	523-556-9	155,175
520-740-1	80	523-026-9	157,163	523-565-9	175
520-755	80	523-027-9	155,163	523-566-7	155,175
520-756	68	523-035-9	155,164	523-567-8	155,176
520-7804	34,46	523-036-9	155,164	523-575-9	155,176
520-7819	34,46	523-036-9F	157,164	523-576-9	155,176
520-8112	34,47	523-037-9	155,164	523-583-9	155,176
520-8148	34,47	523-037-9F	157,165	523-583-9F	157,177



TEL # 519-485-5961 / 1-800-267-2665
 FAX # 519-485-3745 / 1-888-267-3745

PART#	PG	PART#	PG	PART#	PG
523-584-9	155,177	529-400	15	535-797	91
523-586-7	155,177	529-606SR	24	535-972	95
523-606-7	156,177	529-608SR	24	535-B101	82
523-618-8	157,178	529-610SR	24	535-B101-1	83
523-651-9	156,178	529-612SR	24	535-B101-3	83
523-713-9	156,178	529-688	25	535-B102	82
523-716-9	157,178	529-689	25	535-B102-1	83
523-720-8	156,179	529-690	25	535-B102-3	83
523-726-9	158,179	529-691	25	535-B103	82
523-736-9	156,179	529-700	24	535-B103-1	83
523-744-9	156,179	529-700-1	24	535-B103-3	83
523-749-9	157,180	529-700-2	24	535-B104-1	83
523-752-8	156,180	529-700-3	24	535-B104-3	83
523-756-7	156,180	529-706	24	535-B121	83
523-767-8	156,180	529-708	24	535-B122	83
523-767-8F	157,181	529-710	24	535-B122-3	81
523-797-8	156,181	529-712	24	535-B123	83
523-797-9	156,181	529-733	25	535-B123-3	81
523-799-8	156,181	529-734	25	535-B124	83
523-813-9	157,182	529-735	25	535-B202	83
523-814-8	156,182	529-736	25	535-B204	83
523-815-8	156,182	529-800	25	535-B206	83
523-839-9	157,182	529-AR300	14	535-B210	83
523-865-9	157,183	529-CR700	15	535-B301	81
523-870-8	156,183	529-UV55	21	535-B302	81
523-871-8	156,183	529-UVS2	21	535-B303	81
523-872-8	156,183	535-302-1	87	535-B304	81
523-874-8	156,184	535-302-3	87	535-B305	81
523-880-8	156,184	535-303-1	87	535-B306	81
523-881-8	156,184	535-303-3	87	535-B307	81
523-882-8	158,184	535-311-1	87	535-B308	81
523-883-8	156,185	535-312-1	87	535-B311	81
523-883-9	156,185	535-312-3	87	535-B313	81
523-884-9	158,185	535-313-1	87	535-B313-3	81
523-900-9	157,185	535-313-3	87	535-B315	81
523-900-A	186	535-322-1	87	535-B317	81
523-985-9	156,186	535-323-1	87	535-B321	82
523-986-9	157,186	535-323-3	88	535-B322	82
523-987-9	157,186	535-350	18	535-B322-1	82
523-988-3	156,187	535-361	77	535-B322F	81
523-989-9	156,187	535-362	77	535-B323	82
523-994-9	156,187	535-363	77	535-B323-1	82
523-996-9	156,187	535-364	77	535-B325	82
523-996-9	157	535-365	77	535-B326	82
529-3000	23	535-366	77	535-B327	82
529-3006	23	535-523-1	87	535-B328	82
529-3008	23	535-792	91	535-B401	82
529-3010	23	535-793	91	535-B403	82
529-3012	23	535-795	91	535-B403-1	82
529-3100	23	535-796	91	535-B407	82



TEL # 519-485-5961 / 1-800-267-2665
 FAX # 519-485-3745 / 1-888-267-3745

PART#	PG	PART#	PG	PART#	PG
535-B423	82	535-SB308	93	635-C103-1	102
535-B425	82	535-SB311	94	635-C103-3	102
535-B427	82	535-SB312	94	635-C104	102
535-B603	91	535-SB313	94	635-C105	102
535-B623	91	535-SB313-3	94	635-C106	102
535-B703	91	535-SB315	94	635-C107	102
535-B723	91	535-SB317	94	635-C107-3	102
535-B801	84	535-SB321	93	635-C108	102
535-B802	84	535-SB321-3	93	635-C109	102
535-B803	84	535-SB322	93	635-C110	102
535-B811	84	535-SB322-3	93	635-C111	102
535-B821	84	535-SB322SD	93	635-C112	102
535-B823	84	535-SB323	93	635-C115	102
535-RB071	92	535-SB323-3	93	635-C116	102
535-RB301	92	535-SB324	93	635-C117	102
535-RB302	92	535-SB325	93	635-C118	102
535-RB303	92	535-SB326	93	635-C301	100
535-RB311	92	535-SB327	93	635-C301-3	100
535-RB313	92	535-SB327-3	93	635-C302	100
535-RB321	92	535-SB328	93	635-C302-3	100
535-RB323	92	535-SB401	94	635-C303	100
535-RB327	92	535-SB402	94	635-C303-3	100
535-RB995	92	535-SB403	94	635-C304	100
535-RB997	92	535-SB404	94	635-C305	100
535-SB101	82	535-SB405	94	635-C306	100
535-SB101-1	83	535-SB411	94	635-C307	100
535-SB101-3	94	535-SB413	94	635-C307-3	100
535-SB102	82	535-SB421	94	635-C308	100
535-SB102-1	83	535-SB422	94	635-C311	100
535-SB102-3	94	535-SB423	94	635-C312	100
535-SB103	82	535-SB424	94	635-C313	100
535-SB103-1	83	535-SB425	94	635-C317	100
535-SB103-3	94	535-SB427	94	635-C321	100
535-SB104-3	94	600-400	16	635-C321-3	101
535-SB106	82	635-038	97	635-C322	100
535-SB201	83	635-06	103	635-C322-3	101
535-SB202	83	635-08	103	635-C323	100
535-SB203	83	635-10	103	635-C323-3	101
535-SB210	83	635-101	103	635-C324	100
535-SB301	93	635-102	103	635-C325	100
535-SB301-3	93	635-12	103	635-C326	100
535-SB302	93	635-138	97	635-C327	100
535-SB302-3	93	635-238	97	635-C327-3	101
535-SB303	93	635-338	97	635-C381	103
535-SB303-3	93	635-C001	103	635-C382	103
535-SB304	93	635-C002	103	635-C383	103
535-SB305	93	635-C101-1	102	635-C384	103
535-SB306	93	635-C101-3	102	635-C391	103
535-SB307	93	635-C102-1	102	635-C392	103
535-SB307-3	93	635-C102-3	102	635-C393	103



TEL # 519-485-5961 / 1-800-267-2665
 FAX # 519-485-3745 / 1-888-267-3745

PART#	PG	PART#	PG	PART#	PG
635-C394	103	784-006	19	938-144	232
635-C401	101	784-007	19	938-145	232
635-C402	101	784-008	18	938-148	233
635-C403	101	784-009	18	938-150	234
635-C404	101	784-011	17	942-008	228
635-C405	101	784-012	26	942-010	228
635-C407	101	784-250	17	942-042	227
635-C408	101	784-500	17	942-046	227
635-C409	101	784-972	17	942-062	228
635-C410	101	784-996	17	942-077	226
635-C411	101	789-972	17	942-078	228
635-C412	101	789-996	17	DTZ/ALLIS 6080	76
635-C413	101	791-003	18	DTZ/ALLIS CONV	76
635-C421	101	791-411	18	FORD CONVERSION	76
635-C422	101	791-412	18	H-8500	220
635-C423	101	791-413	17	HA-100-12-HD	218
635-C424	101	791-500	19	HA-100-24-HD	218
635-C425	101	793-091	16	HA-1200-2	224
635-C426	101	793-450	16	HA-1210	224
635-C427	101	793-451	16	HA-12VDC-DD	224
635-C429	101	800-131	21	HA-12VDC-SD	224
635-C430	101	800-132	21	HA-12VDC-SDDC	224
635-C501	101	800-135	21	HA-12VDC-SDDCH	224
635-C502	101	800-780	21	HA-12VDC-SDH	224
635-C503	101	800-790	21	HA-1500	221
635-C521	101	901-000	222	HA901	219
635-C522	101	901-001LG	222	HA901-24	219
635-C523	101	934-111	235	K ROOFTOP 12V	223
635-M06-06-06	102	934-153	231	K ROOFTOP 24V	223
700-100	80	934-159	229	TS-37	25
722-706-24	64	934-160	229	TS-57	25
727-072	17	934-169	238		
727-096	17	934-170	238		
727-240B	17	934-171	237		
727-240R	17	934-172	237		
727-272	17	936-055	242		
727-296	17	936-094	239		
727-672	17	936-104	240		
727-696	17	936-111	240		
727-972	17	936-121	241		
727-996	17	936-122	241		
727CCW-516	141	936-191	243		
741-301	17	936-202	243		
741-302	17	936-229	242		
741-303	17	938-068	230		
784-001	19	938-069	230		
784-003	18	938-127	229		
784-003-S	18	938-128	229		
784-004	19	938-134	236		
784-005	19	938-135	236		