

# NO IDLE ARCTIC BREEZE TRUCK A/C SYSTEM

12VDC/24VDC

## TRUCK • HEAVY EQUIPMENT

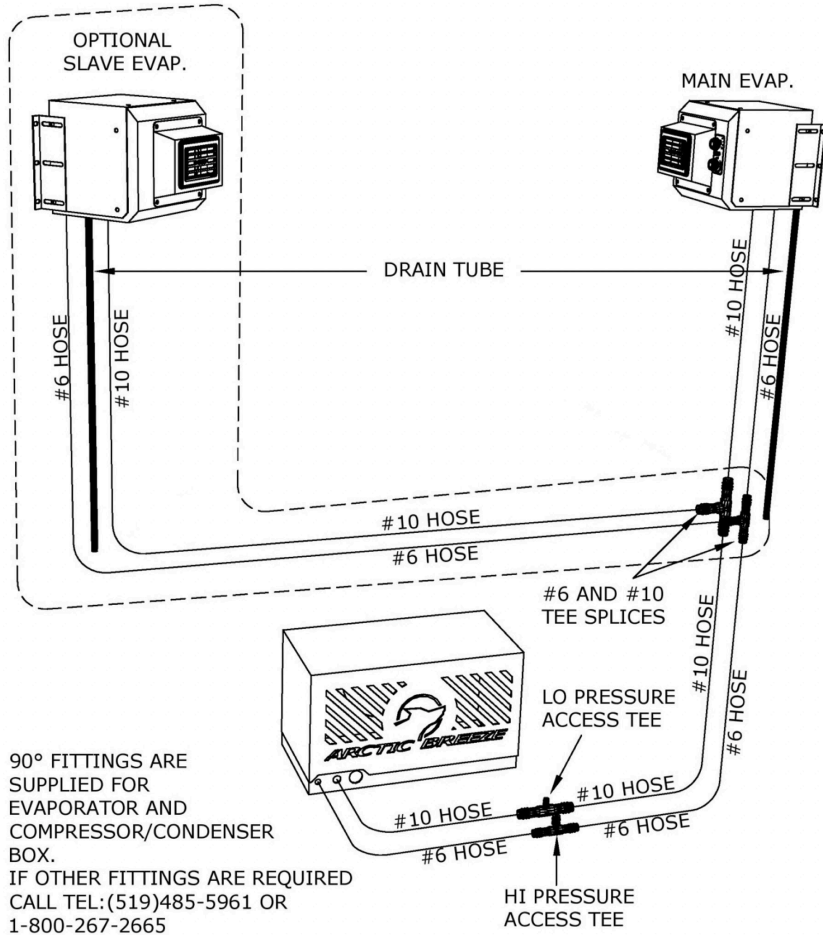
The 12VDC/24VDC Arctic Breeze Truck A/C System lets you stay cool while not idling your engine, saving you money on fuel, maintenance, and machine hours. Utilizes standard automotive A/C components for ease of serviceability.

The condenser/compressor box is made from 1/8" aluminum and can be mounted directly behind the cab or hung off the frame rails with the brackets provided. The standard set-up requires 27 1/4" of

frame rail space and extends 19 1/2" from the frame. An optional space saving design utilizes 16" of frame rail space and extends 26 1/2" out from the frame. It features a removable lid for easy access to all the components. The condenser utilizes 2 power fans to better dissipate the heat, and the evaporator assembly incorporates a highly efficient blower to provide more air circulation in the cab/sleeper. The evaporator can be mounted on a shelf, directly on the back wall of the cab, or in a storage compartment (sleeper applications).



## 12VDC TRUCK UNIT A/C HOSE PLUMBING





# NO IDLE ARCTIC BREEZE SPLIT A/C SYSTEM

12VDC/24VDC

## TRUCK • HEAVY EQUIPMENT

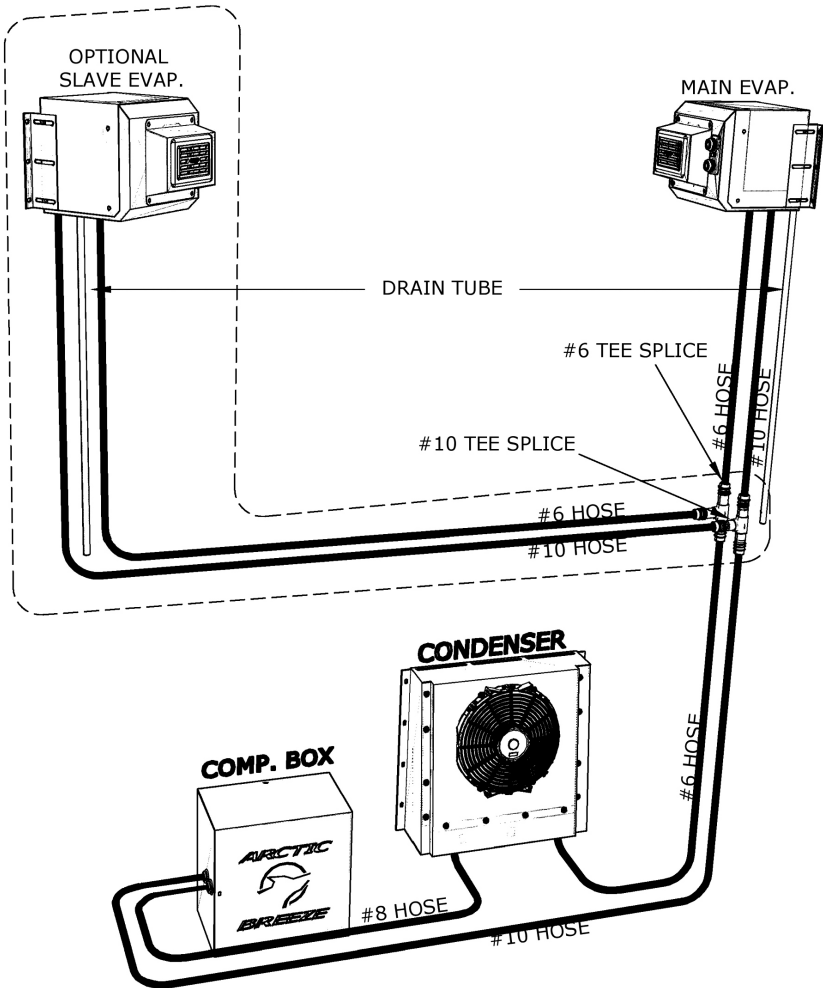
The 12VDC/24VDC Arctic Breeze Truck A/C Split System lets you stay cool while not idling your engine, saving you money on fuel, maintenance, and machine hours. Utilizes standard automotive A/C components for ease of serviceability.

This variation of our original 12VDC/24VDC No Idle Arctic Breeze A/C System is perfect for trucks and heavy equipment that don't have the space to mount the condenser/compressor box. This

system utilizes a compressor/motor box that can be mounted inside the bunk of your cab, beneath the bed or anywhere there is space on your heavy equipment. A remote power condenser can be mounted on the back of a cab. Mounting locations are flexible for your specific needs. It features a removable lid for easy access to all the components. The condenser utilizes a power fan to better dissipate the heat, and the evaporator assembly incorporates a highly efficient blower to provide more air circulation in the cab/sleeper.



## 12VDC SPLIT A/C HOSE PLUMBING DIAGRAM





# EVAPORATOR — WALL MOUNT

## 520-12VDC-210SP

UNIVERSAL • TRUCKS

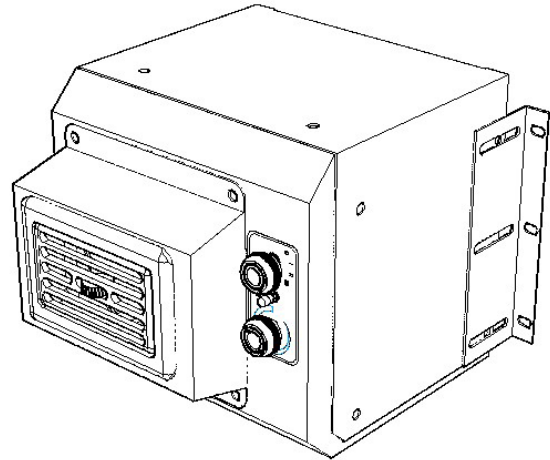
Steel small single blower A/C only evaporator assembly.

**Not Sure What To Order?  
We Can Help . . .**

See the A/C System  
Configuration Worksheet  
on the last page of this catalog.

<https://www.hammondac.com>

800-267-2665

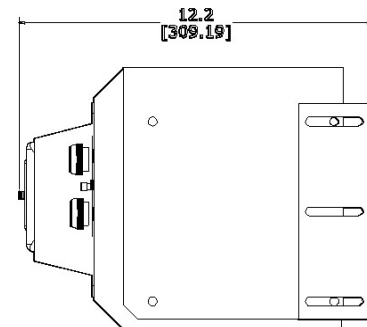
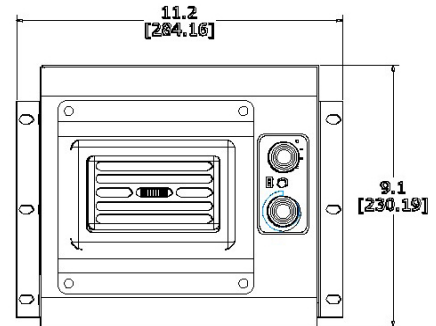


### PART NO.

**520-12VDC-210SP** .....12VDC

### SHIPPING NOTICE

This unit can be shipped by UPS  
or LTL.



### SPECIFICATIONS

Air Flow.....306 CFM  
Capacity.....14,000 BTU  
Current Draw .....10 amps @ 12VDC .....5 amps @ 24VDC  
Weight .....13 LBS  
Coil .....Aluminum  
Dimensions.....12.2" L x 11.2" W x 9.1" H  
Motor .....Low / Med / High 3 Speed Scroll Blower

**OPTIONS** • 24VDC Available upon request

### SERVICE PARTS

#### Part No.

411-300-100.....Evaporator Coil Assembly  
514-410 .....Expansion Valve  
401-864A.....Blower Assembly, 12VDC  
111-051 .....Rotary Thermostat  
411-110 .....Louver

#### Part No.

412-102 .....4 Position Switch  
411-064 .....Snowflake Knob  
411-058 .....Fan Control Knob  
314-004-154.....Main Wiring Harness  
318-002-241 .....Wiring Harness

# CONDENSER — WALL MOUNT

# K TCK COND SPLIT

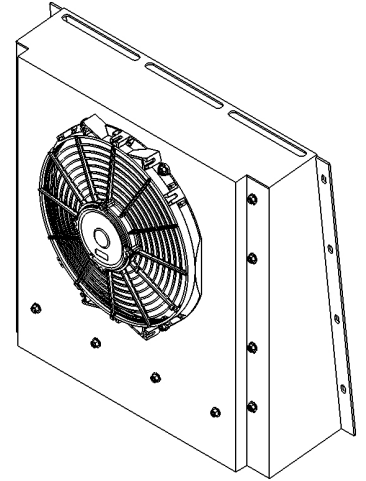
UNIVERSAL • HIGHWAY TRUCKS

4 row copper/aluminum coil with diamond plate aluminum shroud and one 11" power fan and drier.

**Not Sure What To Order?  
We Can Help . . .**

**See the A/C System  
Configuration Worksheet  
on the last page of this catalog.**

<https://www.hammondac.com>  
**800-267-2665**



**PART NO.**

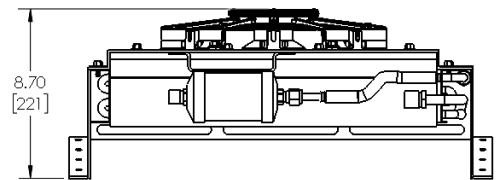
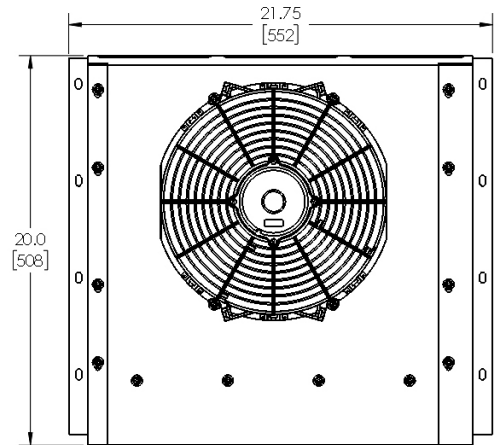
**K TCK COND SPLIT** ..... 12VDC

**SHIPPING NOTICE**

This unit can be shipped by UPS or LTL.

**SPECIFICATIONS**

Air Flow.....932 CFM  
Capacity.....28,000 BTU/hr  
Current Draw .....9 amps @ 12VDC  
Weight .....30 LBS  
Condenser Coil .....Copper Tubing Aluminum Fin  
Dimensions.....21.75" L x 20" W x 8.70" H  
Motor ..... 11" Condenser Fan



- OPTIONS**
- 24VDC Available upon request
  - Stainless Steel Shroud

**SERVICE PARTS**

<b>Part No.</b>	
420-909 .....	Condenser Coil
430-002 .....	11" Power Fan - 12VDC Puller
523-450-7 .....	Receiver Drier